

VDA-PMT-AIDOME Pendant pipe mount, indoor, for FLEXIDOME

www.boschsecurity.com



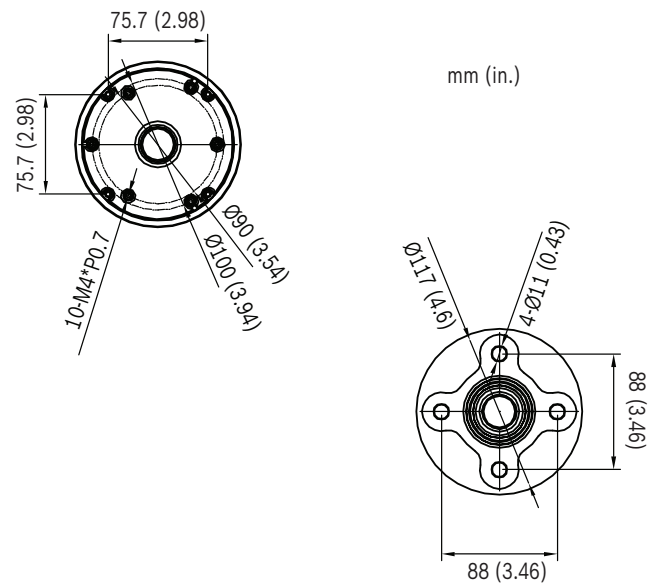
BOSCH
Invented for life

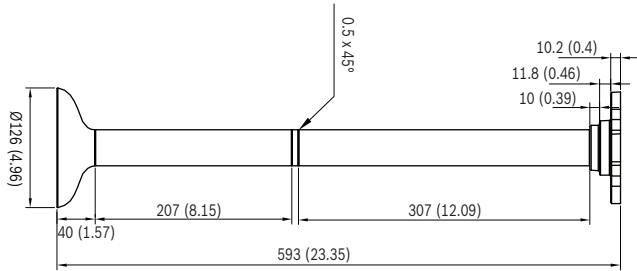


- ▶ Hollow core for cable-free appearance
- ▶ Tough 4-bolt anchoring
- ▶ Anti-rust treated
- ▶ Metric/imperial thread adapter included

This pipe mount is specifically designed for indoor dome cameras.
An adapter is included to convert between metric and imperial thread sizes (M35 female to 3/4 inch female).

Installation/configuration notes





Parts included

Quantity	Component
1	Pipe mount
1	Pipe thread adapter (M35 female to 1/4 inch female)
	Attachment components

Technical specifications

Construction material	Aluminum alloy
Finish	RAL 9003 signal white

Ordering information

VDA-PMT-AIDOME Pendant pipe mount,indoor,for FLEXIDOME

Indoor pendant pipe mount for dome cameras.
Order number **VDA-PMT-AIDOME**

Represented by:

Europe, Middle East, Africa:
Bosch Security Systems B.V.
P.O. Box 80002
5600 JB Eindhoven, The Netherlands
Phone: + 31 40 2577 284
emea.securitysystems@bosch.com
emea.boschsecurity.com

Germany:
Bosch Sicherheitssysteme GmbH
Robert-Bosch-Ring 5
85630 Grasbrunn
Germany
www.boschsecurity.com

North America:
Bosch Security Systems, Inc.
130 Perinton Parkway
Fairport, New York, 14450, USA
Phone: +1 800 289 0096
Fax: +1 585 223 9180
onlinehelp@us.bosch.com
www.boschsecurity.us

Asia-Pacific:
Robert Bosch (SEA) Pte Ltd, Security Systems
11 Bishan Street 21
Singapore 573943
Phone: +65 6571 2808
Fax: +65 6571 2699
apr.securitysystems@bosch.com
www.boschsecurity.asia