

Affects: 9000 Series/D9412G-D7412G Operation and Installation Manuals

In the *9000 Series Operation and Installation Manual* (P/N: 74-07692-000) and the *D9412G/D7412G Operation and Installation Manual* (P/N: 43488D or earlier), Section 4.2.3 Replacing the Battery incorrectly states the battery support capacity of the D8132 Battery Charger as 36 Ah.

The correct capacity of the D8132 Battery Charger is 27 Ah.

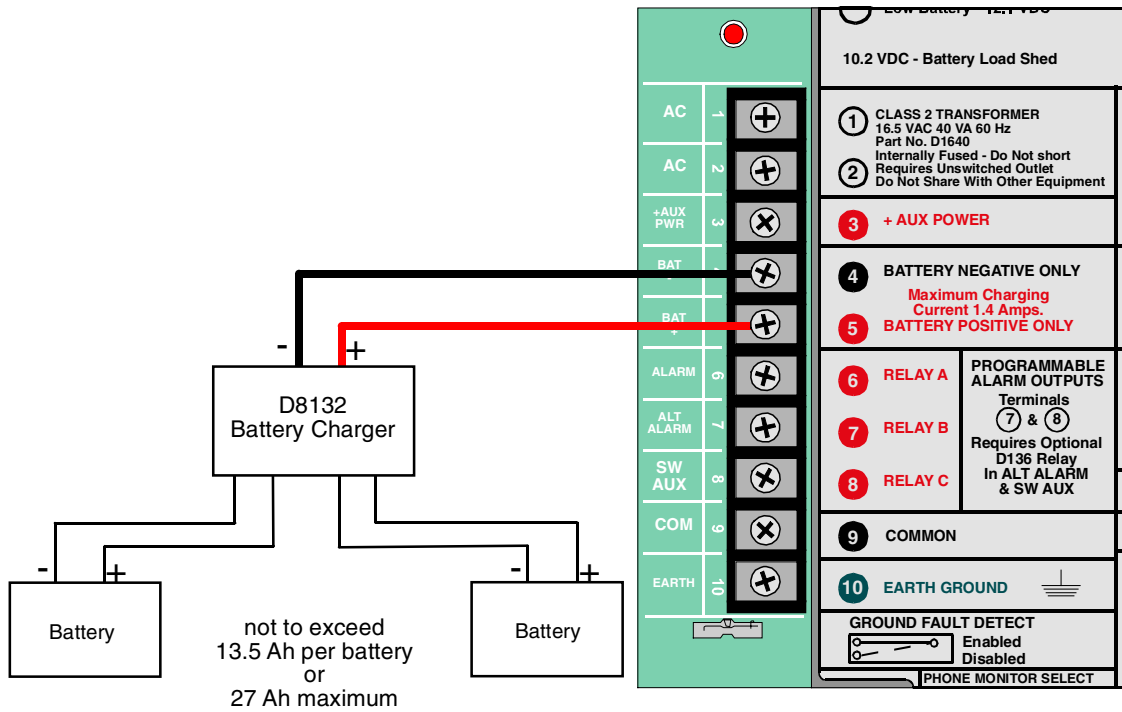


Figure 1: D8132 Battery Charger connection to a 9000 Series Panel



