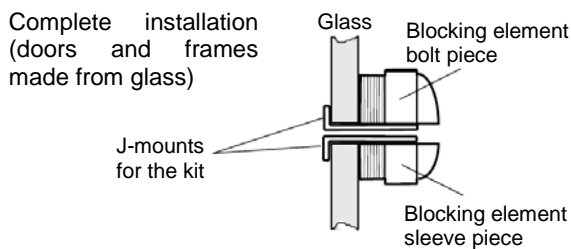


## General

The J-mounts for the kit are screwed to the metal mounts for the on-door kit, so that the blocking element can also be fitted on glass doors.

- **Glass doors with non-glass frames**  
Use a J-mount and screw it onto the metal mount for the sleeve piece.
- **Doors and frames both made from glass**  
Use both J-mounts and screw one onto each metal mount for the sleeve piece and the bolt. (Start with the sleeve piece.)

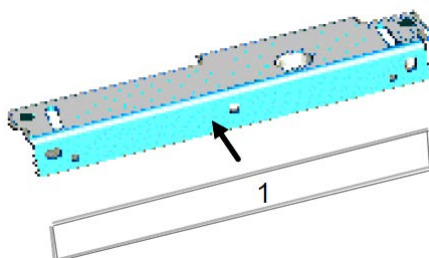


### Note:

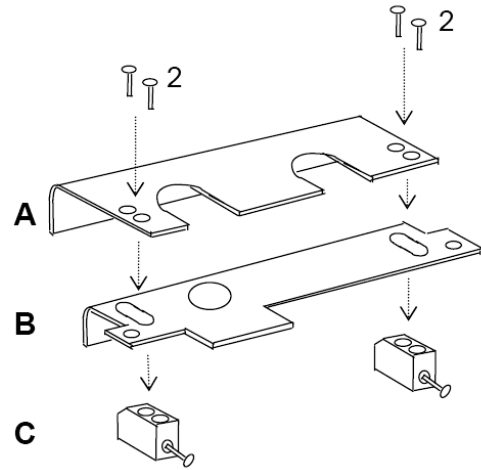
By default, the kit is installed with the blocking element positioned horizontally on the top edge of the door. Depending on the conditions at a particular installation site, a vertical installation on the front edge may also be possible.

## Mounting

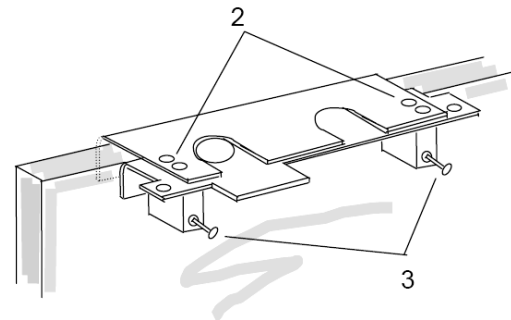
1. **Blocking element sleeve piece or bolt piece:**  
Glue the enclosed foil strips (1) onto the narrow side of the metal mount.



2. Join the J-mount for the kit (A) and the metal mount for the blocking element (B) together as shown below. Fix the brass blocks (C) in place with the screws (2), without tightening the screws fully.



3. Wedge the glass in the gap between (A) and (B) and tighten the screws (2) fully, once you have found the final installation position.
4. Tighten the screws (3) on the brass blocks to tension the mounting.



5. Continue the installation of the blocking element, magnet contact and covers according to the information in the installation instructions for the on-door kit.

