

## FCC/IC Information

This device complies with Part 15 FCC Rules and Industry Canada's license-exempt RSSs. Operation is subject to these conditions: (1) this device may not cause harmful interference, and (2) this device must accept any interference received including interference that may cause undesired operation.

### Notice!



For the full FCC/IC information, refer to the *Security Escort Personnel Transmitter Installation Manual*, downloadable from <http://www.boschsecurity.com>.

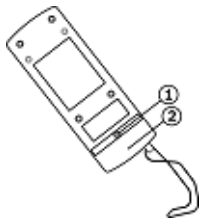
## Other Certification Information

Complies with  
IMDA Standards  
DA105282

## Installation and Setup

This section provides information for system planners and configurators.

### Removing the Cover



#### No. Parts

- 1 Retaining screw
- 2 Lower part

### Instructions

1. Remove the belt clip, if used.
2. Remove the retaining screw on the back of the enclosure.
3. Use a flat-head screwdriver to pry the lower part of the front cover away from the enclosure.

## Battery

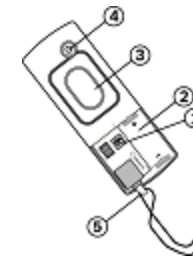
The transmitter uses a CR2 3V lithium battery. The Central Console indicates when the battery is low and needs replacement. Refer to Enabling and Disabling Features for battery polarity. The battery's life depends on usage and enabled features.

### Caution!



Replacement of the battery with an incorrect type is subject to the risk of explosion. Batteries must not be disposed of in household waste to avoid the risk of explosion.

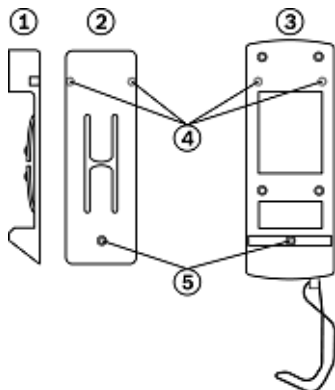
## Enabling and Disabling Features



#### No. Parts

- 1 Dip switch selection
- 2 Battery compartment
- 3 Alarm button
- 4 Test button
- 5 Lanyard

## Wearing the Transmitter



1	Side view of clip	4	Screw holes (mandatory)
2	Clip	5	Screw holes (optional)
3	Back of transmitter		

This transmitter includes a clip you can wear over a pocket/belt, or firmly fixed to a belt. To wear it over a pocket/belt, secure the clip to the transmitter at the two top positions (no. 4) using the screws provided. To fix the transmitter firmly on a belt, secure the clip to the transmitter at the two top positions (no. 4), and at the bottom location (no. 5) using the screw that secures the battery door.

The clip is designed to be worn on a security type utility belt. If worn on a thin belt, be aware that a loose fit may trigger a Man-down Alarm (if enabled) when you move too much.

## Selecting Transmitter Radio Frequency

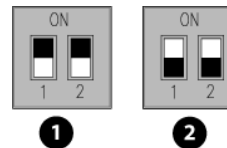


Fig. 1: Dip Switch Selection

Setting	SW1	SW2	Transmitter Model
			SE-TRM-433T01
1	OFF	OFF	433.42 MHz (default)
2	ON	ON	For factory reset

For SE-TRM-433T01, only RF 433.42 MHz is supported, where both dip switches 1 and 2 are set to the OFF position as default. Configuring the dip switch to other settings will disable the alarm communication between the transmitter and the receiver.

### Notice!



Remove the battery before setting the dip switches. **Changes to the dip switches should be performed by administrators only.**

The transmitter emits 3 beep tones if RF is set as 433.42 MHz.

The transmitter emits 2 slow consecutive beep tones every 1 second if dip switch is set for factory reset.

### Factory Reset

**Factory reset should be performed by administrators only.** Set both dip switches 1 and 2 to the ON position. While pressing the Test and Alarm buttons, the transmitter resets after inserting the battery. If reset is successful, there will be 3 slow consecutive beep tones every 1 second. After a successful reset, select the transmitter RF by setting the dip switches. If reset is unsuccessful, there will be 2 slow consecutive beep tones every 1 second.

Refer to the following list of values that are being set for the respective features following the factory reset.

Default Setting	
Feature	Value
Transmitter Profile	Security
Man-down	Disabled
Supervision Tracking	Disabled
Lanyard	Disabled
Supervision Tracking Interval	90 secs
Man-down Pre Beep Duration	5 secs

Tab. 1: Factory Reset Features

### Configuring the Transmitter

All factory reset features can be configured wirelessly on the transmitter via the coordinator/receiver using the Central Console software. Enroll transmitter to the Central Console software before configuration.

Features	Transmitter Profiles		
	User	Maintenance	Security
Manual Alarm (Silent)			✓

By default, all features emit a series of mixed tones unless otherwise stated as silent.

### Transmitting a Manual Alarm

Initiate an alarm by pressing and holding the Alarm button for 1 second.

Reset the transmitter after a manual alarm by performing a test mode as described in Testing the Transmitter.

### Man-down Alarm

Whenever you are in a prone position (60° from upright), the transmitter sends an alarm signal.

### Testing the Transmitter

Test your transmitter by standing within sight of a receiver. While holding down the Test button, press the Alarm button until the transmitter emits 3 short beep tones.

A successful test transmission will light up the green LED on a receiver; retest if otherwise.

### Activating Configuration Mode

Configuration mode on the transmitter is activated by entering the test mode. Note that this mode is unavailable if Man-down or Lanyard snatch alarms are triggered and active.

### Exiting Configuration Mode

The transmitter exits configuration mode automatically once the configuration has been transferred successfully to the transmitter. If no coordinator/receiver is present, exit the configuration mode by pressing the Test button.

Reset the transmitter after a Man-down Alarm by returning the transmitter to the upright position and performing a test mode.

### Lanyard Snatch Alarm

Initiate an alarm by pulling the lanyard off the transmitter.

To reset the transmitter after a Lanyard Snatch Alarm, reinsert the lanyard pin and perform a test mode.

### Auto-tracking

The Auto-tracking feature sends the latest location to the Central Console every 7 seconds after an alarm is triggered.

### Upgrading Transmitter Firmware

Transmitter firmware can be upgraded wirelessly via a dedicated coordinator using the Utility Tool of the Security Escort software.

### Basic Transmitter Features

This section provides information of the various features of the transmitter.

### Features for Transmitter Profiles

The table below lists the various transmitter profiles and their features:

Features	Transmitter Profiles		
	User	Maintenance	Security
Man-down	✓	✓	✓
Supervision Tracking (Silent)	✓	✓	✓
Auto-tracking	✓		✓
Lanyard Snatch Alarm	✓		
Lanyard Snatch Alarm (Silent)			✓
Manual Alarm	✓	✓	



Security Escort Personnel Transmitter  
SE-TRM-433T01



en Quick Installation Guide

### Robert Bosch (SEA) Pte Ltd

11 Bishan Street 21  
573943 Singapore  
Singapore

[www.boschsecurity.com](http://www.boschsecurity.com)

© Robert Bosch (SEA) Pte Ltd, 2017

### Bosch Sicherheitssysteme GmbH

Robert-Bosch-Ring 5  
85630 Grasbrunn  
Germany

© Bosch Sicherheitssysteme GmbH, 2017