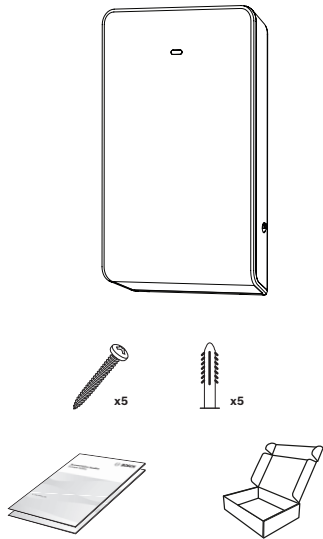
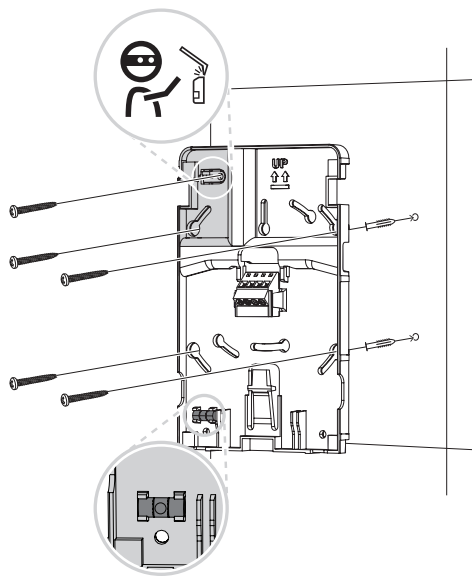


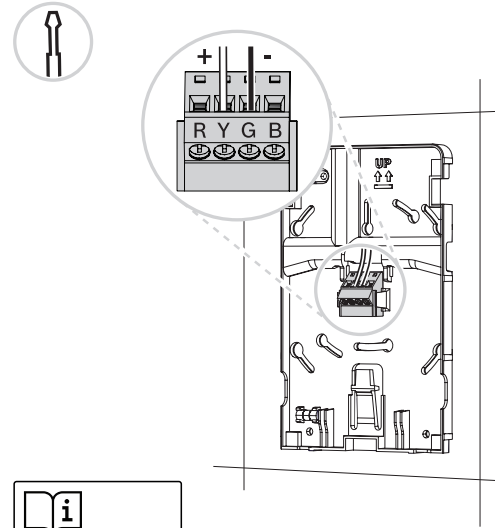
1 |




2 |

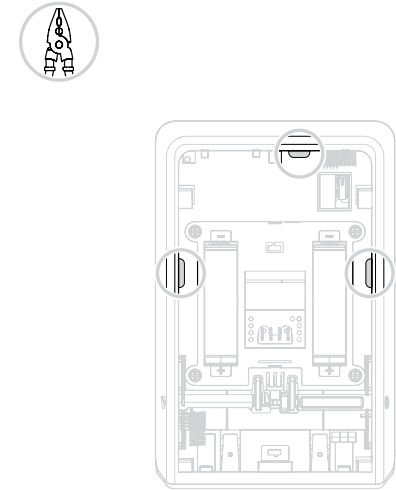


3 |

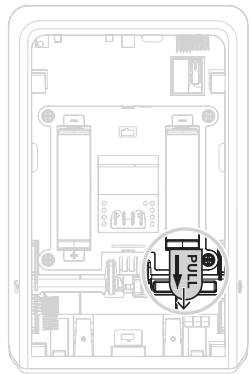



  
 F.01U.261.834 - B810  
 F.01U.352.258 - B810-CHI  
 F.01U.261.835 - RFRC-OPT  
 F.01U.261.836 - RFRC-OPT-CHI  
 F.01U.304.538 - RFRC-STR

4 |

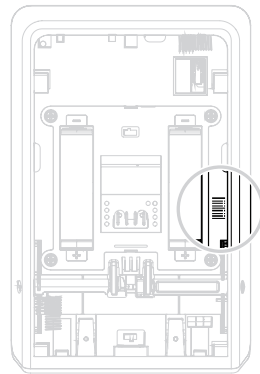



5 |



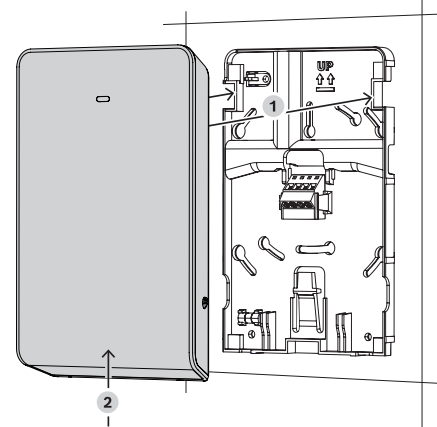
  
 F.01U.261.834 - B810  
 F.01U.352.258 - B810-CHI  
 F.01U.261.835 - RFRC-OPT  
 F.01U.261.836 - RFRC-OPT-CHI  
 F.01U.304.538 - RFRC-STR

6 |

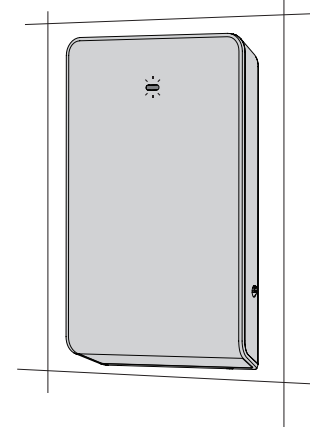



  
 F.01U.261.834 - B810  
 F.01U.352.258 - B810-CHI  
 F.01U.261.835 - RFRC-OPT  
 F.01U.261.836 - RFRC-OPT-CHI  
 F.01U.304.538 - RFRC-STR

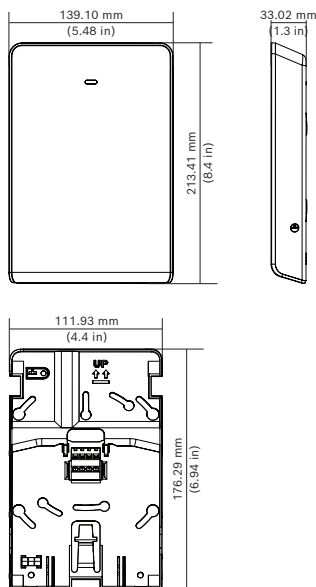
7 |



8 |



  
 F.01U.261.834 - B810  
 F.01U.352.258 - B810-CHI  
 F.01U.261.835 - RFRC-OPT  
 F.01U.261.836 - RFRC-OPT-CHI  
 F.01U.304.538 - RFRC-STR



|  |   |
|--|---|
|  | WEEE Directive, Waste Electrical and Electronic Equipment, must be disposed of in accordance with local regulations |
|  | IN DOOR USE ONLY  |
|  | 3.6Vdc, 3180 mAh (Not user replaceable)   |
|  | 433.42 MHz<br>10 mW maximum   |
|  | 0 - 93% Non-condensing humidity   |
|  | Functional range: -10°C to +49°C (+14°F to +120°F)<br>UL only: 0°C to +49°C (+32°F to +120°F)                       |

| Region    | Agency | Certification       |
|-----------|--------|---------------------|
| USA       |        | FCC ID: T3X-RWS2    |
|           |        | UL File BP1448      |
| Canada    | ISED   | ISED ID: 1249A-RWS2 |
| Australia |        | LoA 3362-01         |

## RADION repeater RFRP2



en Quick installation guide

### FCC

This device complies with part 15 of the FCC Rules. Operation is subject to the following two conditions: (1) This device may not cause harmful interference, and (2) this device must accept any interference received, including interference that may cause undesired operation.

Caution: Changes or modifications not expressly approved by the party responsible for compliance could void the user's authority to operate this equipment.

### Industry Canada (IC) Rules

This device complies with Industry Canada licence-exempt RSS standard(s). Operation is subject to the following two conditions: (1) this device may not cause interference, and (2) this device must accept any interference, including interference that may cause undesired operation of the device.

Cet appareil est conforme avec Industrie Canada exempts de licence standard RSS (s). Son fonctionnement est soumis aux deux conditions suivantes:

(1) cet appareil ne doit pas provoquer d'interférences et (2) cet appareil doit accepter toute interférence, y compris celles pouvant causer un mauvais fonctionnement de l'appareil.

### Health Canada RF Exposure Warning Statement

This device complies with Health Canada's Safety Code. The installer of this device should

ensure that RF radiation is not emitted in excess of the Health Canada's requirement. Information can be obtained at [http://www.hc-sc.gc.ca/ewh-semt/pubs/radiation/radio\\_guide-lignes\\_direct/index-eng.php](http://www.hc-sc.gc.ca/ewh-semt/pubs/radiation/radio_guide-lignes_direct/index-eng.php)

Cet appareil est conforme avec Santé Canada Code de sécurité 6. Le programme d'installation de cet appareil doit s'assurer que les rayonnements RF n'est pas émis au-delà de l'exigence de Santé Canada. Les informations peuvent être obtenues: [http://www.hc-sc.gc.ca/ewh-semt/pubs/radiation/radio\\_guide-lignes\\_direct/index-fra.php](http://www.hc-sc.gc.ca/ewh-semt/pubs/radiation/radio_guide-lignes_direct/index-fra.php)

### Bosch Security Systems B.V.

Torenallee 49  
5617 BA Eindhoven  
Netherlands

[www.boschsecurity.com](http://www.boschsecurity.com)

© Bosch Security Systems B.V., 2021