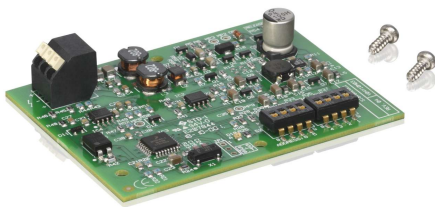


PVA-1WEOL End-of-line supervision module

www.boschsecurity.com



BOSCH
Invented for life



- ▶ Compatible with 100 V, 70 V, or 50 V loudspeaker lines
- ▶ Module is powered via loudspeaker line (pilot tone)
- ▶ A single loudspeaker line can have multiple modules
- ▶ Up to 60 modules can be connected to one amplifier output channel
- ▶ EN 54-16 system certification

The End-of-line (EOL) supervision module monitors the integrity of a loudspeaker line and can be used in applications where continuous business music is requested.

In combination with the EOL master, integrated in every Controller and Router of the PAVIRO system, the loudspeaker line can be monitored for short and open circuits.

The status LED on the module can be used to check the installation. For more information, refer to the user documentation for the IRIS-Net, Controller or Router.

Certifications and approvals

Emergency standard certifications

Europe	EN 54-16
--------	----------

Environmental directive compliance

Safety	EN 60065
Immunity	EN 50130-4
Emissions	EN 61000-6-3 ICES-003 FCC-47 part 15B class A

Environmental directive compliance

Environment	EN 50581
Maritime	EN 60945

Conformity

Europe	CE/CPR
USA	FCC
Canada	ICES
Australia	RCM
Korea	KCC
Russian Federation	EAC
Environment	RoHS

Parts included

Quantity	Component
1	End-of-line supervision module
1	Set of screws
1	User manual

Technical specifications

The following technical specifications are valid for PVA-1WEOL hardware version 1.2 and firmware version 1.3 in combination with PVA-4CR12 or PVA-4R24 hardware version 02/00. Previous hardware and firmware versions can be used in the same system; however, the lowest C_g must be taken as the maximum C_g for the system.

Electrical

Power supply	18-22 kHz, 8 V _{eff} , 20 mW
--------------	---------------------------------------

Wire limits

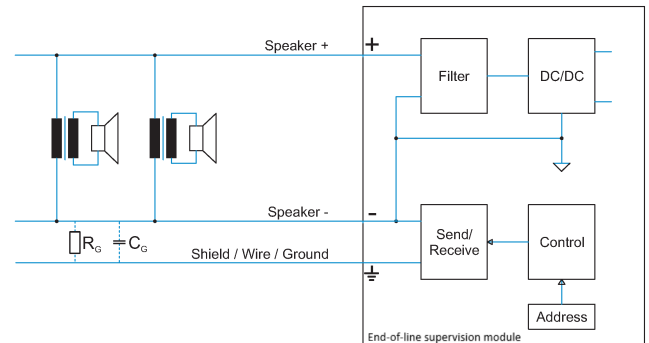
Minimum R _G	3 MΩ
Maximum C _g	2500 nF
Number of modules	60

Mechanical

Product dimensions (Height x Width x Depth)	15 mm x 78 mm x 60 mm
Net weight	30 g

Environmental

Operating temperature	-5 °C to +45 °C (+23 °F to +113 °F)
Humidity (non-condensing)	5% to 90%
Altitude	Up to 2000 m



Circuit diagram

Ordering information

PVA-1WEOL End-of-line supervision module

Module for monitoring the loudspeaker line for short and open circuits.

Order number **PVA-1WEOL**

Represented by:

Europe, Middle East, Africa:
 Bosch Security Systems B.V.
 P.O. Box 80002
 5600 JB Eindhoven, The Netherlands
 Phone: + 31 40 2577 284
 emea.securitysystems@bosch.com
 emea.boschsecurity.com

Germany:
 Bosch Sicherheitssysteme GmbH
 Robert-Bosch-Ring 5
 85630 Grasbrunn
 Germany
 www.boschsecurity.com

North America:
 Bosch Security Systems, Inc.
 130 Perinton Parkway
 Fairport, New York, 14450, USA
 Phone: +1 800 289 0096
 Fax: +1 585 223 9180
 onlinehelp@us.bosch.com
 www.boschsecurity.us

Asia-Pacific:
 Robert Bosch (SEA) Pte Ltd, Security Systems
 11 Bishan Street 21
 Singapore 573943
 Phone: +65 6571 2808
 Fax: +65 6571 2699
 apr.securitysystems@bosch.com
 www.boschsecurity.asia