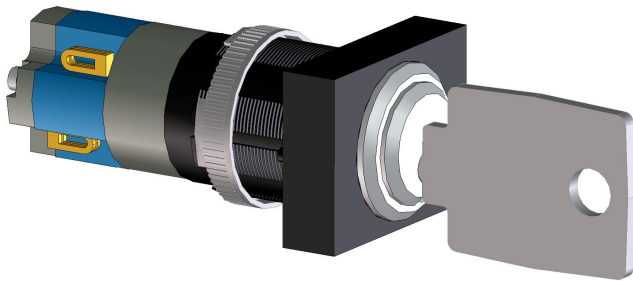


PVA-1KS Call station key switch

www.boschsecurity.com



BOSCH
Invented for life



- ▶ Key switch for call station
- ▶ EN 54-16 and ISO 7240-16 system certification

The PVA-1KS Call station key switch is an optional key switch that can be installed in the PVA-15CST Call station. The feed lines of the key switch are monitored for short-circuits and interruptions. For more information, refer to the call station manual.

Certifications and approvals

Emergency standard certifications

Europe	EN 54-16
International	ISO 7240-16

Environmental directive compliance

Immunity	EN 50130-4
Emissions	EN 61000-6-3 ICES-003 FCC-47 part 15B class A
Environment	EN 50581
Maritime	EN 60945

Conformity

Europe	CE/CPR
Australia	RCM
Environment	RoHS

Installation/configuration notes

Assembly in call station

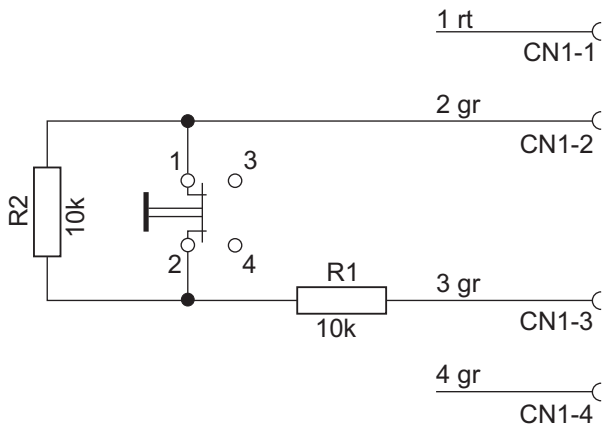
1. Disconnect the call station from all connectors.
2. Unscrew the call station baseplate.
3. Unplug the connection cable from the CN1 plug connector.
4. Prepare the installation location. Use a sharp object (knife, scribe, or similar) to carefully punch through and cut out the pre-cut circle on the back housing. Perform any follow-up work that may be required to the installation location (e.g. filing, trimming).
5. Bore through the pre-cut side opening for the holding pin of the key switch cover.
6. Align the switch and screw tightly in place with the supplied knurled screw.
7. The supplied 4-pin cable and the resistors must be connected as shown in the following figures, depending on the intended purpose of the key switch.



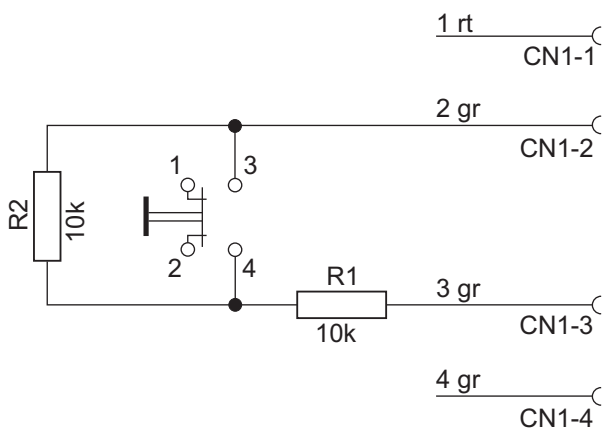
Notice

Connect the key switch as shown in the following figure (normally closed contact, NCC) to lock the call station via the key switch!

8. Note the connection sequence of the ribbon cable. The two external cables 1 (red) and 4 (green) must be cut as close to the cut-off point as possible and isolated. The two internal cables 2 (green) and 3 (green) must be soldered to switch connections 3 and 4. The polarity is not important.
9. Depending on whether the right/middle/left installation location will be used, plug the ribbon cable into plug connector CN201/CN202/CN203 on the circuit board.
10. Plug the connecting cable into CN1 again.
11. Re-attach the call station baseplate.
12. Attach the connections.
13. Configure the key switch in IRIS-Net.



Connecting the key switch as normally closed contact (NCC) for key lock function



Connecting the key switch as normally open contact (NOC) for special purposes

Parts included

Quantity	Component
1	Key switch
1	Preconfigured 4-pin connecting cable
2	Resistor 10 kΩ
1	Installation note

Technical specifications

Mechanical

Product dimensions (Height x Width x Depth)	45 mm x 19 mm x 24 mm
Net weight	0.03 kg
Shipping weight	0.04 kg

Environmental

Operating temperature	-5 °C to +45 °C (+23 °F to +113 °F)
Storage and transport temperature	-25 °C to +70 °C (-13 °F to +158 °F)
Humidity (non-condensing)	5% to 90%
Altitude	Up to 2000 m

Ordering information

PVA-1KS Call station key switch

Optional key switch that can be installed in the PVA-15CST Call station.

Order number **PVA-1KS**

Represented by:

Europe, Middle East, Africa:
Bosch Security Systems B.V.
P.O. Box 80002
5600 JB Eindhoven, The Netherlands
Phone: + 31 40 2577 284
emea.securitysystems@bosch.com
emea.boschsecurity.com

Germany:
Bosch Sicherheitssysteme GmbH
Robert-Bosch-Ring 5
85630 Grasbrunn
Germany
www.boschsecurity.com

North America:
Bosch Security Systems, Inc.
130 Perinton Parkway
Fairport, New York, 14450, USA
Phone: +1 800 289 0096
Fax: +1 585 223 9180
onlinehelp@us.bosch.com
www.boschsecurity.us

Asia-Pacific:
Robert Bosch (SEA) Pte Ltd, Security Systems
11 Bishan Street 21
Singapore 573943
Phone: +65 6571 2808
Fax: +65 6571 2699
apr.securitysystems@bosch.com
www.boschsecurity.asia