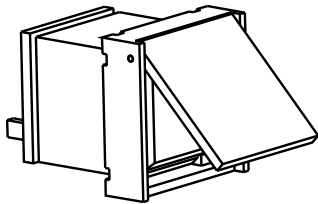


# PVA-1EB Call station emergency button

www.boschsecurity.com



**BOSCH**  
Invented for life



- ▶ Alarm button for call station
- ▶ EN 54-16 and ISO 7240-16 system certification

The PVA-1EB is an optional emergency button for installation in the PAVIRO call stations. For more information, refer to the call station manual.

## Certifications and approvals

### Emergency standard certifications

Europe	EN 54-16
International	ISO 7240-16

### Environmental directive compliance

Immunity	EN 50130-4
Emissions	EN 61000-6-3 ICES-003 FCC-47 part 15B class A
Environment	EN 50581
Maritime	EN 60945

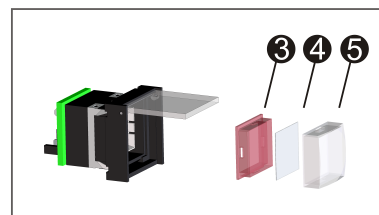
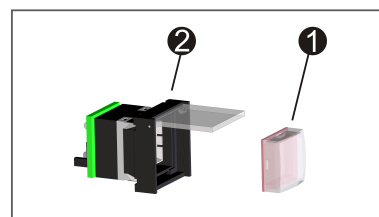
### Conformity

Europe	CE/CPR
Australia	RCM
Environment	RoHS

## Installation/configuration notes

### Labeling

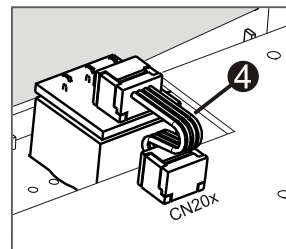
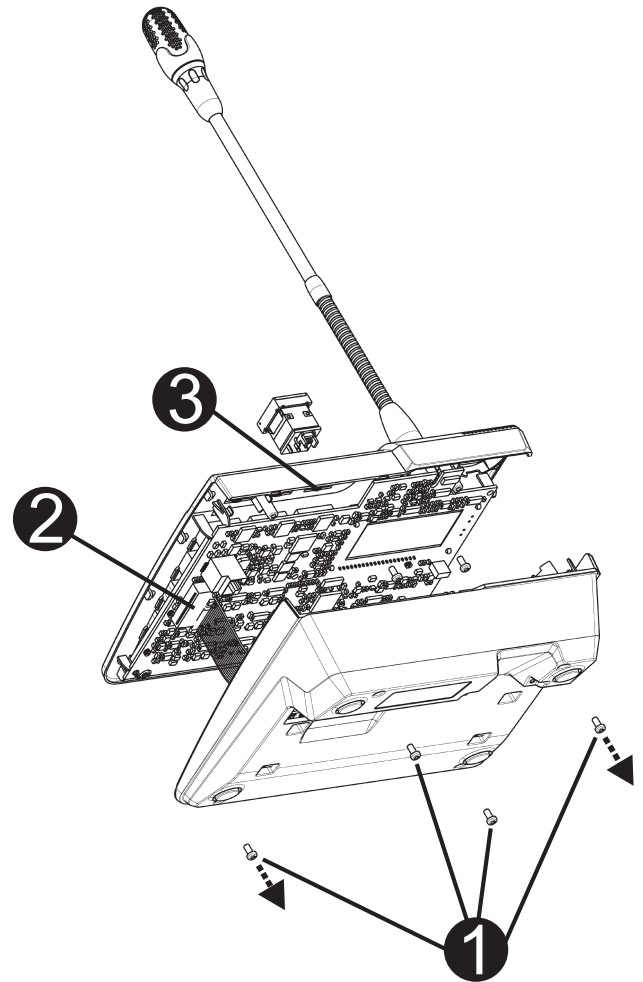
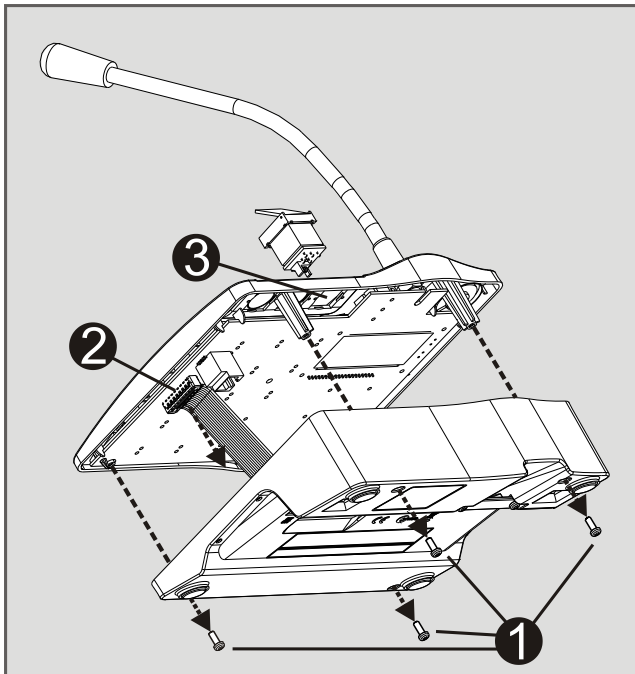
1. Remove button **1** from housing **2**
2. Remove red diffuser **3** from lens **5** using a sharp tool (such as a knife)
3. Label the film insert **4**
4. Re-assemble the button including the film insert and mount into the housing **2**



### Assembly in call station

1. Disconnect the call station from all connectors.
2. Unscrew the call station baseplate (4 screws **1**).

3. Carefully remove the baseplate from the upper part, start on the top left corner of the call station.
4. Unplug the connecting cable from the CN1 plug connector ②.
5. Prepare installation location ③: Use a sharp object (scraper or similar) to carefully punch through and cut out the pre-cut rectangle on the inside of the housing. Perform any follow-up work that may be required to the installation location (e.g. filing, trimming).
6. Mount the button into the installation location, and press in evenly (it must be possible for the cover cap to open upward).
7. Depending on whether the right/middle/left installation location is used, plug the ribbon cable ④ into plug connector CN201/CN202/CN203 on the circuit board.
8. Plug the connecting cable into CN1 again.
9. Carefully re-attach the call station baseplate.
10. Re-connect the connections.
11. Configure the button using the software.



#### Parts included

Quantity	Component
1	Button element with cover
1	Preconfigured 4-pin connecting cable
1	Installation note

#### Technical specifications

##### Mechanical

Product dimensions (Height x Width x Depth)	30 mm x 21 mm x 21 mm
Net weight	0.01 kg
Shipping weight	0.02 kg

##### Environmental

Operating temperature	-5 °C to +45 °C (+23 °F to +113 °F)
Storage and transport temperature	-25 °C to +70 °C (-13 °F to +158 °F)

Humidity (non-condensing)	5% to 90%
Altitude	Up to 2000 m

#### Ordering information

##### PVA-1EB Call station emergency button

Optional emergency button that can be installed in the PVA-15CST Call station.

Order number **PVA-1EB**

#### Represented by:

**Europe, Middle East, Africa:**  
Bosch Security Systems B.V.  
P.O. Box 80002  
5600 JB Eindhoven, The Netherlands  
Phone: + 31 40 2577 284  
emea.securitysystems@bosch.com  
emea.boschsecurity.com

**Germany:**  
Bosch Sicherheitssysteme GmbH  
Robert-Bosch-Ring 5  
85630 Grasbrunn  
Germany  
www.boschsecurity.com

**North America:**  
Bosch Security Systems, Inc.  
130 Perinton Parkway  
Fairport, New York, 14450, USA  
Phone: +1 800 289 0096  
Fax: +1 585 223 9180  
onlinehelp@us.bosch.com  
www.boschsecurity.us

**Asia-Pacific:**  
Robert Bosch (SEA) Pte Ltd, Security Systems  
11 Bishan Street 21  
Singapore 573943  
Phone: +65 6571 2808  
Fax: +65 6571 2699  
apr.securitysystems@bosch.com  
www.boschsecurity.asia