

# Power Supply Units for IR Illuminators



PSU-IIR units are Constant Voltage, 24 VDC power supplies designed for LED lighting applications with short circuit, over voltage, over current, and over temperature protection. Each unit includes cable connections with 200 mm (8 in.) input/output flying leads. Models of 35 W, 60 W, or 100 W are available.

- ▶ Constant Voltage design for external LED lighting applications
- ▶ Built-in active Power Factor Correction (PFC), typically > 0.93
- ▶ Turn on time < 1 second with soft start
- ▶ Protection: Over-Load, Over Current, Open Circuit, Short Circuit, Over Temperature

Region	Regulatory compliance/quality marks	
	UL	ST-VS 2017-E-013
Great Britain	UKCA	BT-VS 2021-E-061

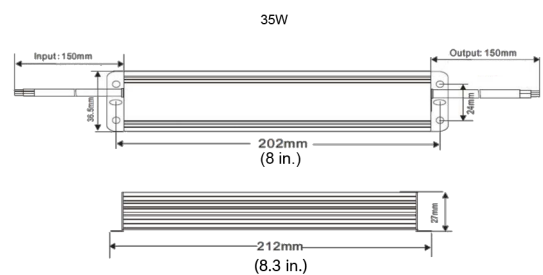
## Regulatory information

Standards	Type
Emission	EN 55015 EN 61000-3-2 EN 61000-3-3
Immunity	EN 61547 EN 55024 EN 61000-4-2,3,4,5,6,8,11 FCC Part 15, Class B
Other	UL 8750 EN 61347-1 EN 61347-2-13
Marks	CE, RoHS

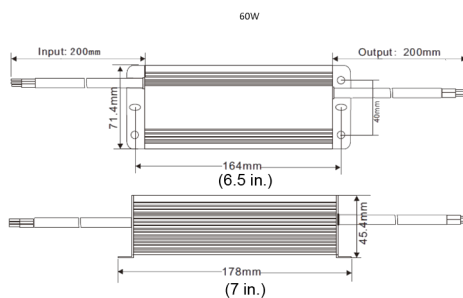
Region	Regulatory compliance/quality marks	
Europe	CE	BT-VS 2021-E-060
USA	FCC	ST-VS 2017-E-013

## Installation/configuration notes

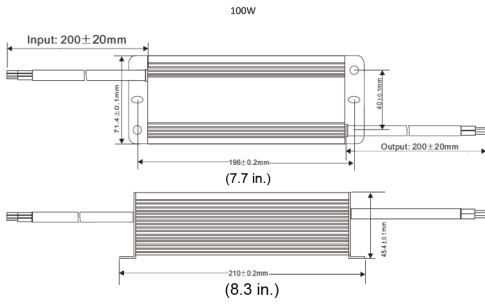
### PSU-IIR-35



### PSU-IIR-60



**PSU-IIR-100**



**Technical specifications**

**Electrical**

Input voltage (VAC)	100 VAC - 240 VAC 50/60 Hz
Output voltage (VDC)	24 VDC
Connection type	Flying leads
Maximum load (A)	35W: 1.46 A 60W: 2.5 A 100W: 4.17A

**Environmental**

Operating temperature (°C)	-25 °C - 50 °C
Operating temperature (°F)	-13 °F - 122 °F
Operating relative humidity, noncondensing (%)	10% - 90%
IP rating	IP67

**Construction**

Dimensions (H x W x D) (mm)	35W: 37 mm x 212 mm x 27 mm 60W: 72 mm x 178 mm x 45 mm 100W: 72 mm x 210 mm x 45 mm
Dimensions (H x W x D) (in)	35W: 1.5 in x 8.4 in x 1 in 60W: 2.8 in x 7 in x 1.8 in 100W: 2.8 in x 8.3 in x 1.8 in
Weight (kg)	35W: 0.55 kg 60W: 1 kg 100W: 1.15 kg

Weight (lb)	35W: 1.21 lb 60W: 2.21 lb 100W: 2.53 lb
Material	Aluminum
Color	Black

**Ordering information**

**PSU-IIR-35 Power supply, 100-240VAC/24VDC, 1.46A**  
Constant Voltage, 24 VDC, 35W power supply designed for LED lighting applications. 100-240VAC in, 1.46A out. Aluminum case rated IP67.  
Order number **PSU-IIR-35**

**PSU-IIR-60 Power supply, 100-240VAC/24VDC, 2.5A**  
Constant Voltage, 24 VDC, 60W power supply designed for LED lighting applications. 100-240VAC in, 2.5A out. Aluminum case rated IP67.  
Order number **PSU-IIR-60**

**PSU-IIR-100 Power supply, 100-240VAC/24VDC, 4.17A**  
Constant Voltage 24 VDC, 100W power supply designed for LED lighting applications. 100-240VAC in, 4.17A out. Aluminum case rated IP67.  
Order number **PSU-IIR-100**

**Represented by:**

**Europe, Middle East, Africa:**  
Bosch Security Systems B.V.  
P.O. Box 80002  
5600 JB Eindhoven, The Netherlands  
www.boschsecurity.com/xc/en/contact/  
www.boschsecurity.com

**Germany:**  
Bosch Sicherheitssysteme GmbH  
Robert-Bosch-Platz 1  
D-70839 Gerlingen  
www.boschsecurity.com

**North America:**  
Bosch Security Systems, LLC  
130 Perinton Parkway  
Fairport, New York, 14450, USA  
www.boschsecurity.com

**Asia-Pacific:**  
Robert Bosch (SEA) Pte Ltd, Security Systems  
11 Bishan Street 21  
Singapore 573943  
www.boschsecurity.com/xc/en/contact/  
www.boschsecurity.com