

PSU-IIR-60 Power supply, 100-240VAC/24VDC, 2.5A



- ▶ Constant Voltage design for external LED lighting applications
- ▶ Built-in active Power Factor Correction (PFC), typically > 0.93
- ▶ Turn on time < 1 second with soft start
- ▶ Protection: Over-Load, Over Current, Open Circuit, Short Circuit, Over Temperature

PSU-IIR units are Constant Voltage, 24 VDC power supplies designed for LED lighting applications with short circuit, over voltage, over current, and over temperature protection. Each unit includes cable connections with 200 mm (8 in.) input/output flying leads.

Regulatory information

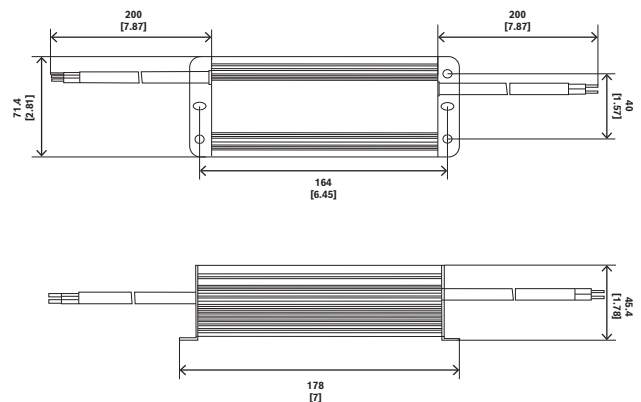
Standards	Type
Emission	EN 55015 EN 61000-3-2 EN 61000-3-3
Immunity	EN 61547 EN 55024 EN 61000-4-2,3,4,5,6,8,11 FCC Part 15, Class B
Other	UL 8750 EN 61347-1 EN 61347-2-13
Marks	CE, RoHS

Region	Regulatory compliance/quality marks	
Europe	CE	BT-VS 2021-E-060
USA	FCC	ST-VS 2017-E-013
	UL	ST-VS 2017-E-013

Region	Regulatory compliance/quality marks	
Great Britain	UKCA	BT-VS 2021-E-061

Installation/configuration notes

PSU-IIR-60



Dimensions in mm (inch)

Parts included

Quantity	Component
1	Unit

Technical specifications

Electrical

Input voltage (VAC)	100 VAC – 240 VAC 50/60 Hz
---------------------	----------------------------

Output voltage (VDC)	24 VDC
Connection type	Flying leads
Maximum load (A)	2.5 A

Environmental

Operating temperature (°C)	-25 °C – 50 °C
Operating temperature (°F)	-13 °F – 122 °F
Operating relative humidity, non-condensing (%)	10% – 90%
IP rating	IP67

Construction

Dimensions (H x W x D) (mm)	71.4 mm x 178 mm x 45.4 mm
Dimensions (H x W x D) (in)	2.81 in x 7 in x 1.78 in
Weight (kg)	1 kg
Weight (lb)	2.21 lb
Material	Aluminum
Color	Black

Ordering information

PSU-IIR-60 Power supply, 100-240VAC/24VDC, 2.5A

Constant Voltage, 24 VDC, 60W power supply designed for LED lighting applications. 100-240VAC in, 2.5A out. Aluminum case rated IP67.

Order number **PSU-IIR-60**

Represented by:

Europe, Middle East, Africa:
Bosch Security Systems B.V.
P.O. Box 80002
5600 JB Eindhoven, The Netherlands
www.boschsecurity.com/xc/en/contact/
www.boschsecurity.com

Germany:
Bosch Sicherheitssysteme GmbH
Robert-Bosch-Platz 1
D-70839 Gerlingen
www.boschsecurity.com

North America:
Bosch Security Systems, LLC
130 Perinton Parkway
Fairport, New York, 14450, USA
www.boschsecurity.com

Asia-Pacific:
Robert Bosch (SEA) Pte Ltd, Security Systems
11 Bishan Street 21
Singapore 573943
www.boschsecurity.com/xc/en/contact/
www.boschsecurity.com