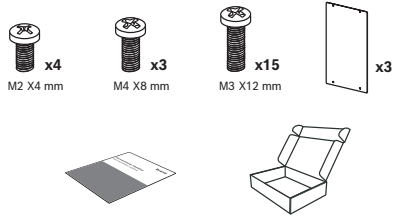
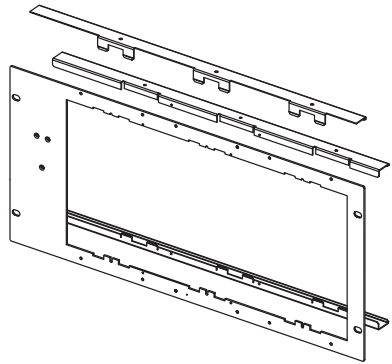
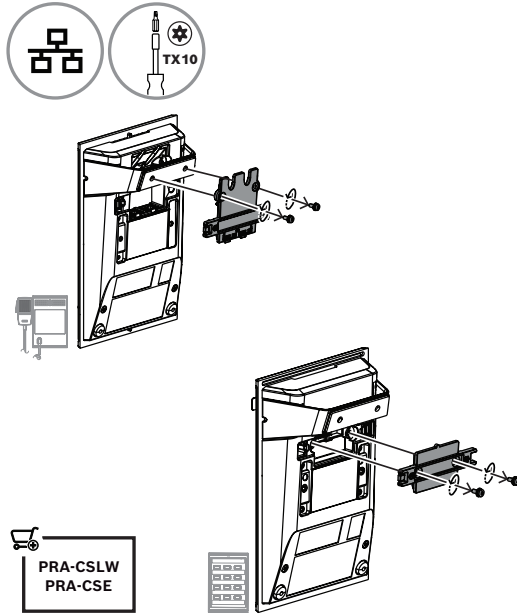


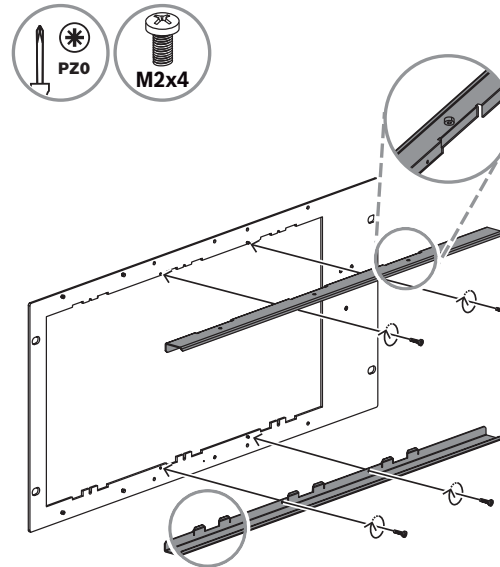
1 |



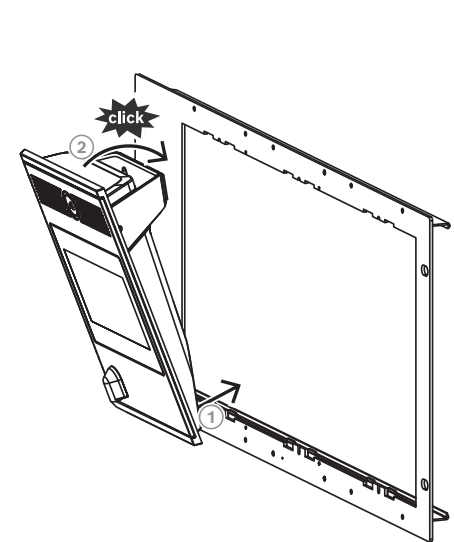
2 |



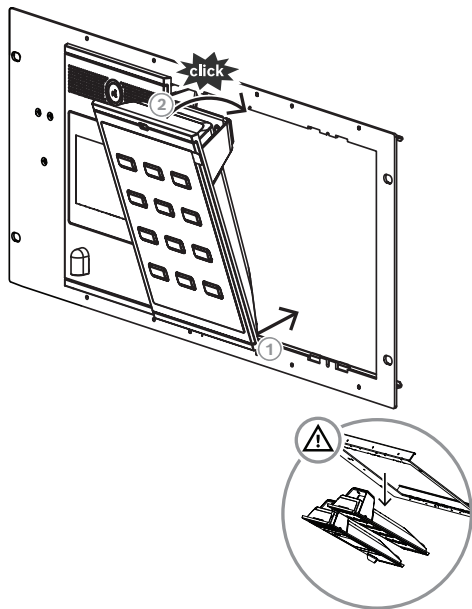
3 |



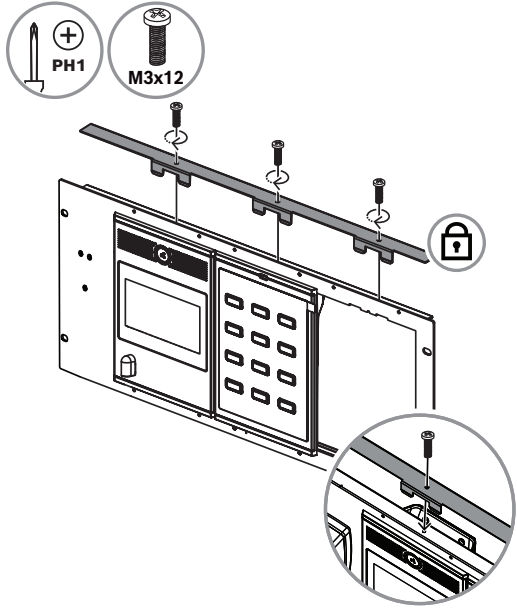
4 |



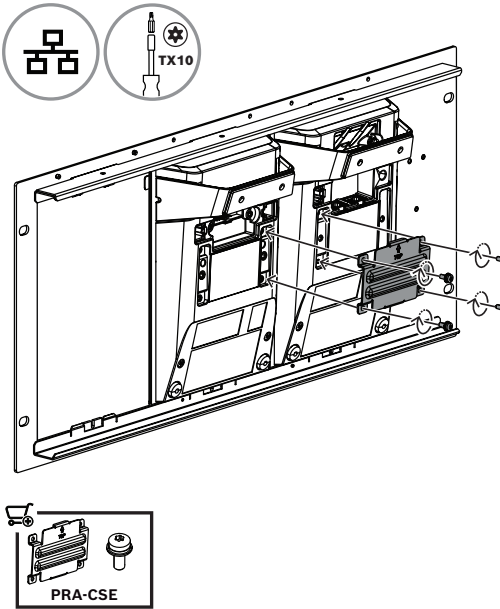
5 |



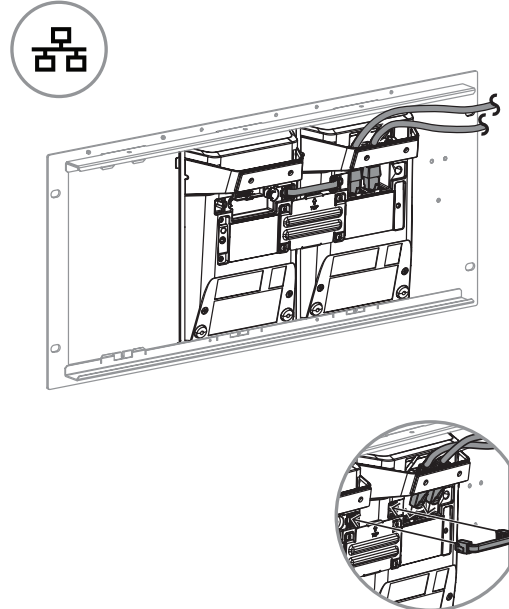
6 |

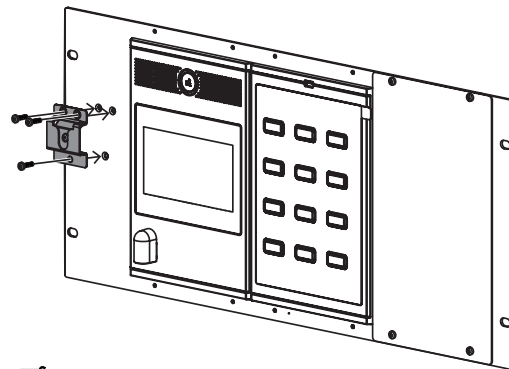
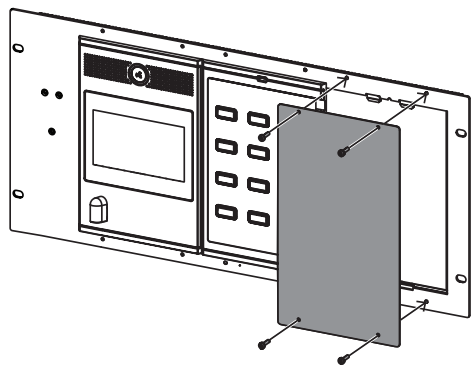
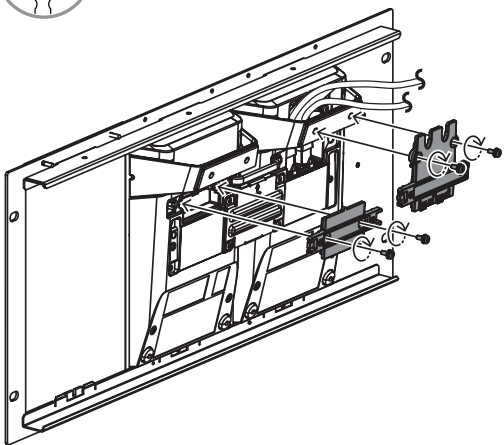


7 |

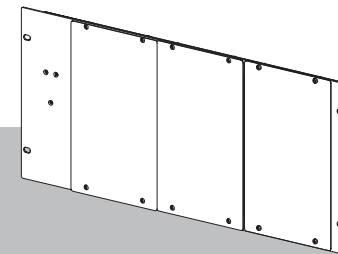


8 |

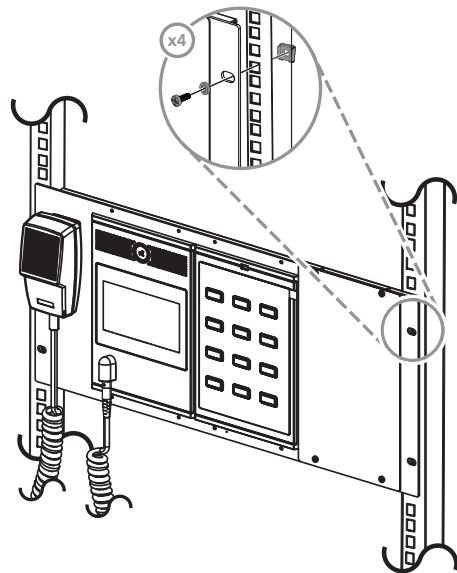
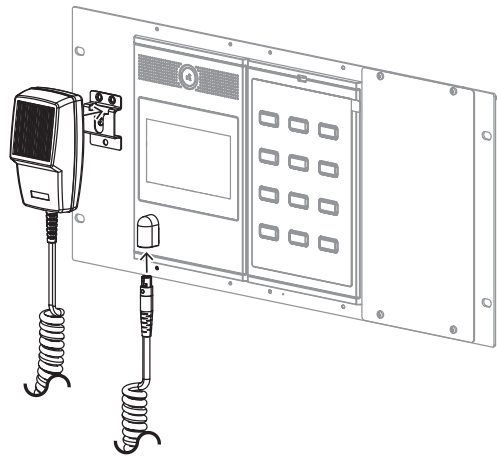




**PRAESENSA**  
PSP-D00099



en Quick installation guide



**Bosch Security Systems B.V.**  
Torenallee 49  
5617 BA Eindhoven  
Netherlands  
[www.boschsecurity.com](http://www.boschsecurity.com)  
© Bosch Security Systems B.V., 2024