

# PROSPERO

PRP-UC15L



## Table of contents

1	<b>Safety</b>	<b>4</b>
2	<b>Short information</b>	<b>7</b>
3	<b>Equipment overview</b>	<b>8</b>
4	<b>Accessories</b>	<b>9</b>
5	<b>Installation</b>	<b>10</b>
6	<b>Wiring</b>	<b>12</b>
7	<b>Maintenance</b>	<b>13</b>
8	<b>Technical data</b>	<b>14</b>
9	<b>Dimensions</b>	<b>15</b>

# 1 Safety

**Danger!**

High risk: Indicates a critically hazardous situation. Failure to take precautions will result in electric shock, serious bodily injury, or death.

**Warning!**

Medium risk: Indicates a potentially hazardous situation. Failure to take precautions may result in minor or moderate bodily injury.

**Caution!**

Low risk: Indicates a potentially hazardous situation. Failure to take precautions may result in risk of property loss or equipment damage.

1. Read these instructions carefully. Read all safety and operating instructions before operating equipment or systems.
2. Keep these instructions in a safe place. Important safety instructions and operating instructions should be retained for future reference.
3. Pay attention to all warnings. All warnings on the equipment and in the operating instructions should be carefully observed.
4. Follow all instructions. All instructions for installation or use/operation should be followed.
5. Do not use this equipment near a water source. Do not use the device near water sources or in damp environments, e.g. near bathtubs, sinks, kitchen sinks or laundry tubs, wet basements, next to swimming pools, unprotected outdoor installation points, or anywhere designated as a damp area.

**Caution!**

Do not use alcohol, ammonia or petroleum solvents or abrasive cleaners to clean the devices.

6. Disconnect the mains power supply from the devices, if you want to clean the devices.
7. Use a soft cloth that is not fully moist with a weak soap and water solution.
8. Let the device fully dry before you operate the device again.
9. Do not block any ventilation openings. Follow the manufacturer's instructions for installation. Openings in the housing, if present, are used for ventilation to ensure reliable operation of the device and prevent overheating. These openings should not be obstructed or covered. This device should not be flush mounted unless proper ventilation is provided or the manufacturer's instructions are followed.
10. Do not install near sources of heat, such as radiators, storage heaters, stoves or other heat-generating devices (including amplifiers), or in areas of direct sunlight.
11. Do not place naked ignition sources such as lit candles on the device.
12. Do not step on or pinch the power cord. Take special care to protect the plug, convenience outlets, and the device's connection points.
13. Use only the accessories/fittings specified by the manufacturer. Installation of any equipment should follow the manufacturer's instructions and should utilize the manufacturer's recommended mounting accessories.

14. Use only the carts, bays, tripods, stands, or tables specified by the manufacturer or supplied with the device. When using a cart, handle it carefully to avoid tipping over and causing personal injury. Sudden stops, excessive force, and uneven surfaces can all cause a cart carrying electrical equipment to tip over.
15. Unplug the device during thunderstorms or when not in use for long periods of time. Not applicable when special features, e.g. emergency evacuation systems, need to be maintained.
16. All maintenance matters should be referred to qualified maintenance personnel. Repairs are necessary if the device sustains any of the following issues: damage to the power cord or plug, liquid spillage or foreign objects entering the device, exposure to rain or moisture, abnormal operation, or if the device has fallen or been dropped.
17. Do not expose the equipment to dripping or splashing, and do not place objects containing liquids, e.g. vases, on this equipment.
18. Professional installation only - do not use the equipment in a residential environment.
19. To prevent condensation, wait a few hours before powering on the equipment after moving it from a cooler to a warmer location.
20. For devices with audio output, avoid listening to audio at high volume levels for extended periods of time in order to prevent possible hearing damage.
21. When replacement parts are required, service personnel should use replacement parts specified by the manufacturer, or parts with the same characteristics as the original. Unauthorized replacement with other parts may result in fire, electric shock, or other hazards.
22. After servicing this equipment, have service personnel perform a safety check to ensure that the equipment is working properly.
23. Use only the type of power supply indicated on the label to power the device. If you are unsure of the type of power supply used, consult your equipment dealer or local power company. For devices powered by batteries or other power sources, refer to the operating instructions.
  - Permanently connected equipment must have an accessible, external utility plug or all-pole utility switch and must comply with all applicable installation codes,
  - For removable equipment, socket outlets should be installed in an easily accessible location near the equipment.

**Danger!**

Do not overload outlets and extension cords. Otherwise, fire or electric shock may result.

---

**Danger!**

Do not insert any foreign objects through openings in the device. Foreign objects may come in contact with hazardous voltage points or short-circuit components, which in turn may cause fire or electric shock. Do not allow any liquid to spill into the unit.

---

**Caution!**

To avoid electric shock, do not open the housing. Consult only qualified service personnel regarding maintenance matters.

---



**Warning!**

To prevent fire or electric shock hazard, do not expose the device to rain or moisture.

---



**Warning!**

Installation should only be performed by qualified service personnel and in accordance with the National Electrician's Standards or applicable local standards.

---

## 2 Short information

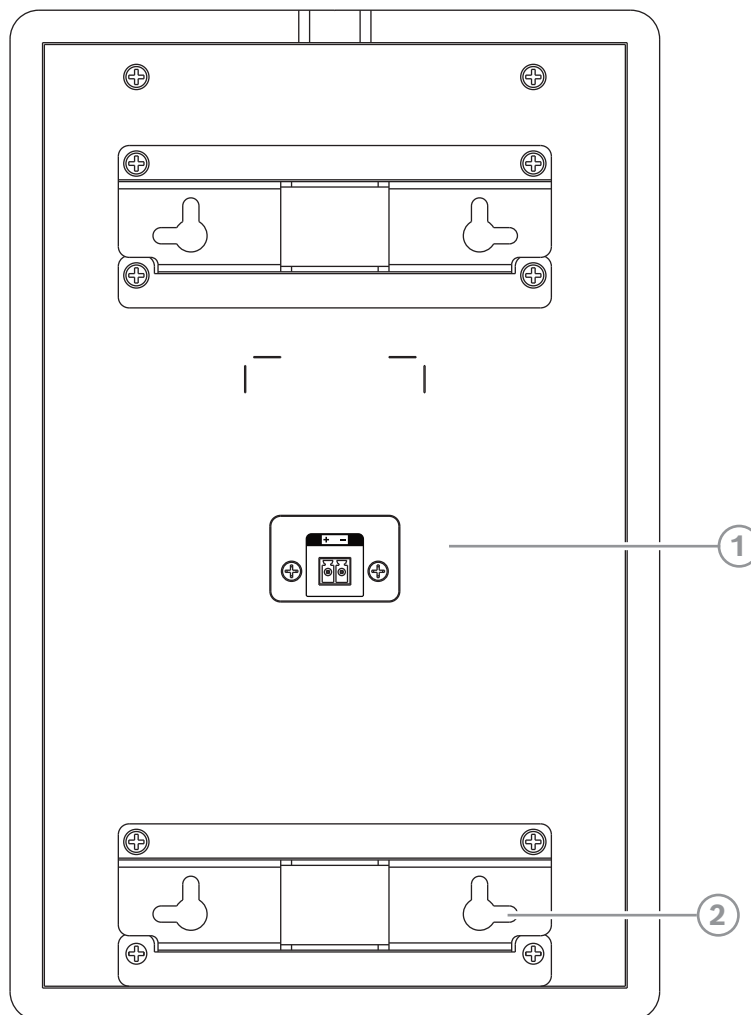
The PRP-UC15L is a passive speaker designed for use with the PRP-UC15L-IP active IP speaker. It features a white wooden enclosure and is suitable for indoor applications. High-quality 5.2-inch full-range speaker unit and a wooden enclosure with a vented design ensure excellent vocal clarity and background music performance. The rear panel comes with two sets of mounting brackets for either horizontal or vertical wall mounting. The Bosch logo on the front panel can be rotated to match different mounting orientations.


**Other features:**

- Used in conjunction with the PRP-UC15-IP active IP speaker, it connects to the PROSPERO public address system via an IP network.
- Rotatable front panel logo.
- Mounting brackets included for horizontal or vertical wall mounting options.

### 3 Equipment overview

#### Back view interface diagram



Nr.	Icon	Indicator and control	Description (default configuration)
1		Loudspeaker interface	Suitable for connecting PRP-UC15L-IP speakers
2		Mounting bracket	Bracket for wall mounting, horizontal or vertical mounting available



## 4 Accessories

Quantity	Components
1	Cabinet loudspeaker, 15 W
1	Safety and user information leaflet
1	Terminal block (set)

## 5 Installation

1. On the installation plane, open the M4 expansion bolt holes according to the requirements. The mounting method can be chosen horizontally or vertically according to the actual installation situation.
2. Connect the loudspeaker connecting wires and organize the wires into the outlet slots.
3. Suspend the product to the wall by mounting brackets.
4. Rotate the front panel logo to the correct orientation.



### Notice!

Expansion bolts and screws for installation should be prepared by the installer.

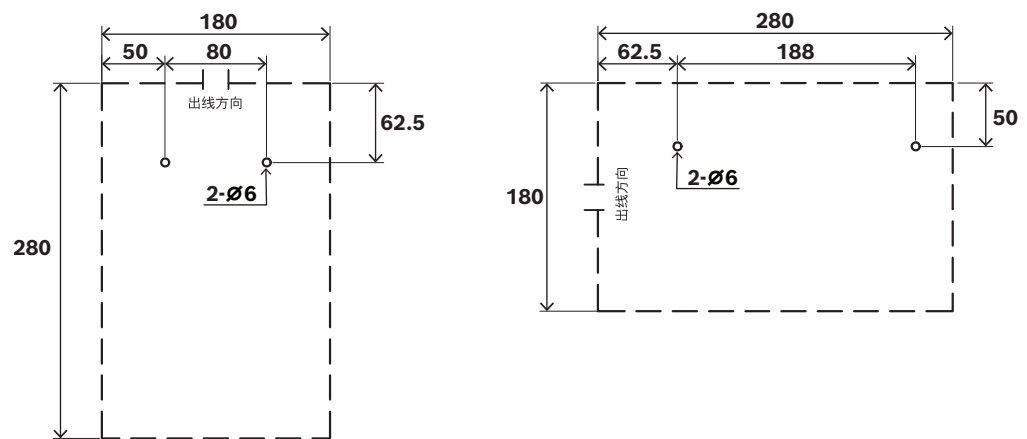


Figure 5.1: Selecting and positioning the mounting method

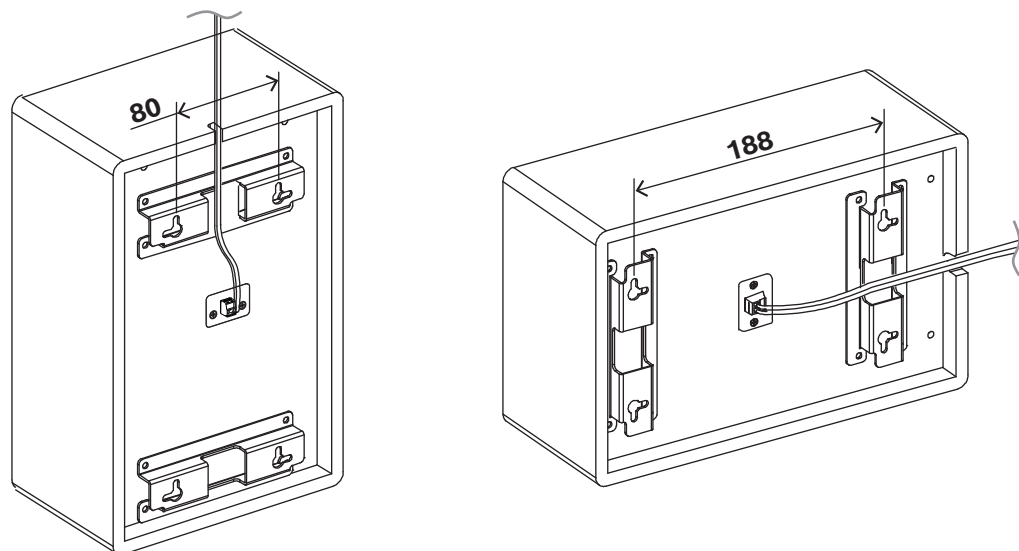
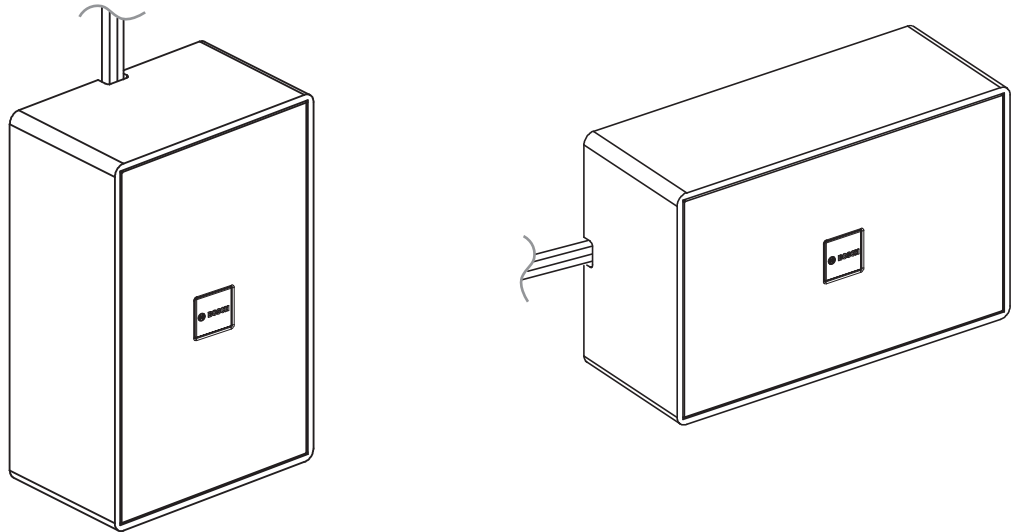
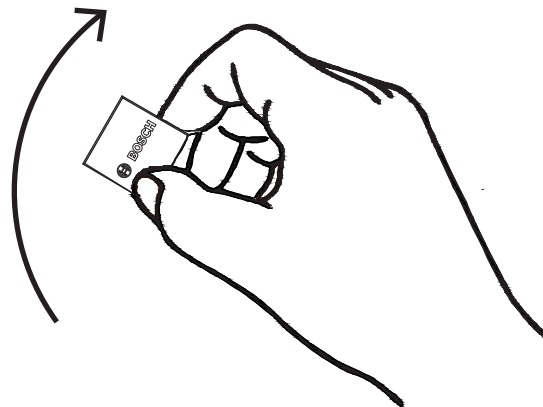


Figure 5.2: Organize speaker wiring



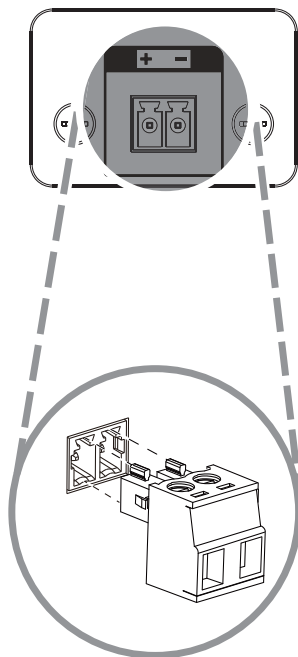
**Figure 5.3:** Hanging to the wall



**Figure 5.4:** Rotating logo

## 6 Wiring

The PRP-UC15L speaker can be connected to the loudspeaker port of the PRP-UC15L-IP speaker.



**Figure 6.1:** Loudspeaker connection

---

## 7 Maintenance

The 15 W speaker does not require any special maintenance. To maintain cleanliness and a neat appearance, use a soft cloth to clean the speaker cabinet.

## 8 Technical data

### Electrical

Speaker	
Rated power (W)	15 W, 8 $\Omega$
Sensitivity (1 W, 1 m, 1 kHz octave) (dB)	87 dB
Sound pressure level (rated power, 1 m, 1 kHz octave) (dB)	99 dB
Frequency range (-10 dB) (Hz)	95 Hz – 19.5 kHz
Coverage angle HxV (-6 dB, 1 kHz) (°)	184° x 170°
Coverage angle HxV (-6 dB, 4 kHz) (°)	112° x 35°

Analog audio input	
Type	1x Loudspeaker output
Interface	1x 2-pin Phoenix connector

### Mechanical

Speaker	
Material	Wooden case, metal grille
Dimensions (H x W x D)	280 mm x 180 mm x 110 mm
Weight	2300 g
Color (RAL)	RAL 9003 Signal white

Brackets	
Material	Metal
Color (RAL)	RAL 9017 Traffic black
Mounting	Wall-mounted, optional horizontal or vertical orientation

### Environmental

Operating temperature (°C)	-5°C – 45°C
Storage and transportation temperature (°C)	-40°C – 70 C
Operating relative humidity, non-condensing (%%)	<95%

# 9 Dimensions

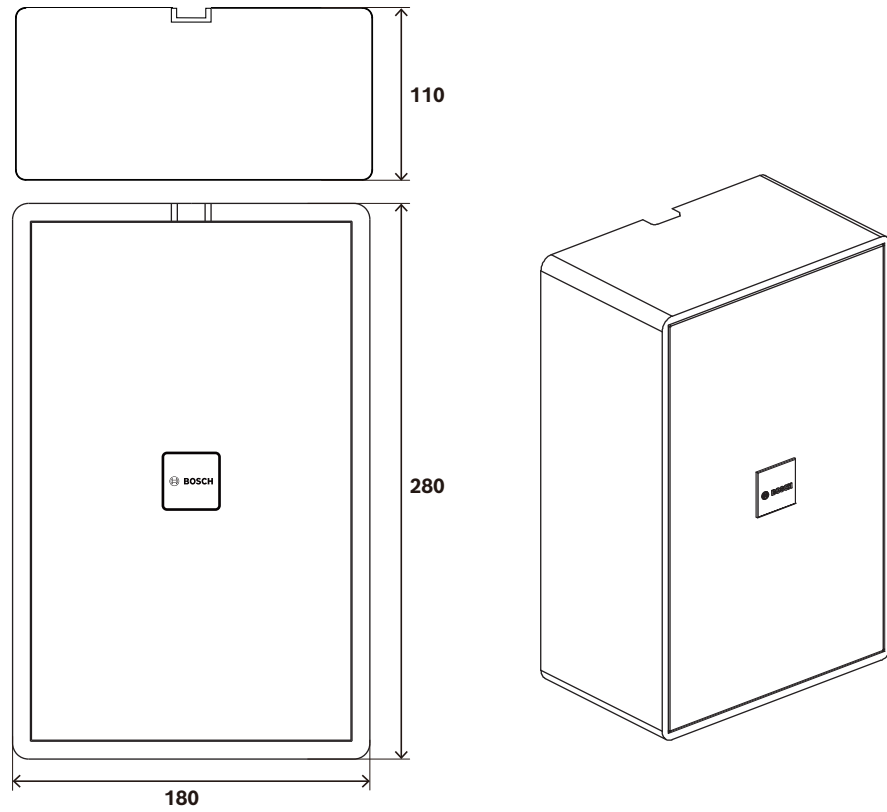


Figure 9.1: Dimensions in mm











**Bosch Security Systems B.V.**

Torenallee 49

5617 BA Eindhoven

Netherlands

**[www.boschsecurity.com](http://www.boschsecurity.com)**

© Bosch Security Systems B.V., 2024

**Building solutions for a better life**

202410241209