

PROSPERO

PRP-UC15L-IP

Table of contents

1	Safety	4
2	Short information	7
3	Equipment overview	8
4	Accessories	10
5	Installation	11
5.1	Delivery conditions	11
5.2	Installation method	11
6	Wiring	14
7	Operation	19
8	Maintenance	20
9	Technical data	21
10	Dimensions	23

1 Safety

**Danger!**

High risk: Indicates a critically hazardous situation. Failure to take precautions will result in electric shock, serious bodily injury, or death.

**Warning!**

Medium risk: Indicates a potentially hazardous situation. Failure to take precautions may result in minor or moderate bodily injury.

**Caution!**

Low risk: Indicates a potentially hazardous situation. Failure to take precautions may result in risk of property loss or equipment damage.

1. Read these instructions carefully. Read all safety and operating instructions before operating equipment or systems.
2. Keep these instructions in a safe place. Important safety instructions and operating instructions should be retained for future reference.
3. Pay attention to all warnings. All warnings on the equipment and in the operating instructions should be carefully observed.
4. Follow all instructions. All instructions for installation or use/operation should be followed.
5. Do not use this equipment near a water source. Do not use the device near water sources or in damp environments, e.g. near bathtubs, sinks, kitchen sinks or laundry tubs, wet basements, next to swimming pools, unprotected outdoor installation points, or anywhere designated as a damp area.

**Caution!**

Do not use alcohol, ammonia or petroleum solvents or abrasive cleaners to clean the devices.

6. Disconnect the mains power supply from the devices, if you want to clean the devices.
7. Use a soft cloth that is not fully moist with a weak soap and water solution.
8. Let the device fully dry before you operate the device again.
9. Do not block any ventilation openings. Follow the manufacturer's instructions for installation. Openings in the housing, if present, are used for ventilation to ensure reliable operation of the device and prevent overheating. These openings should not be obstructed or covered. This device should not be flush mounted unless proper ventilation is provided or the manufacturer's instructions are followed.
10. Do not install near sources of heat, such as radiators, storage heaters, stoves or other heat-generating devices (including amplifiers), or in areas of direct sunlight.
11. Do not place naked ignition sources such as lit candles on the device.
12. Do not step on or pinch the power cord. Take special care to protect the plug, convenience outlets, and the device's connection points.
13. Use only the accessories/fittings specified by the manufacturer. Installation of any equipment should follow the manufacturer's instructions and should utilize the manufacturer's recommended mounting accessories.

14. Use only the carts, bays, tripods, stands, or tables specified by the manufacturer or supplied with the device. When using a cart, handle it carefully to avoid tipping over and causing personal injury. Sudden stops, excessive force, and uneven surfaces can all cause a cart carrying electrical equipment to tip over.
15. Unplug the device during thunderstorms or when not in use for long periods of time. Not applicable when special features, e.g. emergency evacuation systems, need to be maintained.
16. All maintenance matters should be referred to qualified maintenance personnel. Repairs are necessary if the device sustains any of the following issues: damage to the power cord or plug, liquid spillage or foreign objects entering the device, exposure to rain or moisture, abnormal operation, or if the device has fallen or been dropped.
17. Do not expose the equipment to dripping or splashing, and do not place objects containing liquids, e.g. vases, on this equipment.
18. Professional installation only - do not use the equipment in a residential environment.
19. To prevent condensation, wait a few hours before powering on the equipment after moving it from a cooler to a warmer location.
20. For devices with audio output, avoid listening to audio at high volume levels for extended periods of time in order to prevent possible hearing damage.
21. When replacement parts are required, service personnel should use replacement parts specified by the manufacturer, or parts with the same characteristics as the original. Unauthorized replacement with other parts may result in fire, electric shock, or other hazards.
22. After servicing this equipment, have service personnel perform a safety check to ensure that the equipment is working properly.
23. Use only the type of power supply indicated on the label to power the device. If you are unsure of the type of power supply used, consult your equipment dealer or local power company. For devices powered by batteries or other power sources, refer to the operating instructions.
 - Permanently connected equipment must have an accessible, external utility plug or all-pole utility switch and must comply with all applicable installation codes,
 - For removable equipment, socket outlets should be installed in an easily accessible location near the equipment.

**Danger!**

Do not overload outlets and extension cords. Otherwise, fire or electric shock may result.

**Danger!**

Do not insert any foreign objects through openings in the device. Foreign objects may come in contact with hazardous voltage points or short-circuit components, which in turn may cause fire or electric shock. Do not allow any liquid to spill into the unit.

**Caution!**

To avoid electric shock, do not open the housing. Consult only qualified service personnel regarding maintenance matters.

**Warning!**

To prevent fire or electric shock hazard, do not expose the device to rain or moisture.

**Warning!**

Installation should only be performed by qualified service personnel and in accordance with the National Electrician's Standards or applicable local standards.

**Warning!**

If the device is powered by an external power supply and a power cord unit is provided, disconnect the device from the power plug of the power cord. If an AC-DC adapter is supplied and the power plug is a direct plug-in type, use the AC-DC adapter to disconnect the device.

The electrical outlet should be installed close to the equipment and be easily accessible.

**Warning!**

To avoid the risk of electric shock, do not connect Safety Extra-Low Voltage (SELV) circuits to Telephone Network Voltage (TNV) circuits. The LAN port contains a SELV circuit and the WAN port contains a TNV circuit. Some LAN and WAN ports use RJ-45 connectors. Always be careful when connecting cables.

**Notice!**

This is a Class A product and operation of this device may cause radio interference in a residential environment.

24. Use only at altitudes up to 2000 meters. Use only in non-tropical climates.

2 Short information

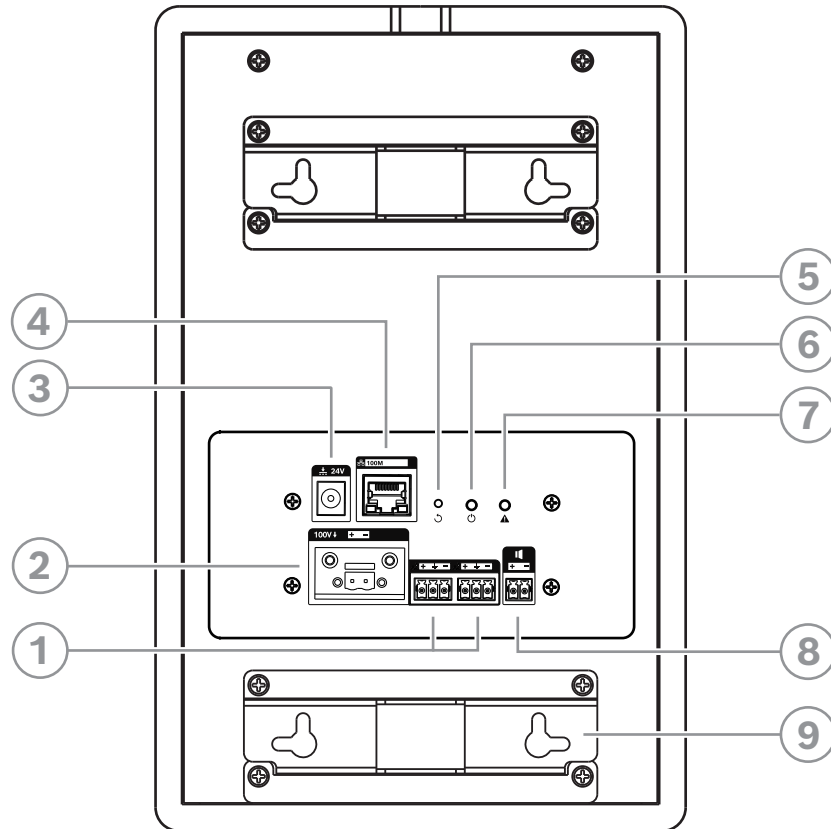
The PRP-UC15L-IP is a multifunctional active IP speaker with a white wooden enclosure, suitable for indoor applications. High-quality 5.2-inch full-range speaker unit and a wooden enclosure with a vented design ensure excellent vocal clarity and background music performance. Built-in dual-channel digital amplifier, which can drive an additional passive loudspeaker in addition to the main unit. The rear panel provides local audio input and high-priority exam mode input ports, and includes two sets of mounting brackets for optional horizontal or vertical wall mounting. The Bosch logo on the front panel can be rotated to match different mounting orientations.

Other features:

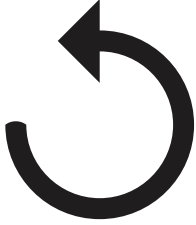


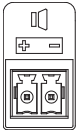
- Connecting to the PROSPERO public address system via an IP network.
- Built-in dual-channel 15W digital power amplifier.
- 2 local audio inputs for connecting audio sources and wireless microphones.
- 100 V input signal is prioritized when examination mode is enabled.
- The auxiliary output interface directly drives a matching auxiliary loudspeaker.
- Power supply status and fault status indicators.
- Rotatable front panel logo.
- Mounting brackets included for horizontal or vertical wall mounting options.

3 Equipment overview

Back view interface diagram



Nr.	Icon	Indicator and control	Description
1		Analog audio input jacks 1-2	Local balanced line level audio input
2		100 V audio input connector	Alternate 100 V constant voltage broadcast audio input
3		Power supply interface	Connect 24 V DC/2 A power adapter
4		Network interface	Connecting to a network switch

Nr.	Icon	Indicator and control	Description
5		Device reset button	Restore factory default settings
6		Power indicator	Green: On
7		Fault warning indicator	Blinking yellow: unauthorized Solid yellow: device failure
8		Loudspeaker interface	Suitable for connecting PRP-UC15L loudspeaker
9		Mounting bracket	Bracket for wall mounting, horizontal or vertical mounting available

4 Accessories

Quantity	Components
1	Cabinet loudspeaker, 15 W, IP
1	Safety and user information leaflet
1	Terminal block (set)

5 Installation

5.1 Delivery conditions

The speaker is shipped from the factory with the following default property settings:

Parameters	Setup/Description
IP address	192.168.1.105
Subnet mask	255.255.255.0
Server IP	192.168.1.6
Name	PRP-UC15L-IP

5.2 Installation method

1. On the installation plane, open the M4 expansion bolt holes according to the requirements. The mounting method can be chosen horizontally or vertically according to the actual installation situation.
2. Connect the network cable, power adapter, audio signal input cable, loudspeaker connection cable, and organize the wires into the outlet slot.
3. Suspend the product to the wall by mounting brackets.
4. Rotate the front panel logo to the correct orientation.



Notice!

Expansion bolts and screws for installation should be prepared by the installer

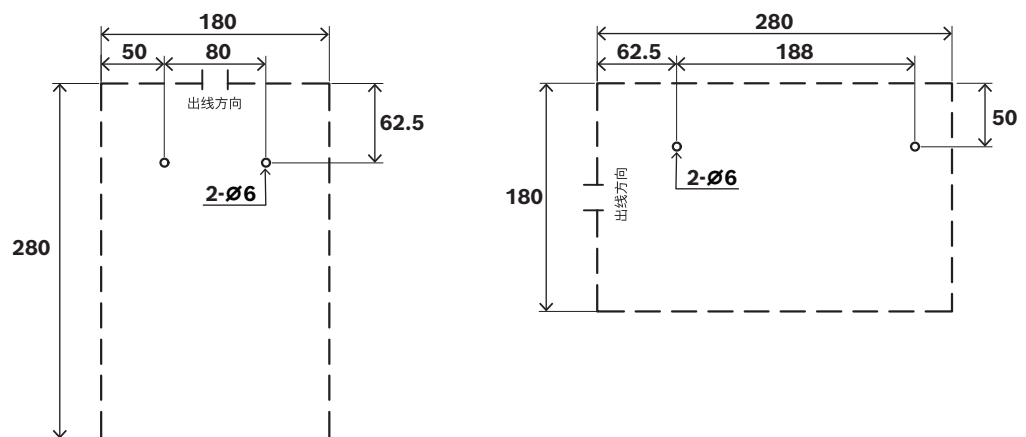


Figure 5.1: Selection and positioning of the mounting method

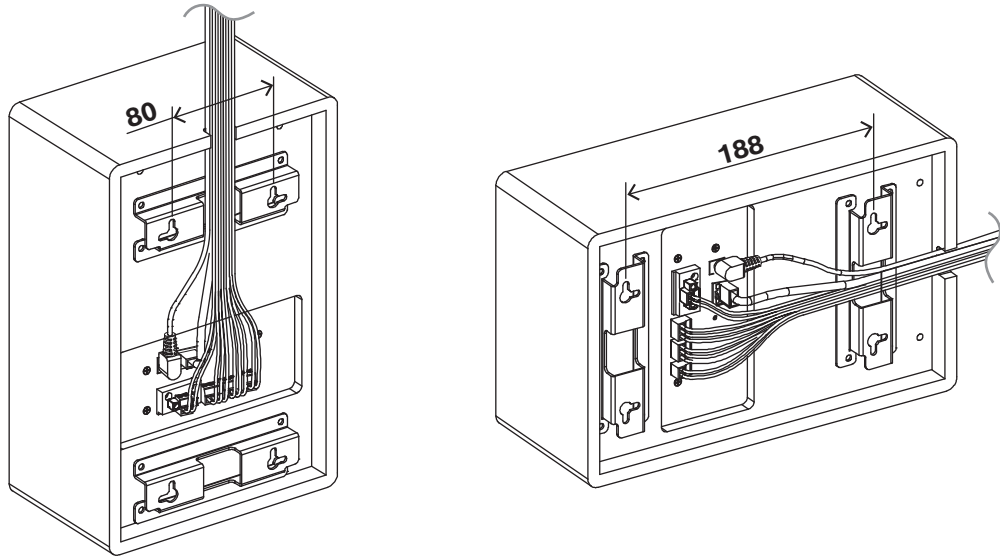


Figure 5.2: Organize speaker wiring

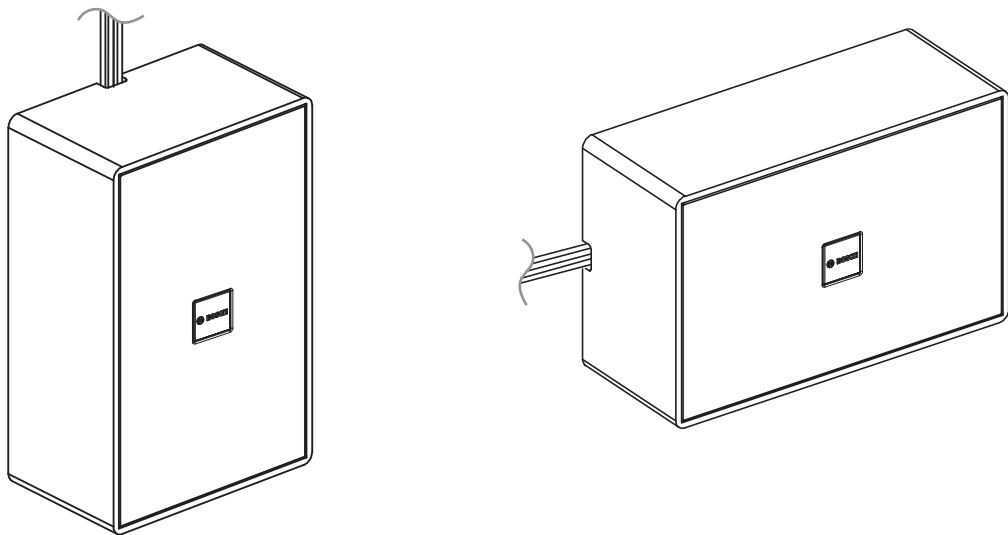


Figure 5.3: Hanging to the wall

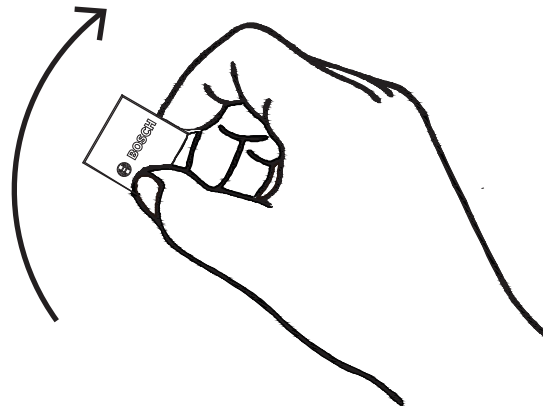


Figure 5.4: Rotating logo

6 Wiring

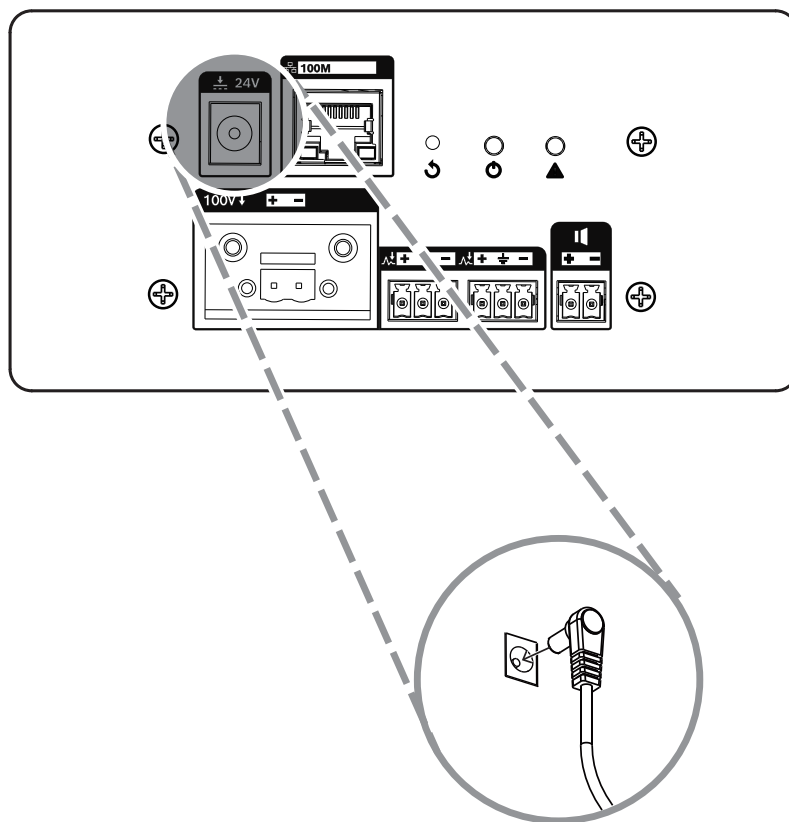


Figure 6.1: Power supply connection

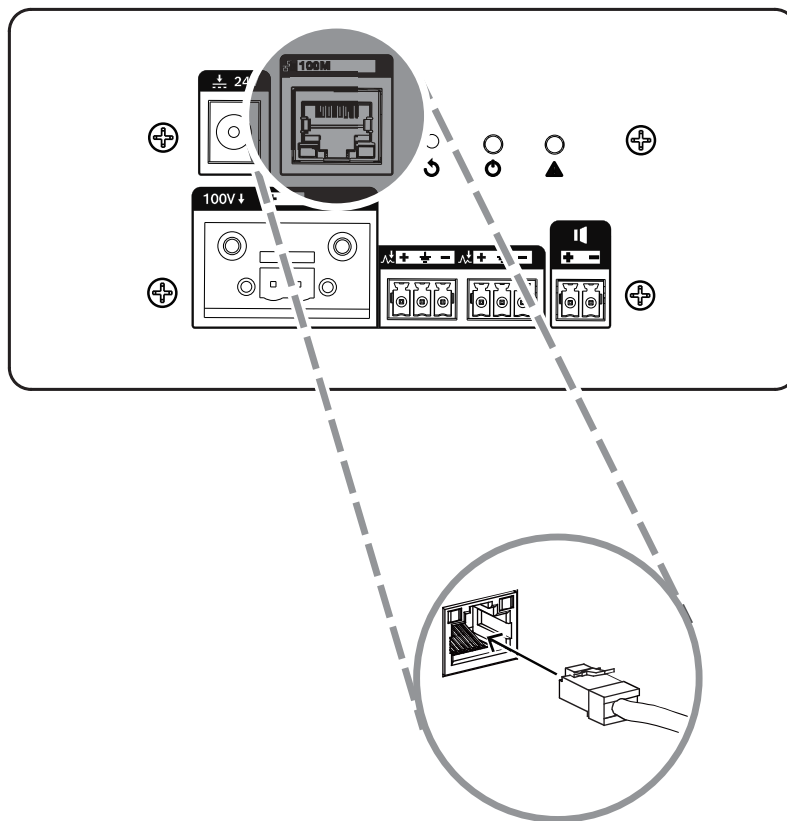


Figure 6.2: Network connection

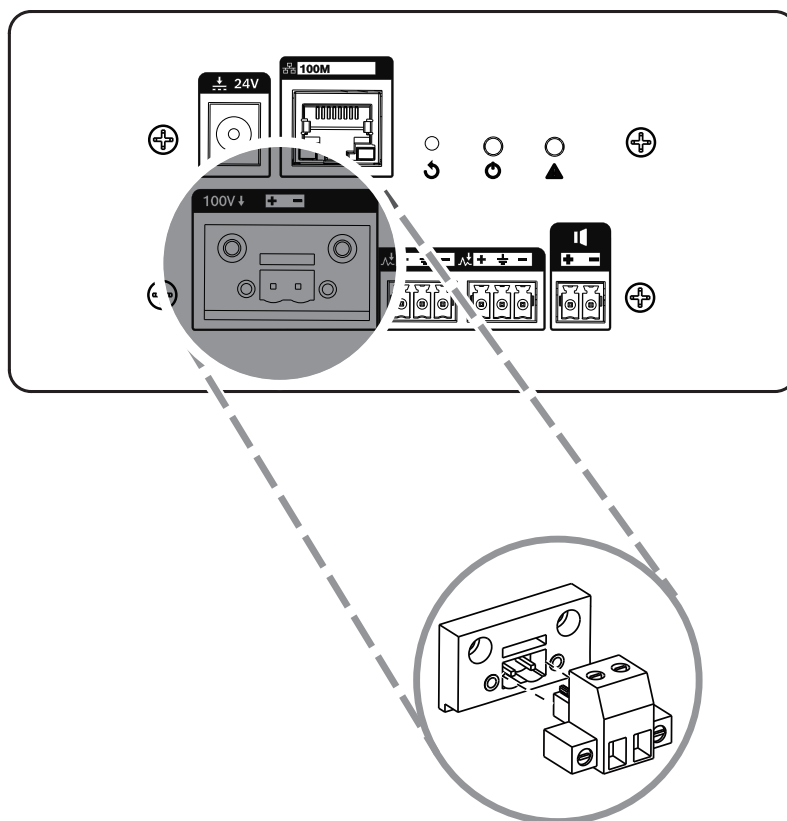


Figure 6.3: 100 V audio input connection

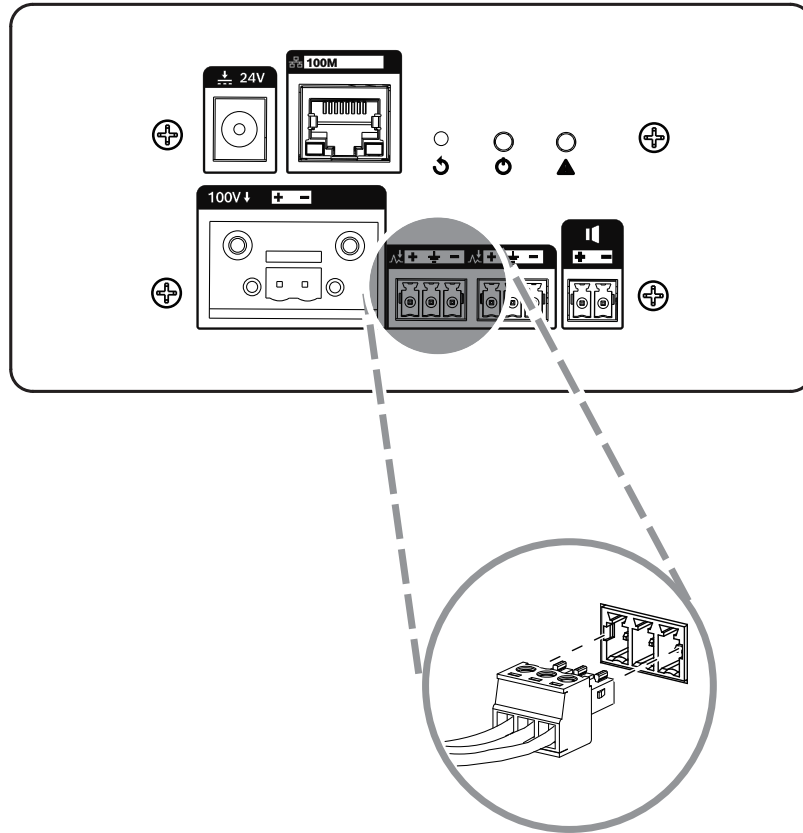


Figure 6.4: Local analog audio input 1 connection

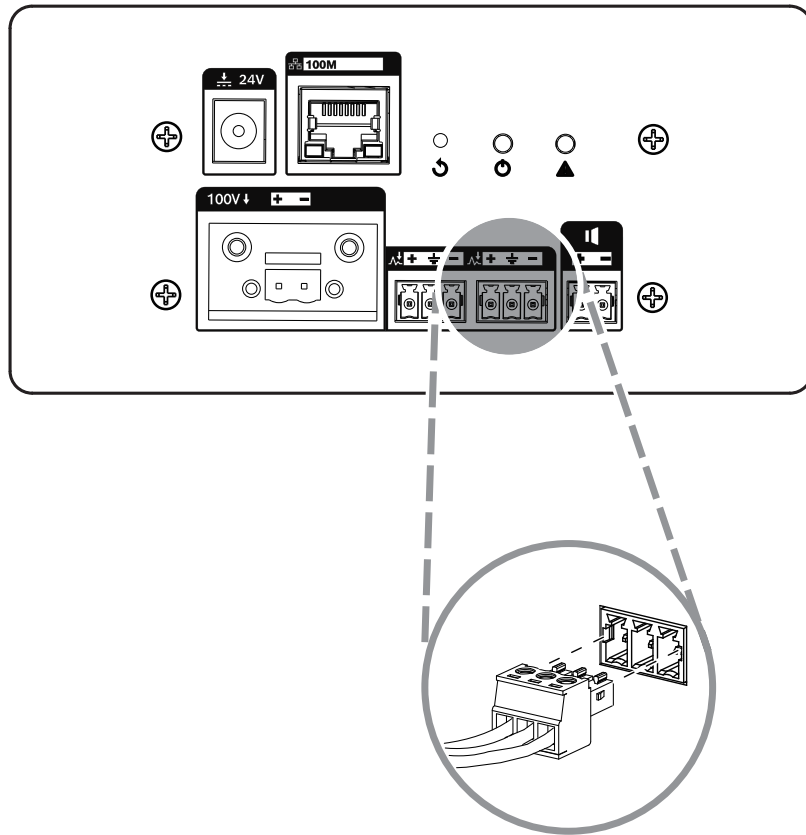


Figure 6.5: Local analog audio input 2 connection

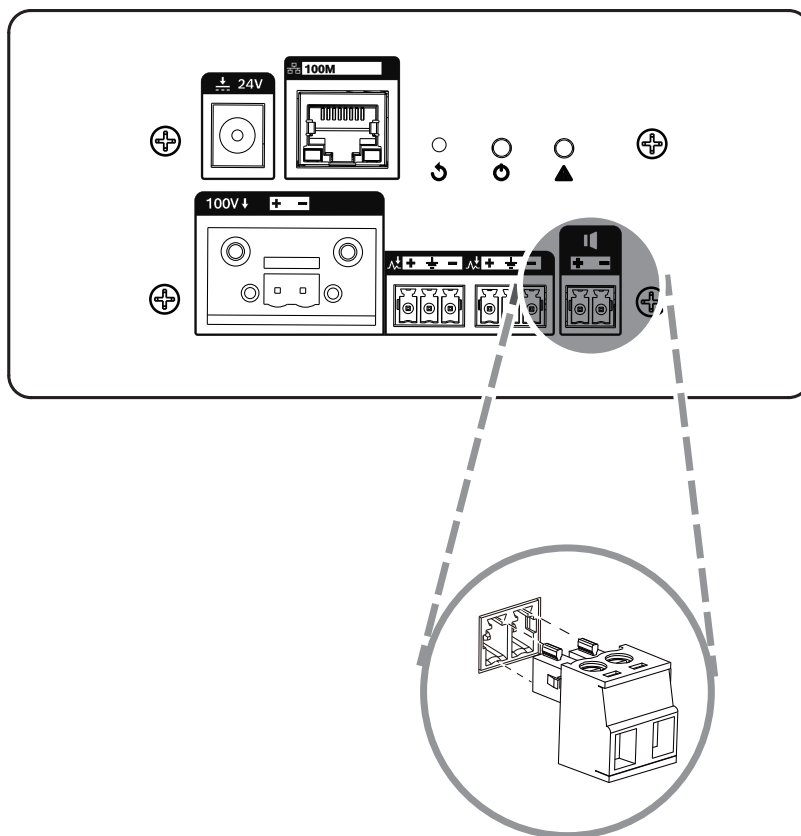


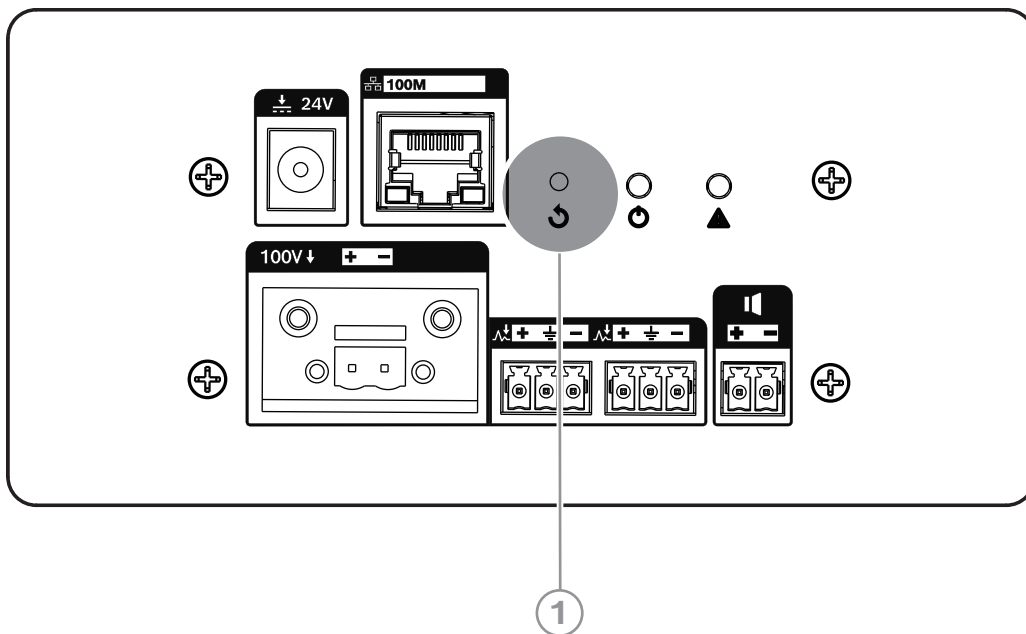
Figure 6.6: Loudspeaker connection

The PRP-UC15L-IP speaker can be connected to one PRP-UC15L 15 W loudspeaker.

7 Operation

Device reset

Press and hold the device reset button for 5 seconds, then release the device to reboot and return to the factory default configuration.



Nr.	Icon	Indicator and control	Description
1		Device reset button	Reset factory default settings

8 Maintenance

IP speakers do not require any special maintenance. To maintain cleanliness and a neat appearance, use a soft cloth to clean the speaker cabinet.

9 Technical data

Electrical

Power supply	
Power adapter	24 V / 2 A DC
Power consumption	<3 W @Standby
	<25 W @Rated output

Speaker	
Rated power (W)	15 W, 8 Ω
Sensitivity (1 W, 1 m, 1 kHz octave) (dB)	87 dB
Sound pressure level (rated power, 1 m, 1 kHz octave) (dB)	99 dB
Frequency range (-10 dB) (Hz)	95 Hz – 19.5 kHz
Coverage angle HxV (-6 dB, 1 kHz) ($^{\circ}$)	184 $^{\circ}$ x 170 $^{\circ}$
Coverage angle HxV (-6 dB, 4 kHz) ($^{\circ}$)	112 $^{\circ}$ x 35 $^{\circ}$

Power amplifier	
Type	2x 15 W, Class D amplifiers

Network interface	
Ethernet type	100 BASE-TX
Ethernet protocol	TCP/IP, UDP, RTP, TFTP, HTTP, HLS
Audio encoding	MP3, PCM
Interface	1x RJ45

Analog audio input	
Type	1x Loudspeaker output
	1x 100 V high priority input
	2x Line level input
Interface	2x 2-pin Phoenix connector
	2x 3-pin Phoenix connector
Maximum input level	6 dBu
Input impedance	>7 k Ω

Mechanical

Speaker	
Material	Wooden case, metal grille

Speaker	
Dimensions (H x W x D)	280 mm x 180 mm x 110 mm
Weight	2700 g
Color (RAL)	RAL 9003 Signal white

Brackets	
Material	Metal
Color (RAL)	RAL 9017 Traffic black
Mounting	Wall-mounted, optional horizontal or vertical orientation

Environmental

Operating temperature (°C)	-5°C – 45°C
Storage and transportation temperature (°C)	-40°C – 70 C
Operating relative humidity, non-condensing (%%)	<95%

10 Dimensions

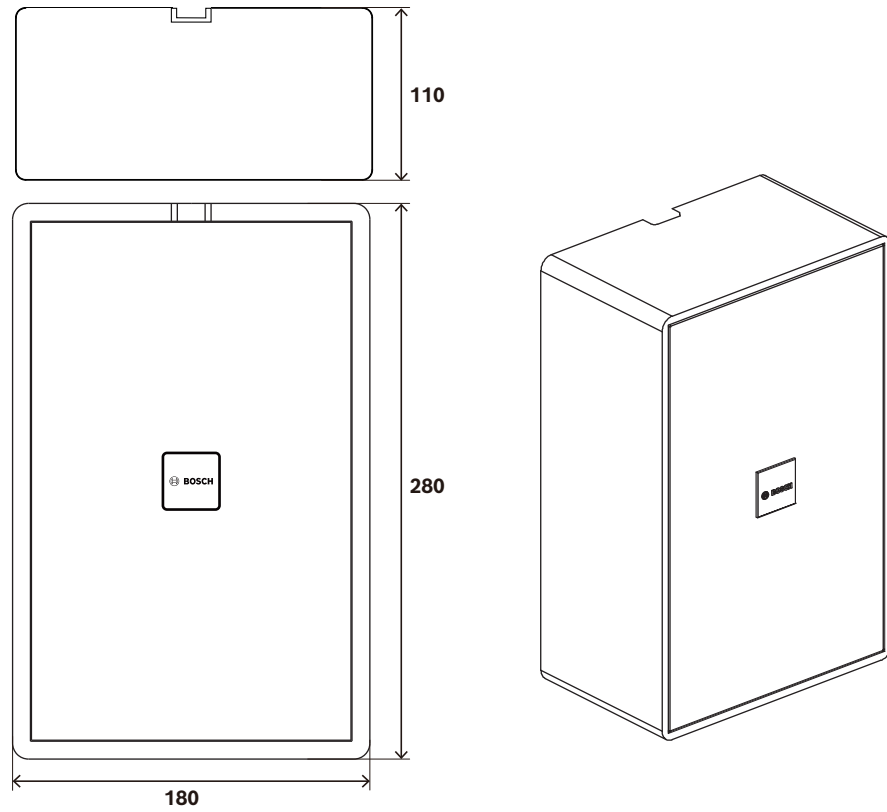


Figure 10.1: Dimensions in mm

Bosch Security Systems B.V.

Torenallee 49

5617 BA Eindhoven

Netherlands

www.boschsecurity.com

© Bosch Security Systems B.V., 2024

Building solutions for a better life

202410241207