

PRP-CST Call station

PROSPERO



The PRP-CST is a desktop call station with a touch screen and gooseneck microphone, capable of connecting to the PROSPERO Public Address System via a standard IP network for manual and pre-recorded announcements. The call station supports PoE, allowing connection to a standard Ethernet switch using a Cat5e cable.

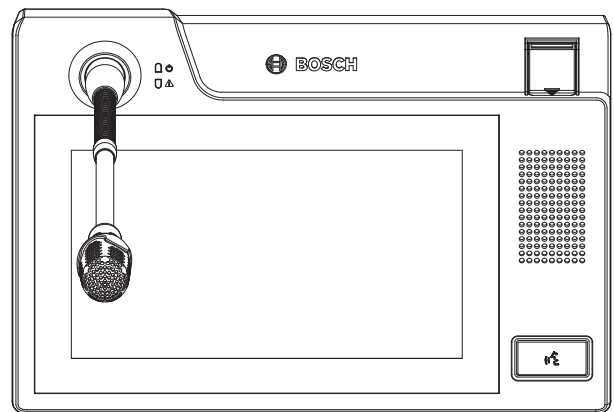
The front side offers a 7-inch full color touch screen with PIN code login authentication for access control, a PTT button and an emergency broadcast button with a protective cover to prevent accidental activation, used for daily broadcast operations. An audio input port is provided near the bottom of the device for connecting local audio sources. A built-in monitoring speaker allows for zone monitoring via the touch screen.

Functions

- Connection to the PROSPERO Public Address System via an IP network.
- Gooseneck microphone with flexible angle adjustment.
- 7-inch full-color capacitive touch screen with intuitive function menu.
- PTT button and emergency broadcast button.
- Real-time manual broadcasting, pre-recorded broadcasting, emergency broadcasting.
- Force-override emergency broadcast for manual announcements.
- Real-time zone monitoring with volume control.
- System equipment failure log view.
- PIN code login authentication access control.
- 1 Line-in audio input for connecting audio sources.
- Power supply status and fault status indicators.

- ▶ PoE, one-line direct connection
- ▶ PTT button and emergency broadcast button
- ▶ Built-in speaker, supports zone monitoring
- ▶ Audio input port for connecting local audio sources
- ▶ Suitable for the PROSPERO Public Address System


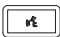
Installation/configuration notes

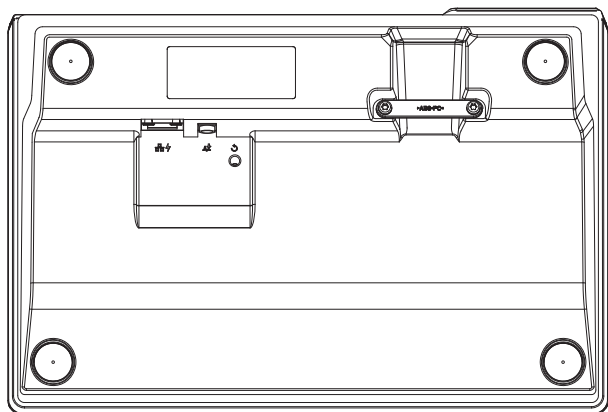


Top side indicators

!	Solid yellow	Equipment failure
	Blinking yellow	Unauthorized
⏻	Solid green	On

Top side controls




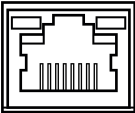
	Emergency broadcast button
	PTT call button



Bottom side controls

	Device reset (Restore factory defaults)	Button
---	---	--------

Bottom side interconnections

	Analog audio input port	
	Network interface (supports PoE)	

Parts included

Quantity	Component
1	Call station
1	Strain relief bracket and screws
1	Safety and user information leaflet

Technical specifications

Electrical

PoE power supply	
Rated input voltage (VDC)	48 V
PoE input	PoE IEEE 802.3af Class 3
Power consumption	<7 W

Network interface	
Ethernet type	100 BASE-TX
Ethernet protocol	TCP/IP, UDP, RTP, TFTP, HTTP, HLS
Audio encoding	MP3, PCM
Interface	1x RJ45

Microphone	
Nominal acoustic input level (dB SPL)	80 dB SPL – 100 dB SPL
Maximum acoustic input level (dB SPL)	120 dB SPL
Signal-to-noise ratio (SNR)	>70 dBA
Polar pattern	Unidirectional
Frequency response (+3/-6 dB) (Hz)	100 Hz – 14 kHz

Display	
Display size (in)	7 in
Touchscreen	Capacitive
Color depth	24-bit
Display resolution (pixels)	800 x 480 px
Brightness	300 cd/m ²

Monitor loudspeaker	
Rated input level 500 Hz – 3 kHz (@1 m)	75 dB SPL +/- 6 dB
Frequency range (-10 dB) (Hz)	500 Hz – 3 kHz

Analog audio input	
Frequency response	100 Hz – 18 kHz
Sampling rate	44.1 kHz
Type	1x Line level input

Analog audio input

Connector	1x 3.5 mm socket
Maximum input level	0 dBu
Input impedance	>22 kΩ

Mechanical

Material	PC, ABS
Dimensions (H x W x D)	370 mm x 238 mm x 158 mm
Weight	740 g
Color (RAL)	RAL 9017 Traffic black

Environmental

Operating temperature (°C)	-5°C – 45°C
Storage and transportation temperature (°C)	-40°C – 70°C
Operating relative humidity, non-condensing (%%)	<95%

Ordering information**PRP-CST Call station**

IP network connection, PoE, desktop call station with touchscreen and gooseneck microphone.

Order number **PRP-CST | F.01U.429.436**



<https://www.boschsecurity.com>