

LTC 9210/00, LTC 9212/00, LTC 9223/00



Security Systems

EN | Instruction Booklet
Indoor/ Outdoor
Mounts

BOSCH

SAFETY PRECAUTIONS



The exclamation point within an equilateral triangle is intended to alert the user to presence of important operating and maintenance (servicing) instructions in the literature accompanying the appliance.

SECURITE



Le point d'exclamation à l'intérieur d'un triangle équilatéral avertit l'utilisateur de la présence d'instructions importantes d'utilisation et de maintenance dans la documentation accompagnant l'appareil.

SICHERHEITSVORKENHRUNGEN



Das Ausrufezeichen in dem gleichseitigen Dreieck ist dazu da, den Benutzer auf wichtige Inbetriebnahme- und Instandhaltungs-vorschriften hinzuweisen, die dem Gerät in Form einer Broschüre beigelegt sind.

PRECAUCIONES DE SEGURIDAD



El símbolo de exclamación dentro de un triángulo equilátero, se muestra con el objetivo de alertar al usuario de que instrucciones de operación y mantenimiento importantes acompañan al equipo.

I UNPACKING

This equipment should be unpacked carefully and handled with care.

Check for the following items:

- Model number of unit.
- Instructions for Use.

If an item appears to have been damaged in shipment, replace it properly in its carton and notify the shipper. If any items are missing, notify Bosch Security Systems.

The shipping carton is the safest container in which the unit may be transported. Save it for possible future use.

2 SERVICE

If the unit ever needs repair service, the customer should contact the nearest Bosch Security Systems, Inc. Service Center for authorization to return and shipping instructions.

Service Centers

U.S.A.: 800-366-2283 or 717-735-6638

Fax: 800-366-1329 or 717-735-6639

Email: BoschCCTVParts@ca.slr.com

Canada: 514-738-2434

Europe, Middle East & Asia Pacific Regions

32-1-440-0711

For additional information, see www.boschsecurity.com

3 DESCRIPTION

LTC 9210/00 20-cm (8-in) Column Mount

LTC 9212/00 30-cm (12-in) Wall Mount

LTC 9223/00 60-cm (24-in) Column Mount

This series of indoor/outdoor mounting equipment is designed for fixed camera or camera housing installations up to 9 kg (20 lb) rated load. All five models are made of lightweight aluminum and feature welded construction providing an extremely rigid camera mount. They have been designed and styled for the LTC 9380 Series camera housings. All mounts come fully assembled.

4 INSTALLATION

1. Determine a secure wall mounting location.



WARNING: All mounts are designed to support a load only in a vertical direction. Mounts MUST be positioned as shown under SPECIFICATIONS.



Warning:

- a. For a secure installation use four 8-mm (5/16-in) diameter fasteners (not included). Use stainless steel or zinc plated fasteners.
 - b. If bolts are used, they should extend through the mounting surface and be secured with flat washers, lock washers, and nuts on the opposite side. Each bolt must have a minimum pull-out strength of 200 kg (450 lb).
 - c. If studs are used, they should be anchored in concrete or welded to a steel backer plate. Each stud must have a minimum pull out strength of 200 kg (450 lb).
 - d. If the wall mount is attached to wood or to a blind structure (with no access to the rear), each fastener must have a minimum pull-out strength of at least 200 kg (450 lb).
2. Locate the four holes or stud locations using the flange as a template (four holes equally spaced on a 69.9 mm (2-3/4 in bolt circle).
 3. Install the mount using bolts or studs at least 8-mm (5/16-in) in diameter.
 4. To mount the camera or camera housing:
 - a. Mount camera with a 1/4-20 bolt and lock washer (not furnished) in the center hole of the adjustable head.
 - b. Mount housings with three 1/4-20 bolts and lock washers (not furnished).

5 SPECIFICATIONS

5.1 LTC 9210/00, LTC 9212/00, LTC 9223/00 Indoor/Outdoor Mounts

Maximum Load: 9 kg (20 lb).

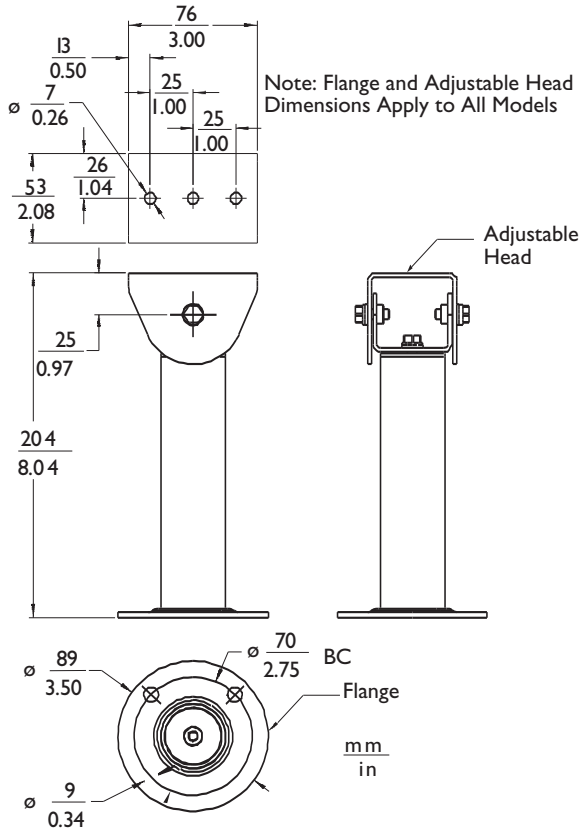
Mounting Head: Adjustable. 360° pan, 180° tilt.

Finish: Light gray.

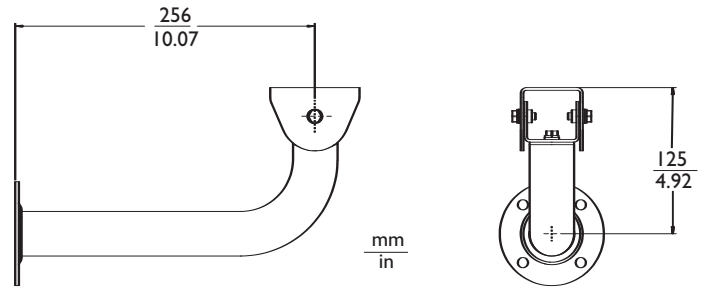
WARNING: All mounts must be mounted as shown.

5.2 LTC 9210/00 20-cm (8-in) Column Mount

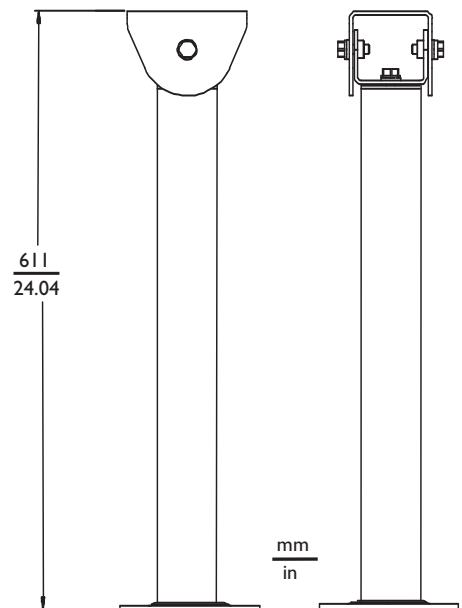
Approx. Weight: 300 g (0.6 lb).



5.3 LTC 9212/00 30-cm (12-in) Wall Mount Approx. Weight: 400 g (0.9 lb).



5.4 LTC 9223/00 600-cm (24-in) Column Mount Approx. Weight: 600 g (1.3 lb).



Americas

Bosch Security Systems
130 Perinton Parkway
Fairport, New York, 14450, USA
Phone: +1 (585) 223 4060
+1 (800) 289 0096
security.sales@us.bosch.com
<http://www.boschsecurity.us>

Europe, Middle East, Africa

Bosch Security Systems B.V.
P.O. Box 80002
5600 JB Eindhoven, The Netherlands
Phone: +31 (0) 40 27 83955
Fax: +31 (0) 40 27 86668
emea.securitysystems@bosch.com
<http://www.boschsecurity.com>

Asia-Pacific

Bosch Security Systems Pte Ltd
38C Jalan Pemimpin
Singapore 577180
Phone: +65 6319 3450
Fax: +65 6319 3499
apr.securitysystems@bosch.com
<http://www.boschsecurity.com>

@ 2005 Bosch Security Systems GmbH

F01U010457_01 05-28 | Updated July 15, 2005 | Data subject to change without notice.

BOSCH