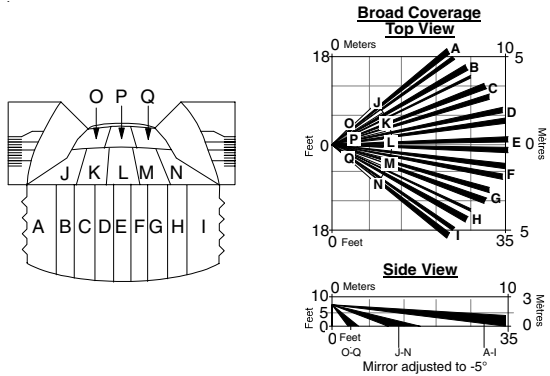


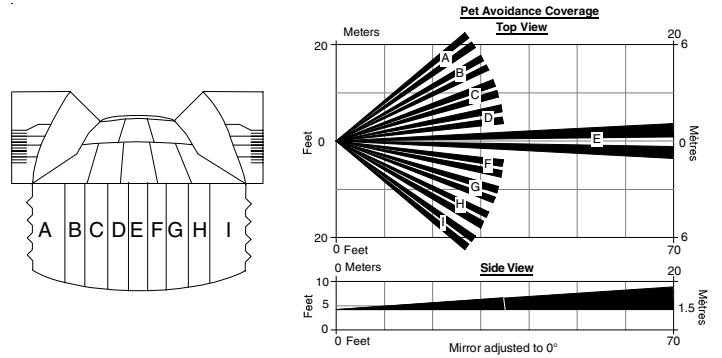
INSTALLATION INSTRUCTIONS

for the OM93 Series Mirrors

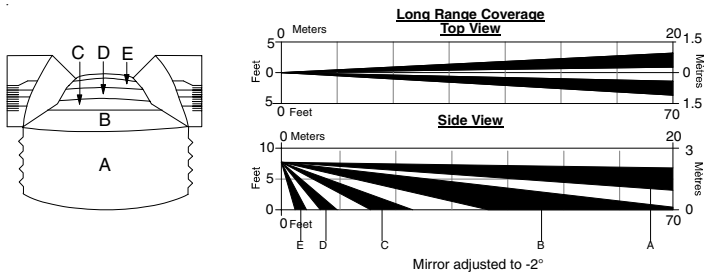
OMS93: Standard Broad Mirror



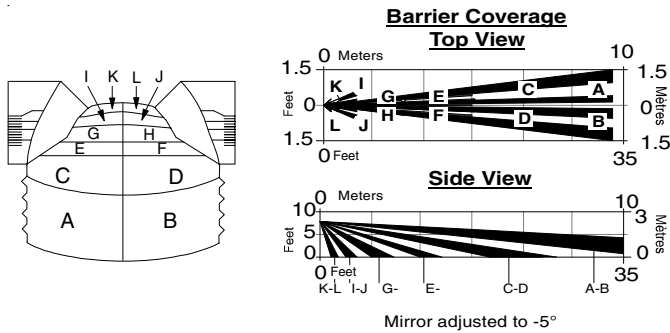
OMP93: Pet Avoidance Mirror



OMLR93 Long Range Mirror

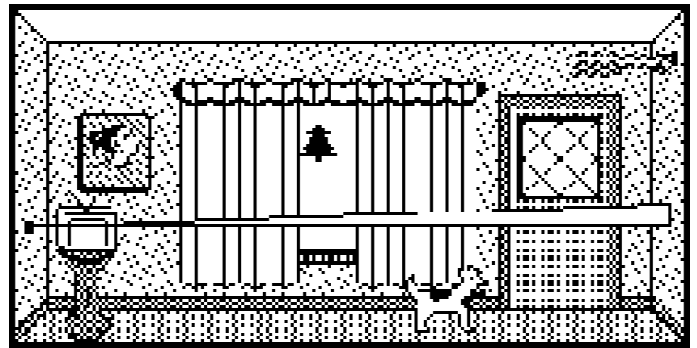


OMB93: Barrier Mirror



Pet Avoidance Mirror Considerations

The Pet Avoidance Mirror is intended to provide protection in installations where pets are allowed to move about freely.

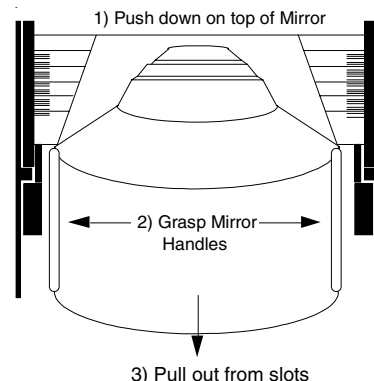


- Use the vertical aiming to adjust the mirror to 0° .
- Because the unit will be installed lower than normal, be sure to position the unit so that it has a clear line-of-sight across the room.
- To provide an accurate safety margin, install the unit no lower than twice the height of the pet, and never lower than 3 feet (1 meter).
- Make sure the field of view is free of all furniture or other objects upon which the pet could climb or jump, resulting in an unwanted alarm.

To replace the mirror, perform the following:

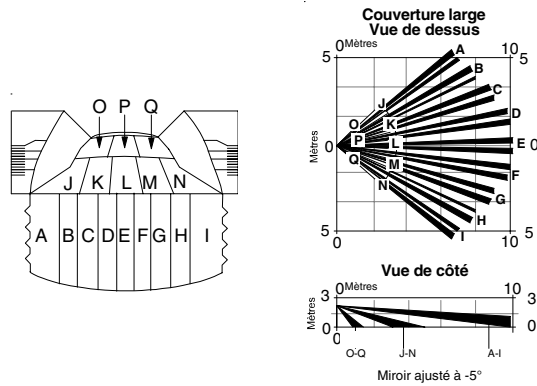
1. Remove the old mirror.
Pull it out from the grooves.
2. Replace with the new mirror.
Slide it into the grooves.

Be careful not to smudge the surface of the mirror with fingerprints.

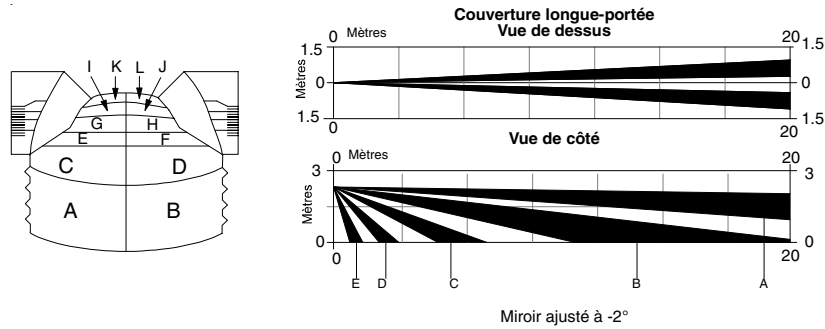


NOTICE D'INSTALLATION DES MIROIRS DE LA SERIE OM93

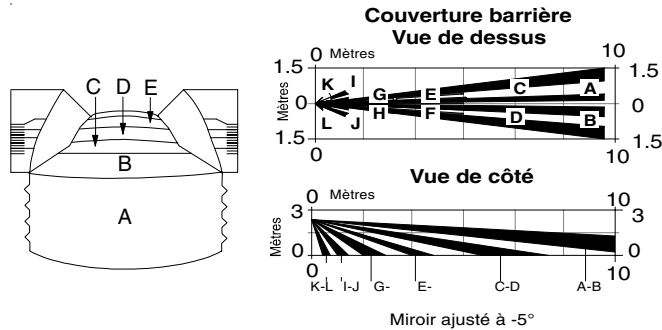
OMS93: Miroir large standard - 38032



OMLR93: Miroir Longue-portée - 28092



OMB93: Miroir Barrière - 28091



Pour remplacer le miroir:

- A. Pour retirer le miroir:
1. Pousser le miroir vers le bas
 2. Tenir le miroir par les côtés
 3. Tirer le miroir vers le bas pour le sortir de ses coulisses
- B. Pour replacer le miroir:
1. Glisser le miroir dans les coulisses cannelées
 2. Ajuster l'angle du miroir correspondant à la portée désirée
(Se référer à la notice d'installation du détecteur)

Prendre soin de ne pas salir les facettes du miroir!

