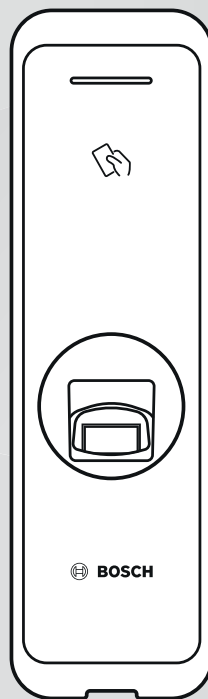


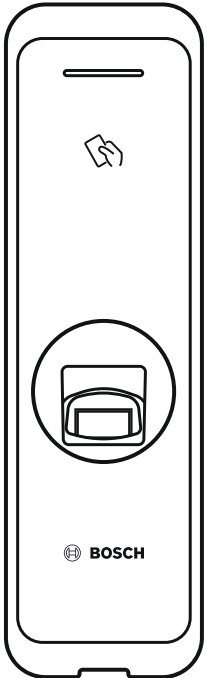
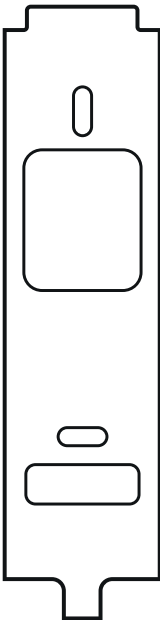
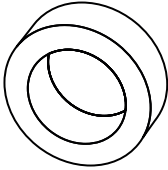
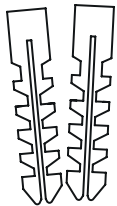
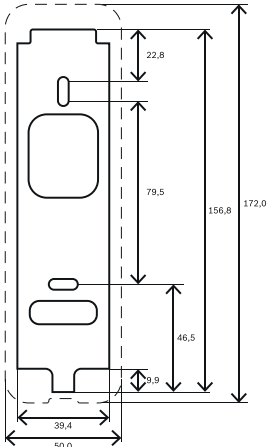
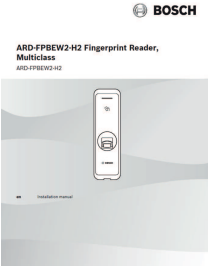
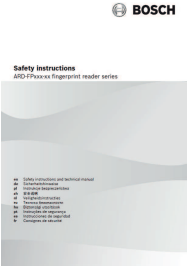
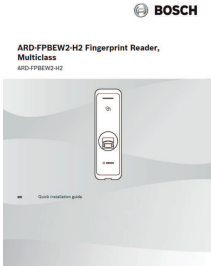
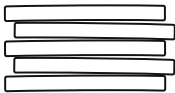

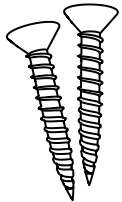
ARD-FPBEW2-H2 Fingerprint Reader, Multiclass

ARD-FPBEW2-H2

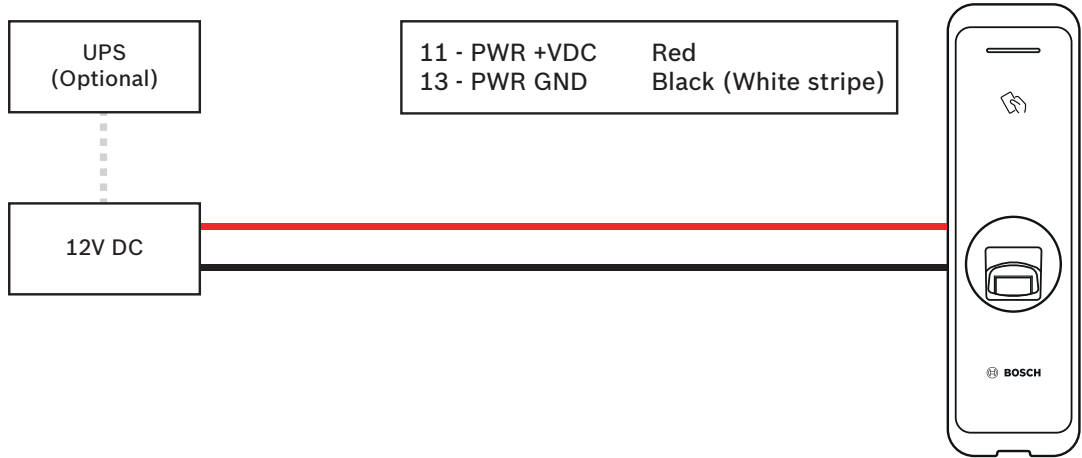


1 Connections

1.1 Components

 <p>ARD-FPBEW2</p>	 <p>Bracket</p>	 <p>Ferrite Core (1 EA)</p>	 <p>PVC anchor (2 EA)</p>
 <p>Drilling template</p>	 <p>OSS Manual</p>	 <p>Safety Instructions</p>	 <p>Quick Installation Guide</p>
 <p>Heat shrink</p>	 <p>Bracket Fixing Screw (Star Shaped)</p>	 <p>Fixing screw (2 EA)</p>	

1.2 Power Supply Connection



Warning!

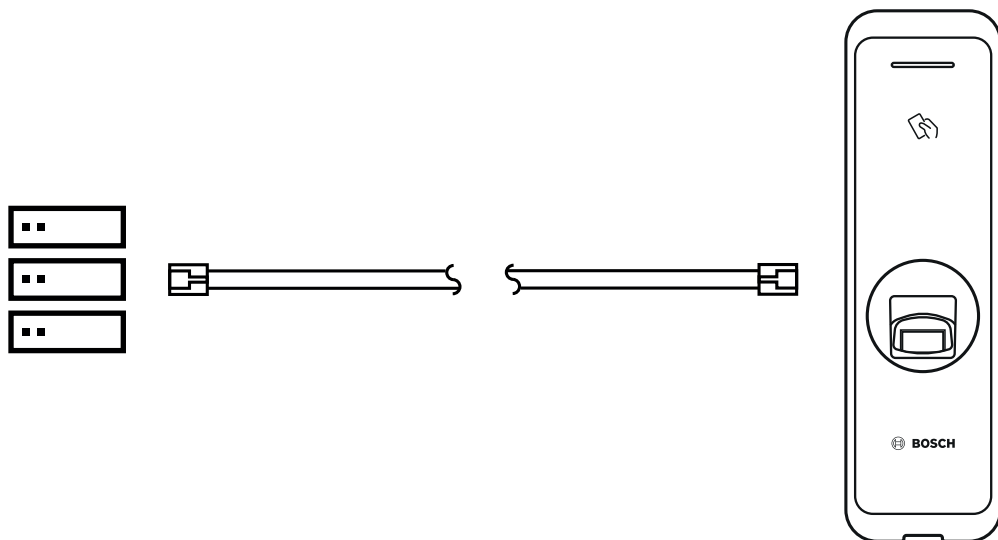
Do not connect the device to the DC power supply(or adapter) and PoE power supply at the same time.



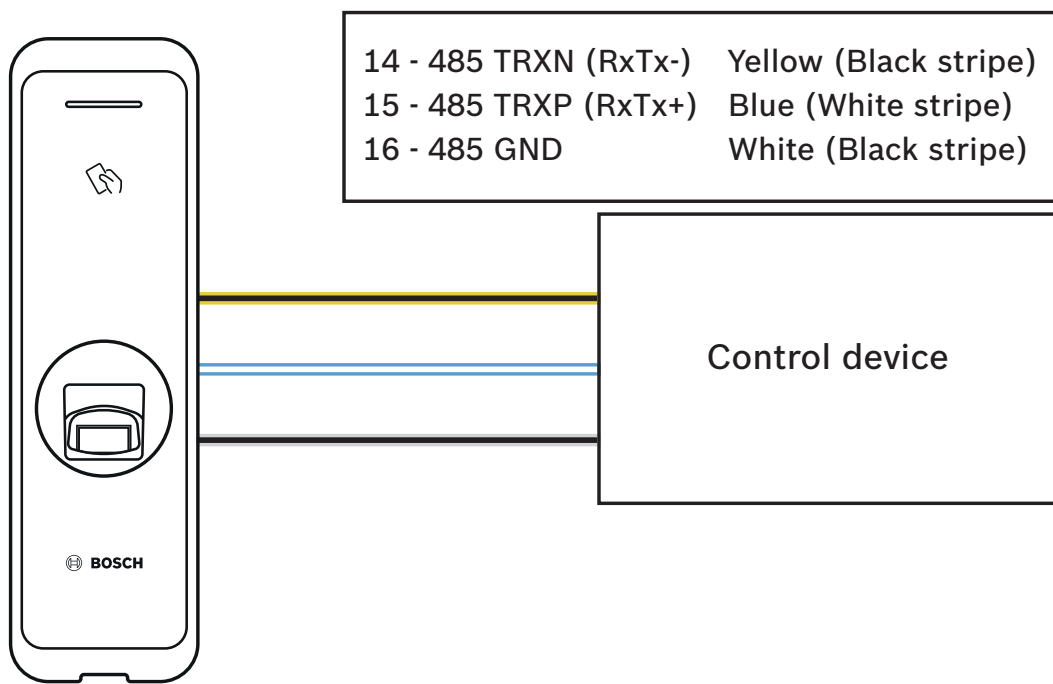
Notice!

Make sure to isolate the power connector cables if PoE is used for power supply.

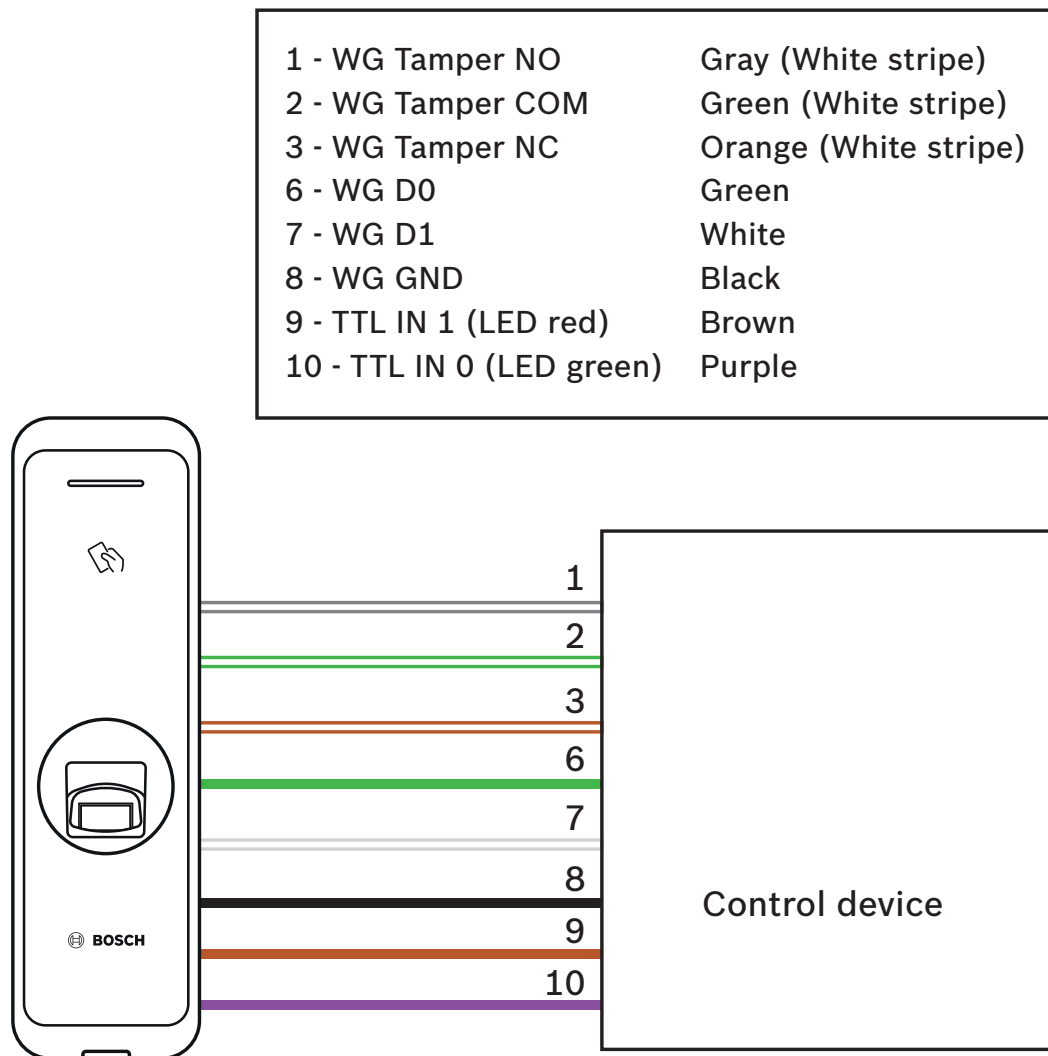
1.3 LAN Connection



1.4 RS-485 Connection



1.5 Wiegand Connection



1.6 UL 294 Requirements

The following UL 294 levels apply:

- Destructive attack - level 2
- Line security - level 2
- Endurance - level 1
- Standby power- level 1

If the unit is powered by an external power supply, you can use:

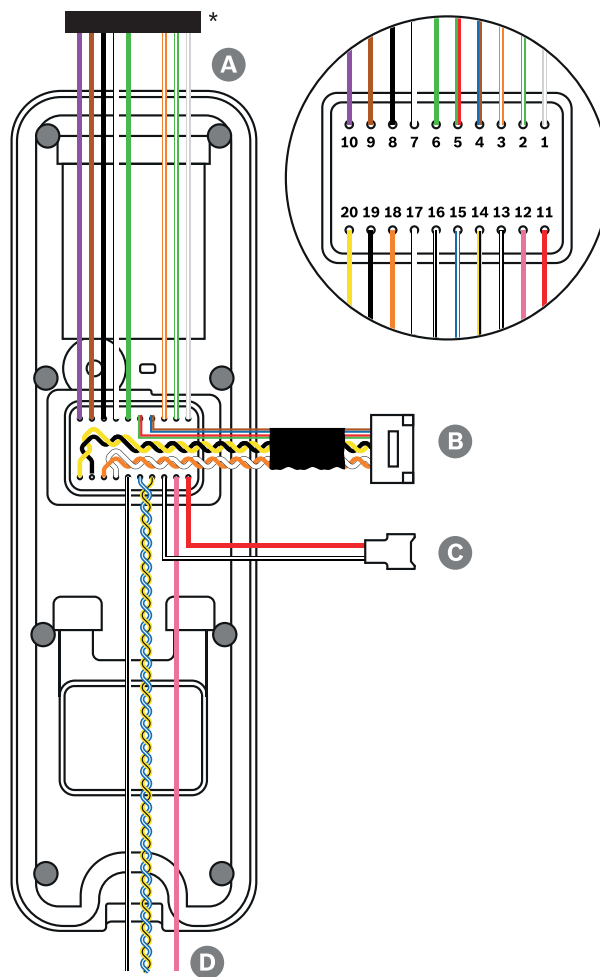
- UL Listed Class 2 power supply with 12VDC
- UL 294B Listed PoE power source

There are several conductors of size AWG 26.

Do not cover the conductors with a common cable jacket or equivalent.

Do not splice the lead to a conductor larger than 18 AWG (0.82 mm²).

1.7 Cables and connectors



* Cut the required wires off the connector plug.

Cable	Cable name
A	Wiegand cable
B	Ethernet cable
C	Power cable
D	RS485 cable

Cable	EN		DE	
	Name	Color	Name	Farbe
1	WG Tamper Rly NO	Gray (white stripe)	WG Tamper Rly NO	Grau (weißer Streifen)
2	WG Tamper Rly COM	Green (white stripe)	WG Tamper Rly COM	Grün (weißer Streifen)
3	WG Tamper Rly NC	Orange (white stripe)	WG Tamper Rly NC	Orange (weißer Streifen)
4	Not used	Blue	Nicht in Verwendung	Blau
		Brown		Braun
5	Not used	Red	Nicht in Verwendung	Rot
		Green		Grün
6	WG D0	Green	WG D0	Grün
7	WG D1	White	WG D1	Weiß
8	WG GND	Black	WG GND	Schwarz
9	TTL IN1 (LED red)	Brown	TTL IN1 (LED rot)	Braun
10	TTL IN0 (LED green)	Purple	TTL IN0 (LED grün)	Violett
11	PWR +VDC	Red	PWR +VDC	Rot
12	Not used	Pink	Nicht in Verwendung	Rosa
13	PWR GND	Black (white stripe)	PWR GND	Schwarz (weißer Streifen)
14	485 TRXN (Rx Tx-)	Yellow (black stripe)	485 TRXN (Rx Tx-)	Gelb (schwarzer Streifen)
15	485 TRXP (Rx Tx+)	Blue (white stripe)	485 TRXP (Rx Tx+)	Blau (weißer Streifen)
16	485 PAG	White (black stripe)	485 PAG	Weiß (schwarzer Streifen)
17	ENET TXP	White	ENET TXP	Weiß
18	ENET TXN	Orange	ENET TXN	Orange
19	ENET RXP	Black	ENET RXP	Schwarz
20	ENET RXN	Yellow	ENET RXN	Gelb

Cable	ES		FR	
	Nombre	Color	Nom	Couleur
1	WG Tamper Rly NO	Gris (franja blanca)	WG Tamper Rly NO	Gris (bande blanche)
2	WG Tamper Rly COM	Verde (franja blanca)	WG Tamper Rly COM	Vert (bande blanche)
3	WG Tamper Rly NC	Naranja (franja blanca)	WG Tamper Rly NC	Orange (bande blanche)
4	No usado	Azul	Non utilisé	Bleu
		Marrón		Brun
5	No usado	Rojo	Non utilisé	Rouge
		Verde		Vert
6	WG D0	Verde	WG D0	Vert
7	WG D1	Blanco	WG D1	Blanc
8	WG GND	Negro	WG GND	Noir
9	TTL IN1 (LED rojo)	Marrón	TTL IN1 (LED rouge)	Brun
10	TTL IN0 (LED verde)	Púrpura	TTL IN0 (LED verte)	Mauve
11	PWR +VDC	Rojo	PWR +VDC	Rouge
12	No usado	Rosa	Non utilisé	Rose
13	PWR GND	Negro (franja blanca)	PWR GND	Noir (bande blanche)
14	485 TRXN (Rx Tx-)	Amarillo (franja negra)	485 TRXN (Rx Tx-)	Jaune (bande noire)
15	485 TRXP (Rx Tx+)	Azul (franja blanca)	485 TRXP (Rx Tx+)	Bleu (bande blanche)
16	485 PAG	Blanco (franja negra)	485 PAG	Noir (bande noire)
17	ENET TXP	Blanco	ENET TXP	Blanc
18	ENET TXN	Naranja	ENET TXN	Orange
19	ENET RXP	Negro	ENET RXP	Noir
20	ENET RXN	Amarillo	ENET RXN	Jaune

Cable	IT		NL	
	Nome	Colore	Naam	Kleur
1	WG Tamper Rly NO	Grigio (striscia bianca)	WG Tamper Rly NO	Grijs (witte streep)
2	WG Tamper Rly COM	Verde (striscia bianca)	WG Tamper Rly COM	Groen (witte streep)
3	WG Tamper Rly NC	Arancione (striscia bianca)	WG Tamper Rly NC	Oranje (witte streep)
4	Non utilizzato	Blu	Niet gebruikt	Blauw
		Marrone		Bruin
5	Non utilizzato	Rosso	Niet gebruikt	Rood
		Verde		Groen
6	WG D0	Verde	WG D0	Groen
7	WG D1	Bianco	WG D1	Wit
8	WG GND	Nero	WG GND	Zwart
9	TTL IN1 (LED rosso)	Marrone	TTL IN1 (LED rood)	Bruin
10	TTL IN0 (LED verde)	Viola	TTL IN0 (LED groen)	Paars
11	PWR +VDC	Rosso	PWR +VDC	Rood
12	Non utilizzato	Rosa	Niet gebruikt	Roze
13	PWR GND	Nero (striscia bianca)	PWR GND	Zwart (witte streep)
14	485 TRXN (Rx Tx-)	Giallo (striscia nera)	485 TRXN (Rx Tx-)	Geel (zwarte streep)
15	485 TRXP (Rx Tx+)	Blu (striscia bianca)	485 TRXP (Rx Tx+)	Blauw (witte streep)
16	485 PAG	Bianco (striscia nera)	485 PAG	Wit (zwarte streep)
17	ENET TXP	Bianco	ENET TXP	Wit
18	ENET TXN	Arancione	ENET TXN	Oranje
19	ENET RXP	Nero	ENET RXP	Zwart
20	ENET RXN	Giallo	ENET RXN	Geel

Cable	PL		PT	
	Nazwa	Kolor	Nome	Cor
1	WG Tamper Rly NO	Szary (biały pasek)	WG Tamper Rly NO	Cinza (listra branca)
2	WG Tamper Rly COM	Zielony (biały pasek)	WG Tamper Rly COM	Verde (listra branca)
3	WG Tamper Rly NC	Pomarańcz. (biały pasek)	WG Tamper Rly NC	Laranja (listra branca)
4	Nieużywane	Niebieski	Não usado	Azul
		Brązowy		Marrom
5	Nieużywane	Czerwony	Não usado	Vermelho
		Zielony		Verde
6	WG D0	Zielony	WG D0	Verde
7	WG D1	Biały	WG D1	Branco
8	WG GND	Czarny	WG GND	Preto
9	TTL IN1 (czerwona LED)	Brązowy	TTL IN1 (LED vermelha)	Marrom
10	TTL IN0 (zielona LED)	Fioletowy	TTL IN0 (LED verde)	Roxo
11	PWR +VDC	Czerwony	PWR +VDC	Vermelho
12	Nieużywane	Różowy	Não usado	Rosa
13	PWR GND	Czarny (biały pasek)	PWR GND	Preto (listra branca)
14	485 TRXN (Rx Tx-)	Żółty (czarny pasek)	485 TRXN (Rx Tx-)	Amarelo (listra preta)
15	485 TRXP (Rx Tx+)	Niebieski (biały pasek)	485 TRXP (Rx Tx+)	Azul (listra branca)
16	485 PAG	Biały (czarny pasek)	485 PAG	Branco (listra preta)
17	ENET TXP	Biały	ENET TXP	Branco
18	ENET TXN	Pomarańczowy	ENET TXN	Laranja
19	ENET RXP	Czarny	ENET RXP	Preto
20	ENET RXN	Żółty	ENET RXN	Amarelo

Cable	RU		TR	
	Название	Цвет	AD	Renk
1	WG Tamper Rly NO	Серый (белая полоса)	WG Tamper Rly NO	Gri (Beyaz şerit)
2	WG Tamper Rly COM	Зеленый (белая полоса)	WG Tamper Rly COM	Yeşil (Beyaz şerit)
3	WG Tamper Rly NC	Оранжевый (белая полоса)	WG Tamper Rly NC	Turuncu (Beyaz şerit)
4	Не используется	Синий	Kullanılmıyor	Mavi
		Коричневый		Kahverengi
5	Не используется	Красный	Kullanılmıyor	Kırmızı
		Зеленый		Yeşil
6	WG D0	Зеленый	WG D0	Yeşil
7	WG D1	Белый	WG D1	Beyaz
8	WG GND	Черный	WG GND	Siyah
9	TTL IN1 (красный свет.)	Коричневый	TTL IN1 (LED kırmızı)	Kahverengi
10	TTL IN0 (зеленый свет.)	Фиолетовый	TTL IN0 (LED yeşil)	Mor
11	PWR +VDC	Красный	PWR +VDC	Kırmızı
12	Не используется	Розовый	Kullanılmıyor	Pembe
13	PWR GND	Черный (белая полоса)	PWR GND	Siyah (Beyaz şerit)
14	485 TRXN (Rx Tx-)	Желтый (черная полоса)	485 TRXN (Rx Tx-)	Sarı (Siyah şerit)
15	485 TRXP (Rx Tx+)	Синий (белая полоса)	485 TRXP (Rx Tx+)	Mavi (Beyaz şerit)
16	485 PAG	Белый (черная полоса)	485 PAG	Beyaz (Siyah şerit)
17	ENET TXP	Белый	ENET TXP	Beyaz
18	ENET TXN	Оранжевый	ENET TXN	Turuncu
19	ENET RXP	Черный	ENET RXP	Siyah
20	ENET RXN	Желтый	ENET RXN	Sarı

Cable	ZH-CHS		ZH-TW	
	姓名	颜色	名稱	顏色
1	WG Tamper Rly NO	灰色 (白色条纹)	WG Tamper Rly NO	灰色 (白色條紋)
2	WG Tamper Rly COM	綠色 (白色条纹)	WG Tamper Rly COM	綠色 (白色條紋)
3	WG Tamper Rly NC	橙色 (白色条纹)	WG Tamper Rly NC	橙色 (白色條紋)
4	未使用	藍色	未使用	藍色
		棕色		棕色
5	未使用	紅色	未使用	紅色
		綠色		綠色
6	WG D0	綠色	WG D0	綠色
7	WG D1	白色	WG D1	白色
8	WG GND	黑色	線規接地	黑色
9	TTL IN1 (紅色LED指示灯)	棕色	TTL IN1 (LED 紅色)	棕色
10	TTL IN0 (綠色LED指示灯)	紫色	TTL IN0 (LED 綠色)	紫色
11	PWR +VDC	紅色	電源 + VDC	紅色
12	未使用	粉色	未使用	粉紅色
13	PWR GND	黑色 (白色条纹)	電源接地	黑色 (白色條紋)
14	485 TRXN (Rx Tx-)	黃色 (黑色条纹)	485 TRXN (Rx Tx-)	黃色 (黑色條紋)
15	485 TRXP (Rx Tx+)	藍色 (白色条纹)	485 TRXP (Rx Tx+)	藍色 (白色條紋)
16	485 PAG	白色 (黑色条纹)	485 PAG	白色 (黑色條紋)
17	ENET TXP	白色	ENET TXP	白色
18	ENET TXN	橙色	ENET TXN	橙色
19	ENET RXP	黑色	ENET RXP	黑色
20	ENET RXN	黃色	ENET RXN	黃色

1.8 Notice

EN

**Notice!**

For further information on this product download the Installation Manual at our website:
<http://uk.boschsecurity.com>.

Go to Product Catalog > Access Control Systems > Readers and Cards > Biometric readers.

DE

**Notice!**

Laden Sie für weitere Informationen zu diesem Produkt die Bedienungsanleitung auf unserer Website herunter:

<http://de.boschsecurity.com/de>.

Gehen Sie zu Produktkatalog > Zutrittskontrollsysteme > Leser und Karten > Biometric readers.

ES

**Notice!**

Para obtener más información sobre este producto descargue el Manual de instalación en nuestro sitio web:

<https://es.boschsecurity.com/es>.

Catálogo de productos > Control de Acceso > Lectoras, Tarjetas y Accesorios > Biometric readers.

FR

**Notice!**

Pour plus d'informations sur ce produit, téléchargez le manuel d'installation sur notre site Web :

<https://fr.boschsecurity.com/fr>.

Accédez à Catalogue produits > Systèmes de contrôle d'accès > Lecteurs et cartes > Biometric readers.

IT

**Notice!**

Per ulteriori informazioni su questo prodotto, scaricare il manuale di installazione dal nostro sito Web:

<http://it.boschsecurity.com/it>.

Andare a Catalogo prodotti > Sistemi di controllo degli accessi > Lettori e schede > Biometric readers.

NL

**Notice!**

Voor meer informatie over dit product downloadt u de installatiehandleiding op onze website:
<http://nl.boschsecurity.com/nl>.

Ga naar Productcatalogus > Toegangscontrolesystemen > Lezers en kaarten > Biometric readers.

PL**Notice!**

Aby uzyskać więcej informacji na temat tego produktu, pobierz instrukcję instalacji z naszej strony internetowej:

<https://pl.boschsecurity.com/pl>.

Przejdź do opcji Katalog produktów > Systemy kontroli dostępu > Czytniki i karty > Biometric readers.

PT-BR**Notice!**

Para obter informações adicionais sobre este produto, baixe o Manual de Instalação no nosso site:

<https://pt.boschsecurity.com/pt>.

Acesse Catálogo de produtos > Sistemas de controle de > Leitores e cartões > Biometric readers.

RU**Notice!**

Для получения дополнительных сведений об этом продукте скачайте руководство по установке обеспечение на нашем веб-сайте:

<http://ru.boschsecurity.com/ru>.

Перейдите в раздел «Каталог продукции» > «Системы контроля доступа» > «Считыватели и карты» > «Biometric readers».

TR**Notice!**

Bu ürün hakkında daha fazla bilgi için web sitemizden Kurulum Kılavuzu ile cihaz yazılımını indirin:

<http://tr.boschsecurity.com/tr>.

Ürünler katalog > Kartlı Geçiş Sistemleri > Okuyucular ve Kartlar > Biometric readers.

ZH-CHS**Notice!**

关于此产品的更多信息，请从我们的网站下载《安装手册》和固件，网址为：

<http://cn.boschsecurity.com/zh/chanpin/chanpin-mulu>。

目录>“门禁控制系统”>“读卡器和卡”>“Biometric readers”。

ZH-TW**Notice!**

如需此產品的進一步資訊，請在我們的網站上下載安裝手冊與韌體：

http://cn.boschsecurity.com/zh_Tw/chanpin/chanpin-mulu。

目錄 > 門禁控制系統 > 讀卡機和卡片 > Biometric readers.



Bosch Access Systems GmbH

Charlottenburger Allee 50

52068 Aachen

Germany

www.boschsecurity.com

© Bosch Access Systems GmbH, 2019