

NDA-U-PSU1 PSU, 120VAC, for NDA-7100-PEN/PENF



- ▶ Aluminum enclosure rated to IP66 and UL Type 4X to prevent dust and water ingress
- ▶ IK10 impact rating ensures enclosure integrity

Bosch offers a series of stand-alone power supply units that provide 24 VAC power to AUTODOME 7100i non-IR cameras for applications without PoE or for redundant power applications with PoE. Each unit has a cover door that provides IP rating IP66/ UL Type 4X ingress protection and meets power and electrical safety requirements in extreme environmental conditions. The unique design and the IK10 rating protect the power supply units from vandalism and tampering events. These units can be mounted directly to a wall or other flat surface. Optional pole and corner mounting accessories are also available, allowing you to tailor your AUTODOME installation to your specific requirements. Multiple cable gland/conduit entry points protect cables and simplify installation. The NDA-U-PSU1 includes a 120 to 24VAC transformer.

EN 61000-3-3: 2013
 FCC 47 Part 15 B (Class A)
 CISPR 32 (Class A)

RoHS	Complies with EN IEC 63000:2018
Product Safety	Complies with EN, IEC, UL Standards including: 62368-1: 2014 60950-22:2016 CAN/CSA-C22.2 No. 62368-1-14

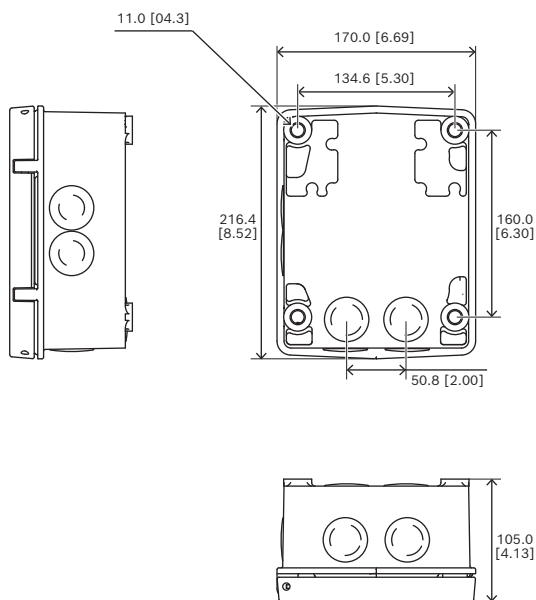
Region	Regulatory compliance/quality marks	
Europe	CE	NDA-U-PA- NDA-U-PSU-
Great Britain	UKCA	NDA-U-PA- NDA-U-PSU-

Regulatory information

For a full list of all related certifications/standards, refer to the Product Test Reports, available on the online catalog, on the Documents tab of the product page for your device. If the document is unavailable on the product page, contact your sales representative.

Electromagnetic Compatibility (EMC)	Complies with FCC Part 15, ICES-003 Issue 7 (for Canada only), and CE regulations, including latest versions of: EN 50130-4: 2011 EN 55032: 2015 + A11: 2020 (Class A) EN 61000-3-2: 2014
-------------------------------------	--

Installation/configuration notes



Parts included

Quantity	Component
1	NDA-U-PSU1 power supply box
1	Quick installation guide
1	Safety and security information manual

Technical specifications

Specifications	NDA-U-PSU1 NDA-7100-PEN NDA-7100- PENF
Input voltage (VAC)	120 VAC \pm 10%, 50/60 Hz
Output voltage (VAC)	24 VAC @ 3.15A, 50/60 Hz (IEC 62638-1 Limited Power Source)

Note: 24 VAC @ 2 A is not used.

Mechanical

Certifications	UL, CE, Plenum Rated
Dimensions (W x H x D), all models ²	170.0 x 216.4 x 105.0 mm (6.69 x 8.52 x 4.13 in.)

Represented by:

Europe, Middle East, Africa:
Bosch Security Systems B.V.
P.O. Box 80002
5600 JB Eindhoven, The Netherlands
Phone: +31 40 2577 284
www.boschsecurity.com/xc/en/contact/
www.boschsecurity.com

Germany:
Bosch Sicherheitssysteme GmbH
Robert-Bosch-Ring 5
85630 Grasbrunn
Tel.: +49 (0)89 6290 0
Fax: +49 (0)89 6290 1020
de.securitysystems@bosch.com
www.boschsecurity.com

North America:
Bosch Security Systems, LLC
130 Perinton Parkway
Fairport, New York, 14450, USA
Phone: +1 800 289 0096
Fax: +1 585 223 9180
onlinehelp@us.bosch.com
www.boschsecurity.com

Asia-Pacific:
Robert Bosch (SEA) Pte Ltd, Security Systems
11 Bishan Street 21
Singapore 573943
Phone: +65 6571 2808
Fax: +65 6571 2699
www.boschsecurity.com/xc/en/contact/
www.boschsecurity.com

Construction Material	Cast Aluminum
Standard Color	White (RAL9003)
Standard Finish	Powder coated, sand finish

2. Dimensions for power supplies include the cover.

Environmental

Operating Temperature	-60°C to 60°C (-76°F to 140°F)
Humidity	0% to 100%, condensing
Environmental Protection	IP66, IK 10 (IEC 62262), UL Type 4X

Ordering information

NDA-U-PSU1 PSU, 120VAC, for NDA-7100-PEN/PENF
Power supply unit with 120 VAC transformer, IK10
Order number **NDA-U-PSU1 | F.01U.411.640**

Accessories

NDA-U-PMAL Pole mount adapter large
Universal pole mount adapter, white; large
Order number **NDA-U-PMAL | F.01U.324.944**

NDA-U-CMT Corner mount adapter
Universal corner mount, white
Order number **NDA-U-CMT | F.01U.324.946**