

## NDA-9501-PMA Pole mount adapter for NPD-9501-E

### Accessories for NPD-9501-E



This pole mount adapter gives you the option to install an outdoor midspan to a pole.

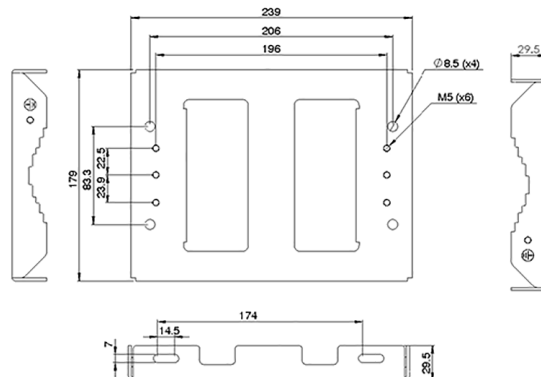
#### Parts included

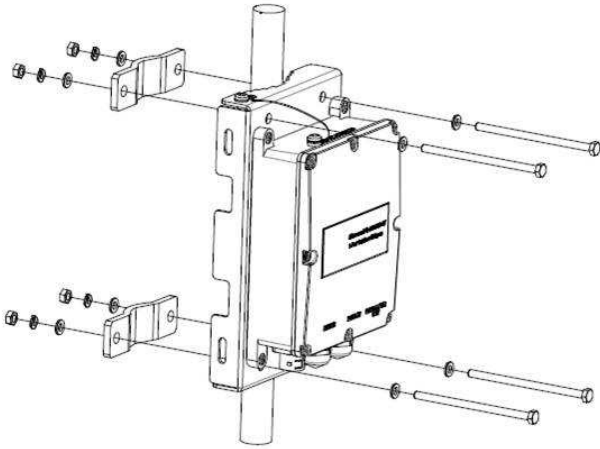
Quantity	Component
1	Mounting bracket
2	Worm clamp [to install on a pole of 3 in. to 8 in.]
2	Omega clamp [to install on a pole of 1 in. to 3 in.]
6	Screw with pan head, M5 mm x 16 mm [to attach the midspan to the metal bracket]
4	Screw with hex head, M6 mm x 110 mm [to install on a pole of 1 in. to 3 in.]
4	Hex nut, M6 [to use with the Screw with hex head, M6 mm x 110 mm]
8	Flat washer, M6 [to use with the Screw with hex head, M6 mm x 110 mm]
6	Flat washer, M5 [to connect the ground cable and/or to attach the midspan to the metal bracket]
4	Spring lock washer, M6 [to use with the Screw with hex head, M6 mm x 110 mm]
6	Washer lock tooth, M5

- ▶ Designed to resist harsh environmental conditions, including exposure to rain and humidity
- ▶ Suitable for installation on small and large poles with diameters ranging from 25.4 mm to 203.2 mm (1 in. to 8 in.)
- ▶ Pole mount adapter is RoHS-compliant, Pb-free
- ▶ Easy to install

#### Technical specifications

Dimensions	239 mm × 179 mm × 29.5 mm (9.4 in. × 7.0 in. × 1.2 in.)
Weight	1.6 kg (3.5 lb)





### Ordering information

**NDA-9501-PMA Pole mount adapter for NPD-9501-E**  
Pole mount adapter for outdoor midspan  
Order number **NDA-9501-PMA | F.01U.374.407**

#### Represented by:

**Europe, Middle East, Africa:**  
Bosch Security Systems B.V.  
P.O. Box 80002  
5600 JB Eindhoven, The Netherlands  
Phone: + 31 40 2577 284  
emea.securitysystems@bosch.com  
emea.boschsecurity.com

**Germany:**  
Bosch Sicherheitssysteme GmbH  
Robert-Bosch-Ring 5  
85630 Grasbrunn  
Germany  
www.boschsecurity.com

**North America:**  
Bosch Security Systems, LLC  
130 Perinton Parkway  
Fairport, New York, 14450, USA  
Phone: +1 800 289 0096  
Fax: +1 585 223 9180  
onlinehelp@us.bosch.com  
www.boschsecurity.us

**Asia-Pacific:**  
Robert Bosch (SEA) Pte Ltd, Security Systems  
11 Bishan Street 21  
Singapore 573943  
Phone: +65 6571 2808  
Fax: +65 6571 2699  
apr.securitysystems@bosch.com  
www.boschsecurity.asia