

## NDA-7100-PIPE Pipe mount for AUTODOME 7100i AUTODOME 7100i



The NDA-7100-PIPE is a pipe mount accessory to mount AUTODOME 7100i and AUTODOME 7100i IR cameras.

### Installation/configuration notes

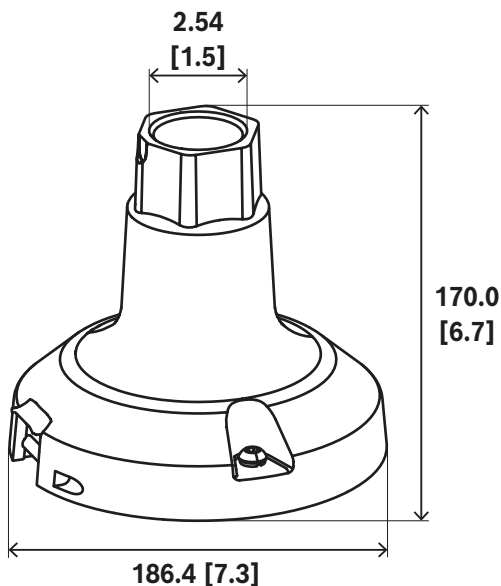


Fig. 1: Dimensions in mm (in.) of NDA-7100-PIPE | NDA-7100-PIPEF

### Parts included

| Quantity | Component   |
|----------|---|
| 1        | Pipe mount for AUTODOME 7100i or AUTODOME 7100i IR camera |

- ▶ Allows installation of an AUTODOME camera to a 1.5" NPT pipe
- ▶ White finish to match other mounting accessories

| Quantity | Component   |
|----------|---|
| 1        | Roll of Teflon tape   |
| 1        | 5mm hex key   |
| 1        | Quick Installation Guide for AUTODOME 7100i camera + pipe mount |

### Technical specifications

|                         |                        |
|-------------------------|------------------------|
| Impact protection       | IK10                   |
| Material                | Anodized cast Aluminum |
| Color in RAL            | RAL 9003 Signal white  |
| Coating type            | Powder coat            |
| Material finish         | Smooth                 |
| Dimensions (Ø x H) (mm) | 186.42 mm x 150 mm     |
| Dimensions (Ø x H) (in) | 7.30 in x 5.90 in      |
| Weight (kg)             | 1.20 kg                |
| Weight (lb)             | 2.60 lb                |

### Ordering information

**NDA-7100-PIPE Pipe mount for AUTODOME 7100i**  
Pipe mount for AUTODOME 7100i and AUTODOME 7100i IR cameras  
Order number **NDA-7100-PIPE | F.01U.389.330**