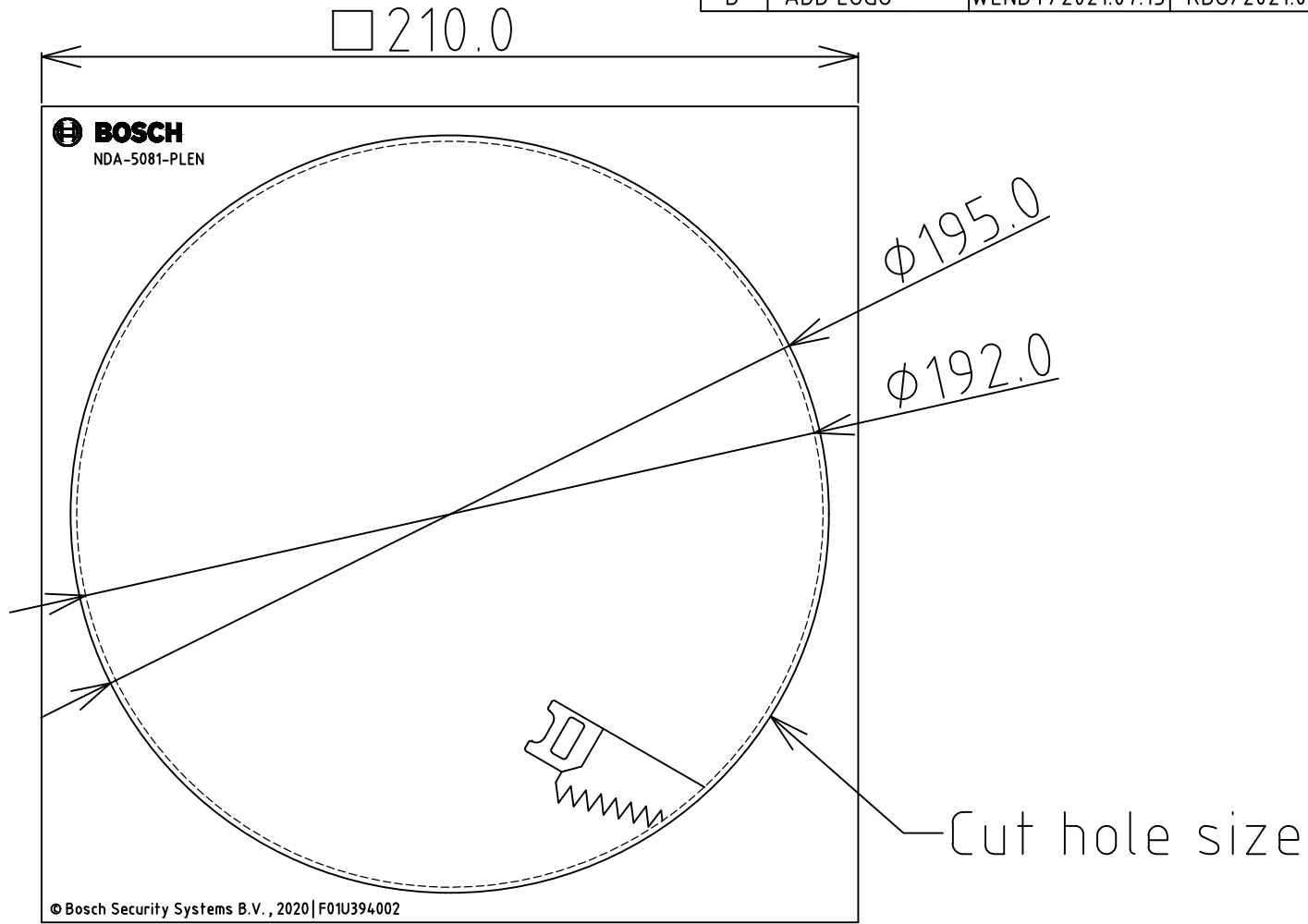

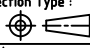


REV.	DESCRIPTION	DESIGN/DATE	REVIEW/DATE	APPROV/DATE
A	RELEASE	WENDY/2021.07.13	RBO/2021.07.13	RICH/2021.07.13
B	ADD LOGO	WENDY/2021.07.15	RBO/2021.07.15	RICH/2021.07.15



ROHS

Unless Otherwise Specified Tolerance : X.X = $\pm 0.3$ X.XX = $\pm 0.15$ Angles : X.X = $\pm 2$ deg	 WANG JHEN WANG JHEN TECHNOLOGY CO., LTD		Product Name : F01U394002	
	Designer : WENDY/2021.07.13	Unit : mm	Scale : 1 : 1	REV.
Material :	Reviewer : RBO/2021.07.13	Projection Type : 	Page : 1 of 1	B
	Approver : RICH/2021.07.13	RFQ No. :		