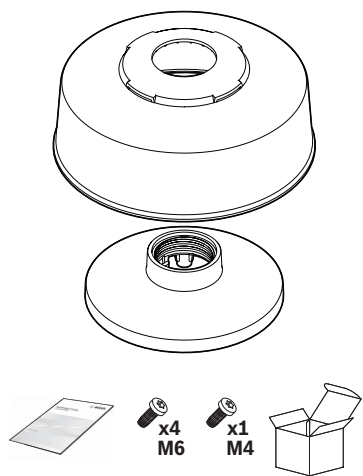
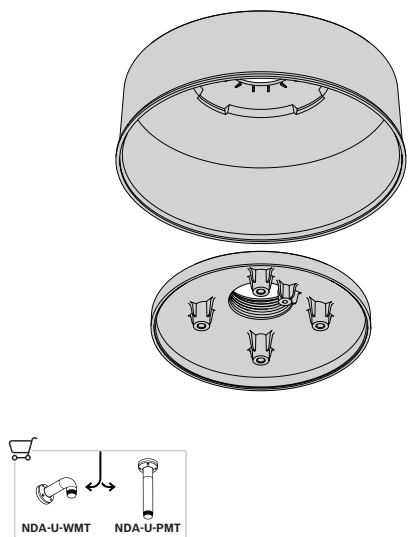


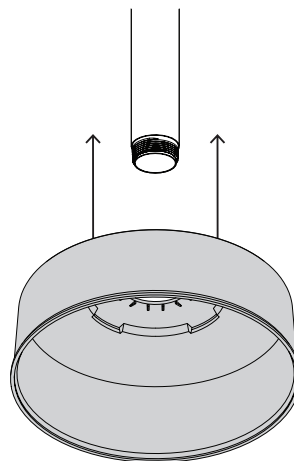
1 |



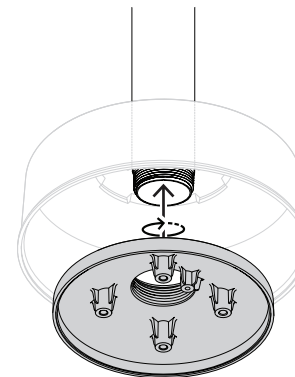
2 |



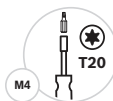
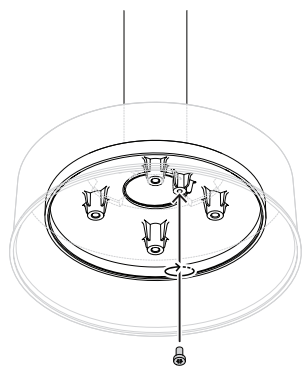
3 |



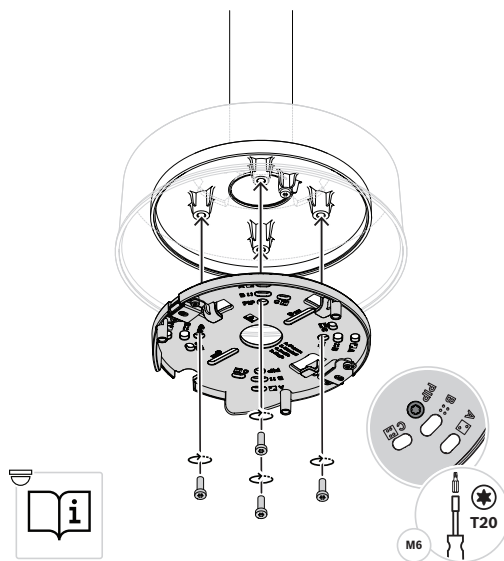
4 |



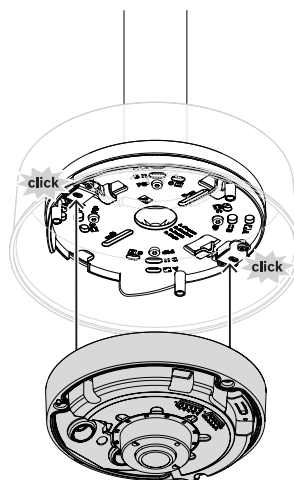
5 |



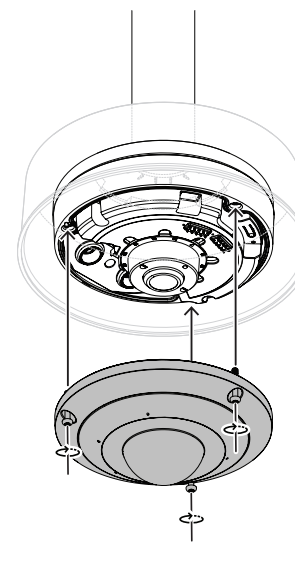
6 |

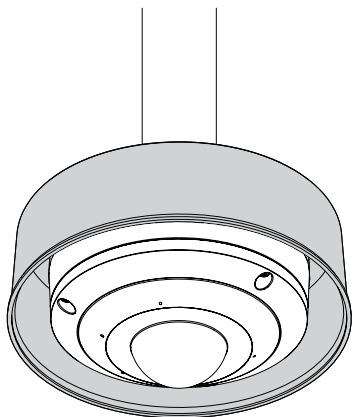


7 |

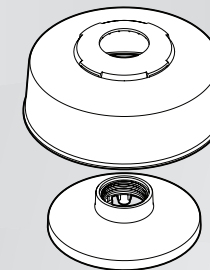


8 |





Pendant interface plate, outdoor, 148mm
NDA-5080-PIPW



en Quick installation guide

Bosch Security Systems B.V.
Torenallee 49
5617 BA Eindhoven
Netherlands
www.boschsecurity.com
© Bosch Security Systems B.V., 2021