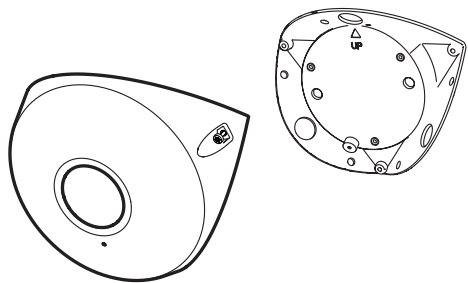


1 |

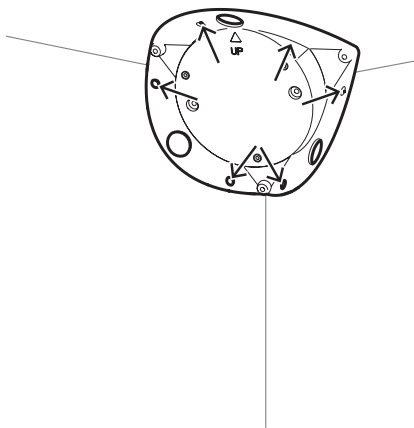


x3  
M4 TR15

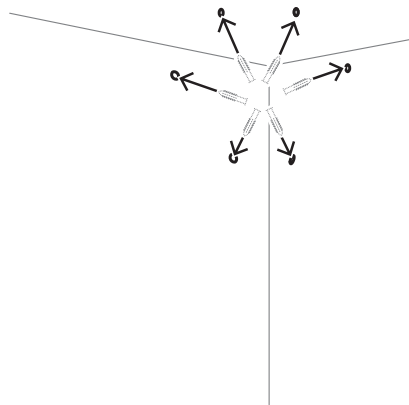
x2  
M4



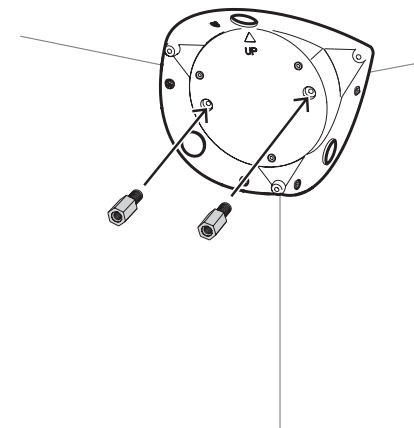
2 |



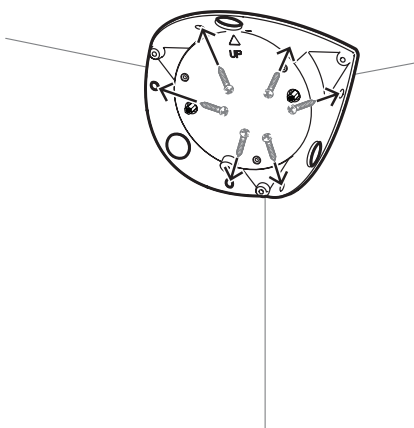
3 |



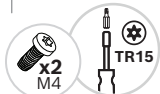
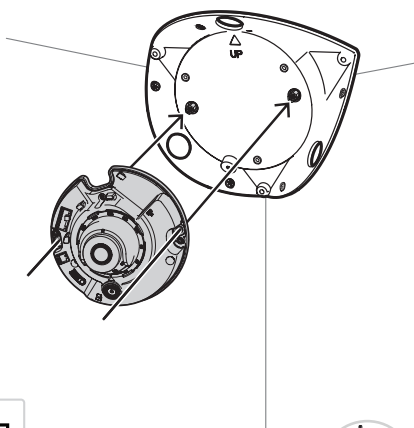
4 |



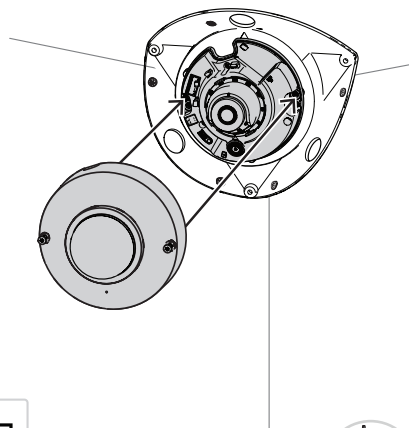
5 |



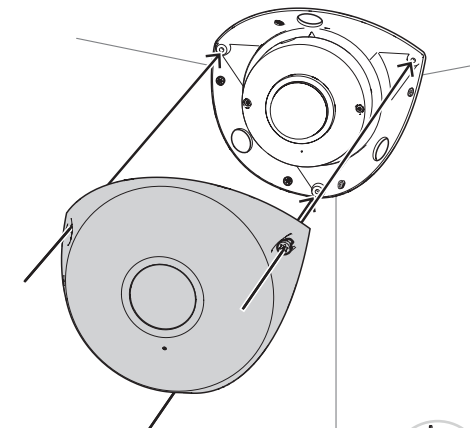
6 |



7 |

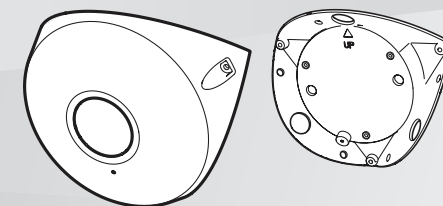


8 |



**Corner mount box 45°, 110mm**

NDA-5080-CMB

**en** Quick installation guide

**Bosch Security Systems B.V.**  
Torenallee 49  
5617 BA Eindhoven  
Netherlands  
**[www.boschsecurity.com](http://www.boschsecurity.com)**  
© Bosch Security Systems B.V., 2021