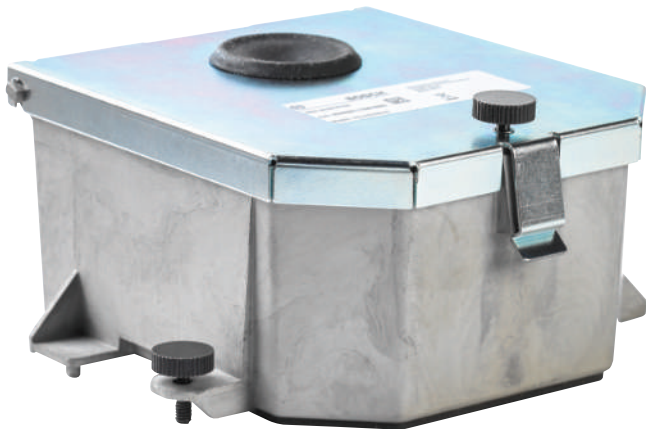


NDA-4020-PLEN Plenum box for PTZ dome



- ▶ Complete plenum-rated solution for in-ceiling variant of AUTODOME IP 4000i and AUTODOME IP 5000i cameras
- ▶ Complies with safety requirements (UL2043) for installation above the ceiling
- ▶ Modular design for fast and easy installation

Functions

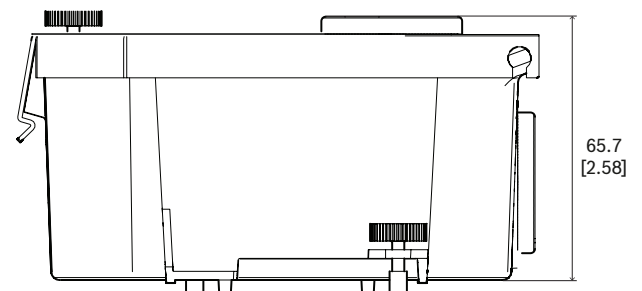
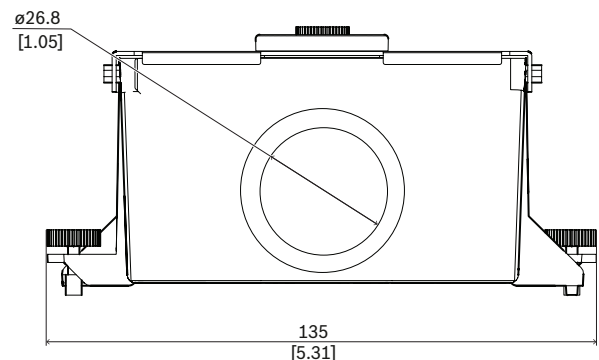
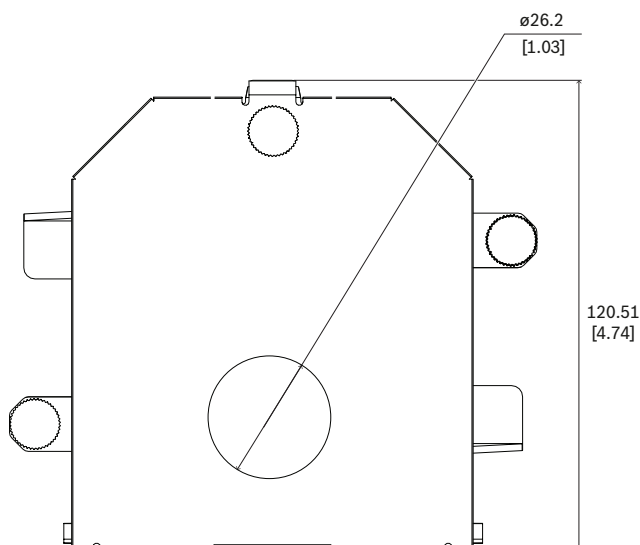
The plenum-rated box complies with the building safety code by slowing down the spread of smoke and flames. The unit is designed for safe installation of AUTODOME IP 4000i and AUTODOME IP 5000i cameras in an in-ceiling scenario. The unit complies with UL2043.

Regulatory information

Environmental

Fire test	UL 2043
-----------	---------

Installation/configuration notes



Dimensions in mm (inch)

Parts included

Quantity	Component
1	Plenum box for PTZ dome
1	Quick Installation Guide

Technical specifications

Mechanical

Dimension (H x W x D) (mm)	65.7 mm x 135 mm x 120.51 mm
Dimension (H x W x D) (in)	2.58 in x 5.31 in x 4.74 in
Weight (g)	285 g
Weight (lb)	0.63 lb
Material	Magnesium alloy

Ordering information

NDA-4020-PLEN Plenum box for PTZ dome

In-ceiling housing for plenum spaces for AUTODOME IP 4000i and AUTODOME IP 5000i cameras. Available in specific regions only.

Order number **NDA-4020-PLEN | F.01U.324.915**

F.01U.396.548

Represented by:

Europe, Middle East, Africa:
Bosch Security Systems B.V.
P.O. Box 80002
5600 JB Eindhoven, The Netherlands
Phone: +31 40 2577 284
www.boschsecurity.com/xc/en/contact/
www.boschsecurity.com

Germany:
Bosch Sicherheitssysteme GmbH
Robert-Bosch-Ring 5
85630 Grasbrunn
Tel.: +49 (0)89 6290 0
Fax: +49 (0)89 6290 1020
de.securitysystems@bosch.com
www.boschsecurity.com

North America:
Bosch Security Systems, LLC
130 Perinton Parkway
Fairport, New York, 14450, USA
Phone: +1 800 289 0096
Fax: +1 585 223 9180
onlinehelp@us.bosch.com
www.boschsecurity.com

Asia-Pacific:
Robert Bosch (SEA) Pte Ltd, Security Systems
11 Bishan Street 21
Singapore 573943
Phone: +65 6571 2808
Fax: +65 6571 2699
www.boschsecurity.com/xc/en/contact/
www.boschsecurity.com