

NDA-3083-SMB SMB with 4S and conduit support, 137mm



- ▶ Sturdy construction
- ▶ Easy installation
- ▶ Anti-rust treated
- ▶ Easy cable management
- ▶ 4S and conduit support

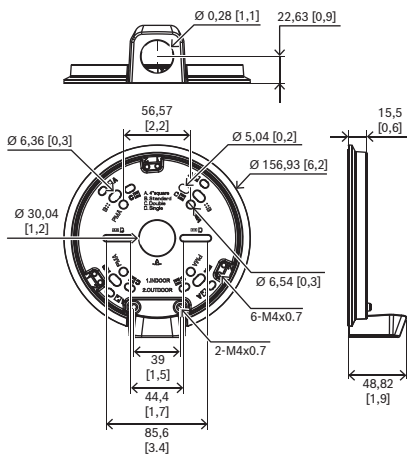
This easy-to-install and sturdy mount box is specifically designed for mounting FLEXIDOME 3100i cameras to a flat surface.

Regulatory information

Environmental

Salt mist	IEC60068-2-52
Vibration	IEC60068-2-6
Shock	IEC60068-2-27
Impact	IK10

Installation/configuration notes



Dimensions in mm (inch)

Parts included

Quantity	Component
1	NDA-3083-SMB Surface mount box
1	Conduit door for FLEXIDOME indoor 3100i or FLEXIDOME indoor 3100i IR
1	Conduit door for FLEXIDOME outdoor 3100i IR
1	Dummy cover
3	M4 x 12 screws
1	Quick installation guide

Technical specifications

Mechanical

Material	SMB: Aluminum Conduit doors: Polycarbonate Dummy cover: Polycarbonate
Mounting type	Surface-mounted
Color (RAL)	RAL 9003 Signal white
Dimensions (Ø x H) (mm)	157 mm x 49 mm
Dimensions (Ø x H) (in)	6.18 in x 1.93 in
Conduit dimensions (Ø)	M25

Weight (g)	207 g
Weight (lb)	0.46 lb

Ordering information

NDA-3083-SMB SMB with 4S and conduit support, 137mm

Surface mount box for FLEXIDOME indoor 3100i, FLEXIDOME indoor 3100i IR and FLEXIDOME outdoor 3100i IR cameras with 4S and conduit support, 137 mm
Order number **NDA-3083-SMB**

Represented by:

Europe, Middle East, Africa:
Bosch Security Systems B.V.
P.O. Box 80002
5600 JB Eindhoven, The Netherlands

Germany:
Bosch Sicherheitssysteme GmbH
Robert-Bosch-Platz 1
D-70839 Gerlingen

North America:
Bosch Security Systems, LLC
130 Perinton Parkway
Fairport, New York, 14450, USA

Asia-Pacific:
Robert Bosch (SEA) Pte Ltd, Security Systems
11 Bishan Street 21
Singapore 573943