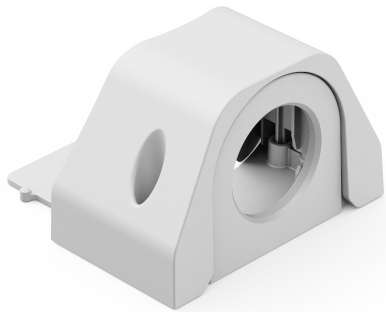


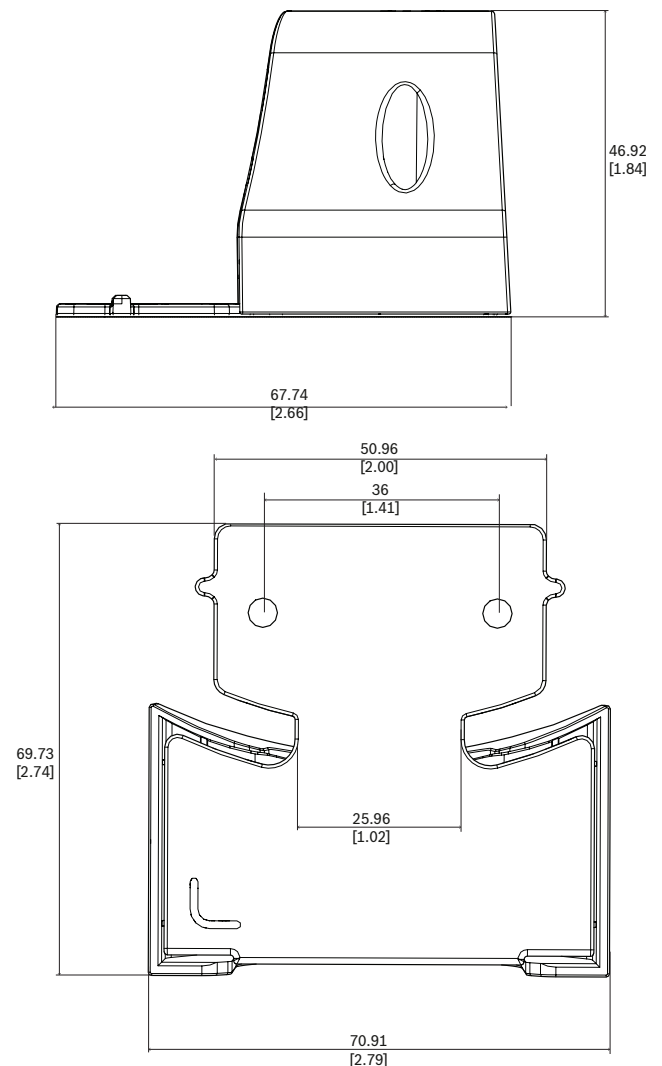
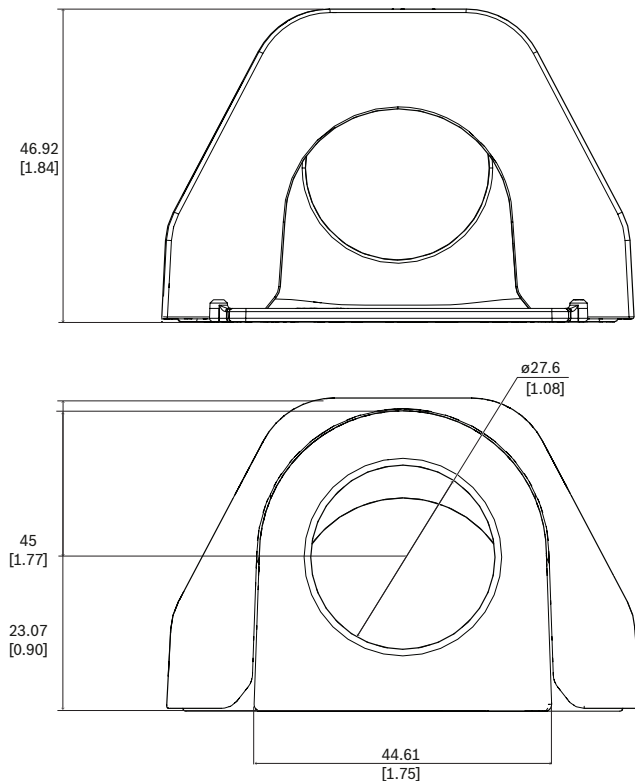
## NDA-3081-CND Conduit adapter, M25



- ▶ Enables M25 (3/4") conduit installation
- ▶ Easy to use and install.
- ▶ Compatible with 3000i outdoor camera

The conduit adapter M25 (3/4") enables conduit installation of a camera.  
 The conduit adapter is placed directly into the designated area of the mounting plate that is supplied with the camera.

### Installation/configuration notes



Dimensions in mm (inch)

**Parts included**

Quantity	Component
1	Piping adapter
2	Piping cover
3	M3x8 mm screw
1	Quick installation guide

**Technical specifications****Mechanical**

Dimension (H x W x D) (mm)	46.92 mm x 70.91 mm x 69.73 mm
Dimension (H x W x D) (in)	1.84 in x 2.79 in x 2.74 in
Conduit	¾-inch NPT (M25) conduit side entry
Conduit diameter (mm)	27.6 mm
Conduit diameter (in)	1.08 in.
Weight (g)	53 g
Weight (lb)	0.12 lb
Material	Plastic
Color in RAL	RAL 9003 Signal white

**Ordering information****NDA-3081-CND Conduit adapter, M25**

M25 conduit adapter for cameras

Order number **NDA-3081-CND | F.01U.382.429****F.01U.396.508****Represented by:**

**Europe, Middle East, Africa:**  
Bosch Security Systems B.V.  
P.O. Box 80002  
5600 JB Eindhoven, The Netherlands  
Phone: +31 40 2577 284  
[www.boschsecurity.com/xc/en/contact/](http://www.boschsecurity.com/xc/en/contact/)  
[www.boschsecurity.com](http://www.boschsecurity.com)

**Germany:**  
Bosch Sicherheitssysteme GmbH  
Robert-Bosch-Ring 5  
85630 Grasbrunn  
Tel.: +49 (0)89 6290 0  
Fax: +49 (0)89 6290 1020  
[de.securitysystems@bosch.com](mailto:de.securitysystems@bosch.com)  
[www.boschsecurity.com](http://www.boschsecurity.com)

**North America:**  
Bosch Security Systems, LLC  
130 Perinton Parkway  
Fairport, New York, 14450, USA  
Phone: +1 800 289 0096  
Fax: +1 585 223 9180  
[onlinehelp@us.bosch.com](mailto:onlinehelp@us.bosch.com)  
[www.boschsecurity.com](http://www.boschsecurity.com)

**Asia-Pacific:**  
Robert Bosch (SEA) Pte Ltd, Security Systems  
11 Bishan Street 21  
Singapore 573943  
Phone: +65 6571 2808  
Fax: +65 6571 2699  
[www.boschsecurity.com/xc/en/contact/](http://www.boschsecurity.com/xc/en/contact/)  
[www.boschsecurity.com](http://www.boschsecurity.com)