

OPC Server Connection for BIS and Praesideo

www.boschsecurity.com



BOSCH
Invented for life



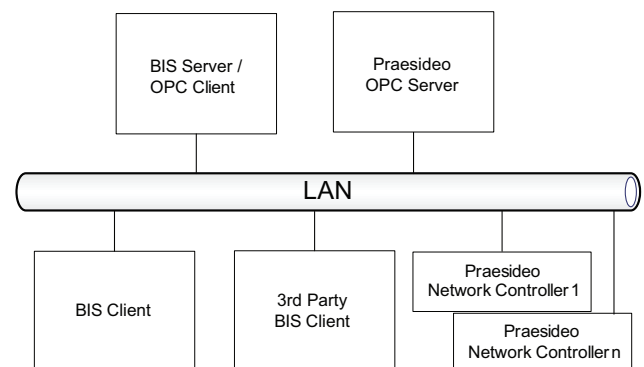
The Bosch Building Integration System (BIS) can be coupled with Bosch Praesideo, enabling you to capitalize on the advantages of both: the flexibility of BIS in connecting multiple subsystems – Fire, Intrusion, Access Control systems, Video Management systems etc. –, and the powerful Public Address control environment of the Bosch Praesideo system. A BIS customer is able to perform public address management functions and can for example integrate call stations managed by Bosch Praesideo.

- Example 1: After a BIS intrusion alarm the corresponding doors block and unblock together with Praesideo loudspeaker announcements. In the BIS event log this alarm is logged.
- Example 2: An announcer in an airport would like to inform passengers about a gate change and selects the particular area and function. With the trigger additional parameters like location and required workflow (priority, chimes, message etc.) can be forwarded to the Bosch Praesideo network controllers to broadcast the selected message in the destination area.

- ▶ Ability to receive and process alarms and triggers from BIS or its connected subsystems to create announcements via the Praesideo Public Address system
- ▶ Manual broadcast control of live announcements or pre-recorded messages directly from BIS location or device overviews
- ▶ Automatic or manual display of Praesideo hardware status (e.g. zone status or fault events)
- ▶ Control of Praesideo background music from within BIS

System overview

The coupled system consists of a BIS login server, one or more Bosch Praesideo Public Address systems and at least one operator client workstation.



The integration is twofold:

1. BIS uses the Bosch Praesideo OPC server to receive information from the Praesideo network controllers and to transmit commands.

- The BIS client process communicates with BIS or 3rd party clients. In this way, BIS can display a synoptic overview of the public address equipment and the BIS or 3rd Party Client can initiate announcements in the requested zones.

Functions

BIS handles the following states which the Bosch Praesideo OPC server generates from the Praesideo Network Controller:

Zones and zone group statuses:

Free
In use
BGM
Faulty

Device statuses:

UnitConnected	RedundantRingBroken
UnitDisconnected	AmpFailure
PowerBackupSupply	AmpFailureOrOverload
PowerMainSupply	AmpGroundShort
MicrophoneSupervision	AmpOverheat
SystemInputContact	AmpOverload
EndOfLineSupervision	AmpShortCircuit
LoadspeakerSupervision	AudioPathSupervision
RemotePowerSupply	EolFailure
RemoteBackupPowerSupply	LineShortCircuit
RemoteConnection	PilotToneCalibration
CallStationExtension	PowerMainsSupply2
UnitMissing	PowerBackupSupply2
UnitNotConfigured	GroupAFault
UnitReset	GroupBFault
UnitUnknownType	HundredVLineFault
UserInjectedFault	ClassASwitchOver
IncompatibleHWVersion	BoosterStandby
ConfigurationFile	WLSBoard
ConfigurationVersion	AmpMissing
FlashCardChecksum	CobraNetInterface
FlashCardMissing	CobraNetNetwork
IllegalConfiguration	DisabledByUser
MemoryError	StandBy
PrerecordedMessageNames	InUse

Start Call:

Routing
Priority
Partial / Non-Partial
Start chime
End chime
Live speech
Audio input
Message
Repeat

Installation/configuration notes

- Training is mandatory to use this software:**
 - Praesideo training request via your Bosch representative (ST-CO/MKA1.22).
 - BIS Automation Engine training request via your Bosch representative (ST-ESS/MKP2.3).

- OPC Server Connection for BIS:**
 - Refer to chapter “Ordering information”.
 - More info via emea.boschsecurity.com > Products > Access and Systems.
- BIS-Praesideo OPC Server software:**
 - License for the connection between one BIS to up to 50 Praesideo Network Controllers.
 - Freely downloadable from www.boschsecurity.com > Products > Public Address (PA) and Voice Alarm > Digital PA and Emergency Sound > Praesideo System.

Parts included

Quantity	Component
1	* License for 500 detector points.

* How to order

- Automation Engine can be ordered in two ways:
 - as an integral part of an initial BIS configuration, in which case it is ordered along with a BIS basic license,
 - as an enhancement to an existing BIS configuration.

Ordering information

OPC Server Connection for BIS and Praesideo

BIS Version 4.0 AUE 4.0.

BIS Version 4.0 AUE 4.1 (currently available in English and German).

Order number **MBV-FOPC-50**

Software Options

AUE 4.0 Basic License

Basic license for the BIS module specified. Valid only for BIS V4.0 and above.

Order number **BIS-FAUE-BPA40**

AUE 4.0 Additional 100 Detector Points

License for the addition to BIS of the feature specified. Valid only for BIS V4.0 and above.

Order number **BIS-XAUE-100P40**

AUE 4.0 Additional 1000 Detector Points

License for the addition to BIS of the feature specified. Valid only for BIS V4.0 and above.

Order number **BIS-XAUE-1KP40**

AUE 4.1 Basic License

Basic license for the BIS module specified. Valid only for BIS V4.0 and above.

Order number **BIS-FAUE-BPA41**

AUE 4.1 Additional 100 Detector Points

License for the addition to BIS of the feature specified. Valid only for BIS V4.0 and above.

Order number **BIS-XAUE-100P41**

AUE 4.1 Additional 1000 Detector Points

License for the addition to BIS of the feature specified. Valid only for BIS V4.0 and above.

Order number **BIS-XAUE-1KP41**

Represented by:

Americas:

Bosch Security Systems, Inc.
12000 Portland Avenue South
Burnsville MN 55337, USA
Phone: +1-800-392-3497
Fax: +1-800-955-6831
audiosupport@us.bosch.com
www.boschsecurity.com

Europe, Middle East, Africa:

Bosch Security Systems B.V.
P.O. Box 80002
5617 BA Eindhoven, The Netherlands
Phone: + 31 40 2577 284
Fax: +31 40 2577 330
emea.securitysystems@bosch.com
www.boschsecurity.com

Asia-Pacific:

Robert Bosch (SEA) Pte Ltd, Security
Systems
11 Bishan Street 21
Singapore 573943
Phone: +65 6571 2808
Fax: +65 6571 2699
apr.securitysystems@bosch.com
www.boschsecurity.asia

China:

Bosch (Shanghai) Security Systems Ltd.
201 Building, No. 333 Fuquan Road
North IBP
Changning District, Shanghai
200335 China
Phone +86 21 22181111
Fax: +86 21 22182398
www.boschsecurity.com.cn

America Latina:

Robert Bosch Ltda Security Systems Division
Via Anhanguera, Km 98
CEP 13065-900
Campinas, Sao Paulo, Brazil
Phone: +55 19 2103 2860
Fax: +55 19 2103 2862
latam.boschsecurity@bosch.com
www.boschsecurity.com