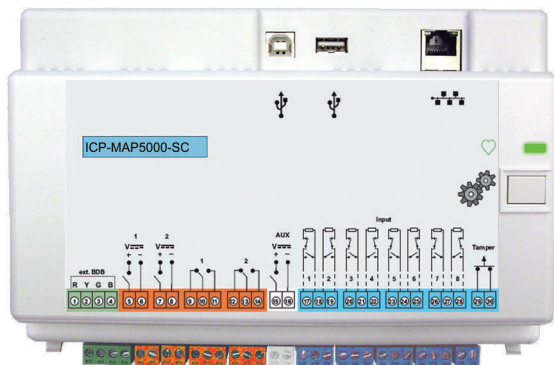


# MAP panel 5000 small COM

www.boschsecurity.com



**BOSCH**  
Invented for life



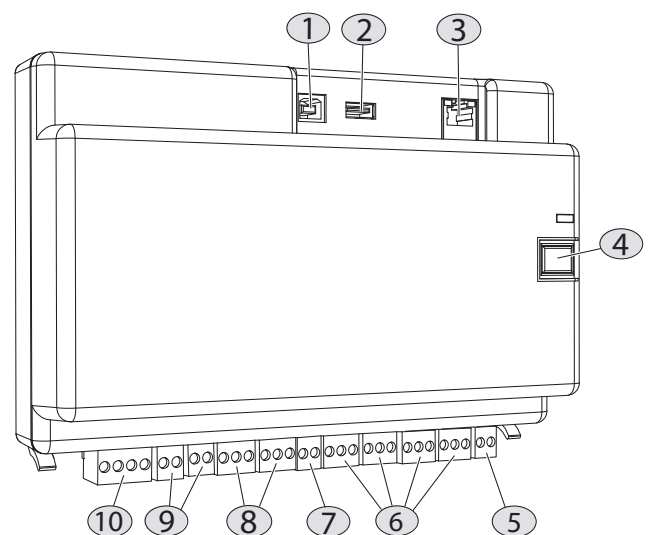
- ▶ Up to 1500 addresses, 500 areas, and 996 users
- ▶ Eight supervised inputs and one unsupervised tamper input
- ▶ Two programmable outputs for optical and acoustical signaling device as well as for other local notification devices; two programmable relay outputs; and one auxiliary output
- ▶ Two Bosch Data Bus (BDB) interfaces and Ethernet port
- ▶ Event reporting via Ethernet (optional) and via integrated IP Communicator

Using a Bosch Data Bus (BDB) based on Controller Area Network (CAN) technology as the internal and external bus, the panel supports a range of applications as part of the scalable Modular Alarm Platform 5000 system.

The panel mounts on the MAP Hinged Mounting Plate in the MAP Panel Enclosure Kit. This provides easy access to all wiring terminals and communication port connectors.

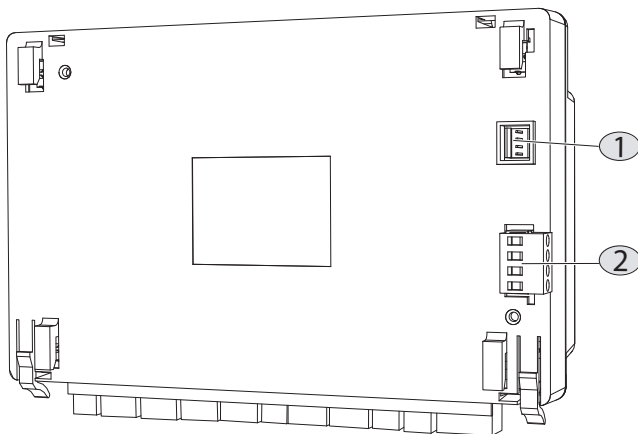
## System overview

### Terminals and connectors - front view



| Element | Description                            |
|---------|--|
| 1       | USB host port – currently not enabled  |
| 2       | USB port – currently not enabled       |
| 3       | Ethernet port                          |
| 4       | Installer switch                       |
| 5       | Tamper switch input                    |
| 6       | Eight supervised inputs                |
| 7       | Auxiliary power output                 |
| 8       | Two form C dry-contact relay outputs   |
| 9       | Two auxiliary switched voltage outputs |
| 10      | External Bosch Data Bus (BDB) port     |

### Terminals and connectors - back view



| Element | Description                        |
|---------|------------------------------------|
| 1       | Power supply input connector       |
| 2       | Internal Bosch Data Bus (BDB) port |

### Functions

#### Scalable range of applications

Together with a MAP LSN Gateway Module, the panel supports up to 600 addresses, 500 areas, and 996 users. As part of a Modular Alarm Platform 5000 solution, the panel connects to building management systems through internet protocol (IP).

A VdS system is limited to two areas, when connecting to the MAP control centers via the internal and external Data Bus. More areas can be realized with additional operating and display panels (one per area) on the LSN bus or with additional control centers on the external Data Bus using the CAN splitter module.

#### Bosch Data Bus (BDB) based on CAN technology

The panel provides two data buses:

- **Internal BDB** – Limited to 3 m in total length, the internal BDB connects the panel to other MAP devices.

- **External BDB** –Up to 1000 m in total length, the external BDB allows command centers, LSN Gateways, CAN Splitter Modules and power supplies to be placed at the point of use, promoting greater efficiency.

#### Inputs and outputs

The panel supports one unsupervised tamper input and eight supervised inputs. It also supports one auxiliary output, two Form C dry-contact relay outputs, and two programmable outputs for local notification devices.

The auxiliary output and both power outputs are over-current protected. The outputs are designed to provide individual protection. As a result, if a short circuit occurs on one output, the fault does not adversely affect the operation of another output.

#### Firmware upgrades

The firmware of all devices in the MAP system can be upgraded or updated with the Bosch Remote Programming Software (RPS). This allows for on-site or off-site (IP through Ethernet) upgrades or updates.

#### Languages

For each user, a preferred language is selected when the user is created. When the user logs in, the preferred language is used at the command center.

#### Communication with Bosch Software Packages

The MAP system allows separate communication with the following:

- **Management systems**
- **Bosch Remote Programming Software (RPS)**  
Programming and diagnostic software for control panels that provides remote programming, record storage, remote control, and diagnostics options.

### Certifications and approvals

| Region  | Certification |                           |
|---------|---------------|---------------------------|
| Germany | VdS-S         | S 112016 [MAP 5000]       |
|         | VdS           | G114801 [ICP-MAP5000-COM] |
|         | VdS           | G111040 [ICP-MAP-5000]    |
| Europe  | CE            | [MAP 5000 Modules]        |
|         | EN5013<br>1   | EN-ST-000121 [MAP 5000]   |

**Parts included**

| Quantity | Component  |
|----------|--|
| 1        | MAP panel 5000 small COM   |
| 1        | Accessory pack <ul style="list-style-type: none"> <li>• Eight 12.1 k<math>\Omega</math> EOL resistors</li> <li>• Two 120 <math>\Omega</math> CAN terminal EOL resistors</li> <li>• One panel power cable</li> <li>• One 2-pin terminal plug (white)</li> <li>• One 2-pin terminal plug (dark blue)</li> <li>• Two 3-pin terminal plugs (orange)</li> <li>• Four 3-pin terminal plugs (dark blue)</li> <li>• One 4-pin terminal plug (green)</li> <li>• Snap ferrite small</li> <li>• Snap ferrite big</li> </ul> |
| 1        | Literature, Operation Manual   |
| 1        | Literature, Release Notes  |

**Technical specifications****Electrical**

|                                   |     |
|-----------------------------------|-----|
| Minimum operating voltage in VDC  | 19  |
| Maximum operating voltage in VDC  | 29  |
| Rated voltage in VDC              | 28  |
| Minimum current consumption in mA | 250 |
| Maximum current consumption in mA | 500 |

**Outputs**

|  |      |
|--|------|
| Maximum current consumption in mA per output | 1000 |
|--|------|

**Relay outputs**

|                                  |  |
|----------------------------------|--|
| Maximum operating voltage in VDC | 30   |
| Maximum operating voltage in VAC | 30   |
| Back-up time                     | Determined by battery capacity and system load. Consider time or capacity limits for recharging the batteries regarding local regulations or EN standards if needed. |

**Mechanical**

|                             |                                |
|-----------------------------|--------------------------------|
| Dimension in cm (H x W x D) | 14.6 x 21.6 x 5.5              |
| Weight in g                 | 450                            |
| Indicators                  | Green LED for operating status |

**Number of output modules**

|                                 |   |
|---------------------------------|---|
| Auxiliary output                | 1 |
| Power output                    | 2 |
| Form C dry-contact relay output | 2 |

**Number of devices**

|                            |   |
|----------------------------|---|
| LSN Gateways               | 1 |
| Control Centers            | 2 |
| Integrated IP Communicator | 1 |

**Environmental**

|                                     |   |
|-------------------------------------|---|
| Minimum operating temperature in °C | -10   |
| Maximum operating temperature in °C | 55  |
| Minimum storage temperature in °C   | -20   |
| Maximum storage temperature in °C   | 60  |
| Minimum relative humidity in %      | 5   |
| Maximum relative humidity in %      | 95  |
| Protection class                    | IP30<br>IP31 (built into the MAP Panel Enclosure with an edge protection profile) |
| Security level                      | IK04<br>IK06 (built into the MAP Panel Enclosure with an edge protection profile) |
| Environmental class                 | II:<br>EN50130-5, Vds 2110  |
| Usage                               | Indoor  |

**Ordering information****MAP panel 5000 small COM**

MAP panel 5000 with wiring terminals for tamper and power supply inputs, eight supervised inputs form C relay and auxiliary power outputs, switched voltage outputs, two Bosch Data Bus ports and an Ethernet port.

Suitable for 1 LSN Gateway and 2 Control Centers (touch screen keypad).

Additional integrated IP Communicator.

Order number **ICP-MAP5000-SC**

**Represented by:**

**Europe, Middle East, Africa:**  
Bosch Security Systems B.V.  
P.O. Box 80002  
5600 JB Eindhoven, The Netherlands  
Phone: + 31 40 2577 284  
emea.securitysystems@bosch.com  
emea.boschsecurity.com

**Germany:**  
Bosch Sicherheitssysteme GmbH  
Robert-Bosch-Ring 5  
85630 Grasbrunn  
Germany  
www.boschsecurity.com

**North America:**  
Bosch Security Systems, Inc.  
130 Perinton Parkway  
Fairport, New York, 14450, USA  
Phone: +1 800 289 0096  
Fax: +1 585 223 9180  
onlinehelp@us.bosch.com  
www.boschsecurity.us

**Asia-Pacific:**  
Robert Bosch (SEA) Pte Ltd, Security Systems  
11 Bishan Street 21  
Singapore 573943  
Phone: +65 6571 2808  
Fax: +65 6571 2699  
apr.securitysystems@bosch.com  
www.boschsecurity.asia