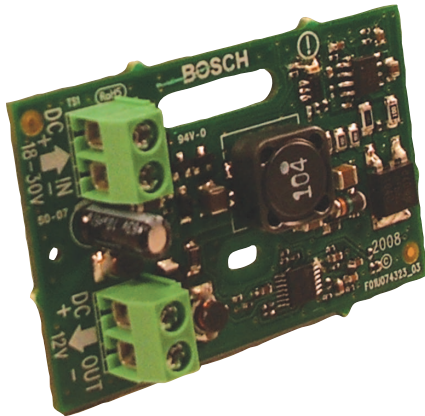


ICP-MAP0017 MAP Power converter, 12V-28V

Modular Alarm Platform 5000



The converter converts a 24 VDC system into a 12 VDC system at 500 mA.

As part of the MAP 5000 system, the converter supports power requirements for the following:

- Communicator interfaces such as the AT 2000 Transmission System Auto Dialers.
- 12 V conventional peripherals such as motion or glass break detectors.

System overview

Functions

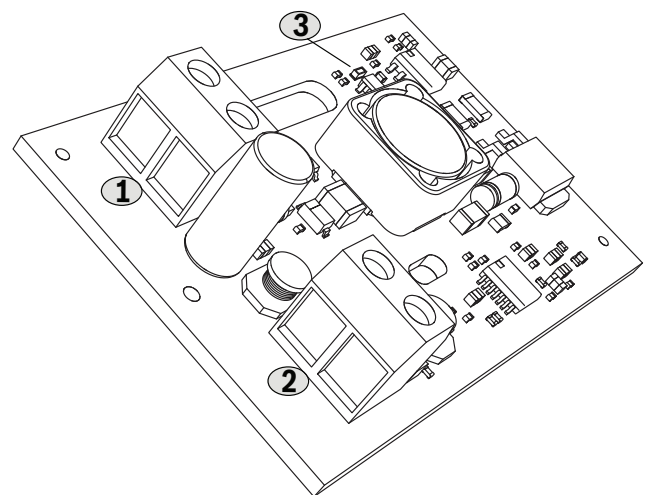
Regulatory information

| Region | Regulatory compliance/quality marks | |
|---------|-------------------------------------|-------------------------|
| Europe | CE | |
| France | AFNOR | N1133400003A1 3 shields |
| Poland | TECHOM | 03-16-o [ICP-MAP5000] |
| Germany | VdS | G111040 Class C |

- ▶ Converts a 24 VDC system to a 12 VDC system
- ▶ Up to two MAP 12V Converters can be mounted on a MAP Accessory Mounting Plate
- ▶ Limits and indicates over-current conditions

Installation/configuration notes

Terminals and Connectors



- 1 DC in (+ and -)
- 2 DC out (+ and -)
- 3 LED (over-current)

Parts included

| Quantity | Component |
|----------|---------------------------------|
| 1 | MAP 12V Converter (ICP-MAP0017) |
| 1 | Accessory pack |

| Quantity | Component |
|----------|--|
| | <ul style="list-style-type: none"> • One screw • One washer • One stand-off bracket |

Technical specifications

Electrical

| | |
|---|--------------------------------|
| Minimum operating voltage in VDC | 18 |
| Maximum operating voltage in VDC | 29 |
| Maximum current consumption in mA at: voltage 28 VDC, maximum output current 500 mA | 325 |
| Maximum output current in mA | 500 |
| Minimum output voltage in VDC | 12 |
| Maximum output voltage in VDC | 15 |
| Galvanic isolation | Non-isolated (common negative) |
| Efficiency in % | 75 |

Mechanical

| | |
|-----------------------------|-----------------------------|
| PCB | |
| Dimension in cm (H x W x D) | 6.0 x 3.8 x 1.5 |
| Weight in g | 18 |
| Connection type | Terminal strip |
| Indicator | Yellow LED for over-current |

Environmental

| | |
|-------------------------------------|-----|
| Minimum operating temperature in °C | -10 |
| Maximum operating temperature in °C | 55 |
| Minimum storage temperature in °C | -20 |
| Maximum storage temperature in °C | 60 |

| | |
|--------------------------------|---|
| Minimum relative humidity in % | 5 (non-condensing) |
| Maximum relative humidity in % | 95 (non-condensing) |
| Protection class | IP30 IP31 (built into the MAP Panel Enclosure with an edge protection profile) |
| Security level | IK04 IK06 (built into the MAP Panel Enclosure with an edge protection profile) |
| Environmental class | II: EN50130-5, VdS 2110 |
| Usage | Indoor |

Ordering information

ICP-MAP0017 MAP Power converter, 12V-28V

Converts 24 VDC systems into 12 VDC systems. Supports power requirements for communicator interfaces and 12 VDC peripherals.

Order number **ICP-MAP0017 | F.01U.067.078**

Represented by:

Europe, Middle East, Africa:
Bosch Security Systems B.V.
P.O. Box 80002
5600 JB Eindhoven, The Netherlands
Phone: + 31 40 2577 284
www.boschsecurity.com/xc/en/contact/
www.boschsecurity.com

Germany:
Bosch Sicherheitssysteme GmbH
Robert-Bosch-Ring 5
85630 Grasbrunn
Tel.: +49 (0)89 6290 0
Fax: +49 (0)89 6290 1020
de.securitysystems@bosch.com
www.boschsecurity.com

North America:
Bosch Security Systems, LLC
130 Perinton Parkway
Fairport, New York, 14450, USA
Phone: +1 800 289 0096
Fax: +1 585 223 9180
onlinehelp@us.bosch.com
www.boschsecurity.com

Asia-Pacific:
Robert Bosch (SEA) Pte Ltd, Security Systems
11 Bishan Street 21
Singapore 573943
Phone: +65 6571 2808
Fax: +65 6571 2699
www.boschsecurity.com/xc/en/contact/
www.boschsecurity.com