



# Pendant Sphere Loudspeaker

LS1-UC20E-1



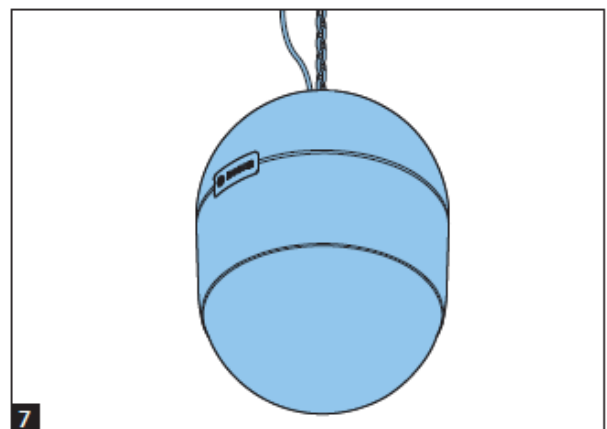
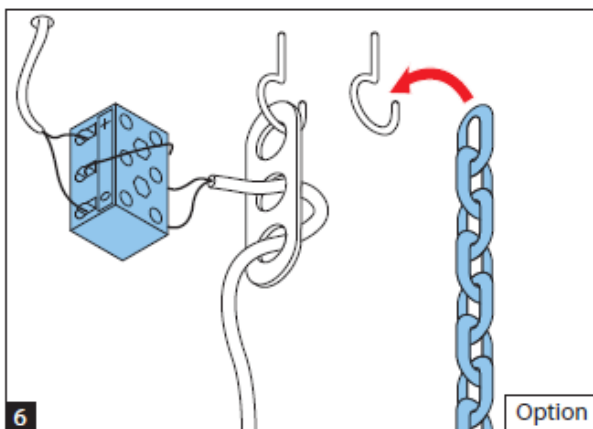
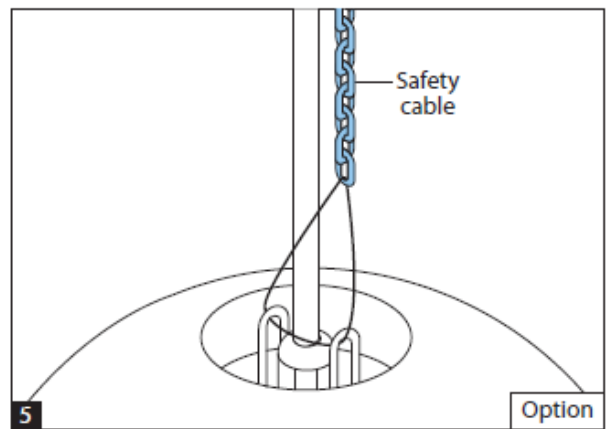
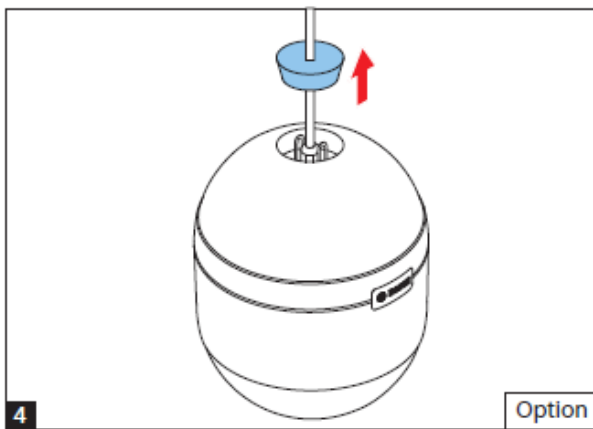
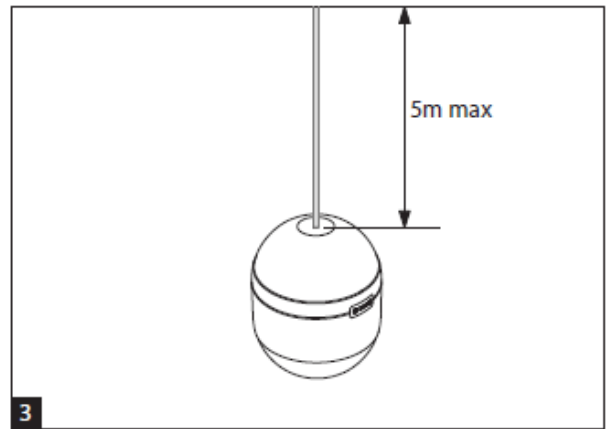
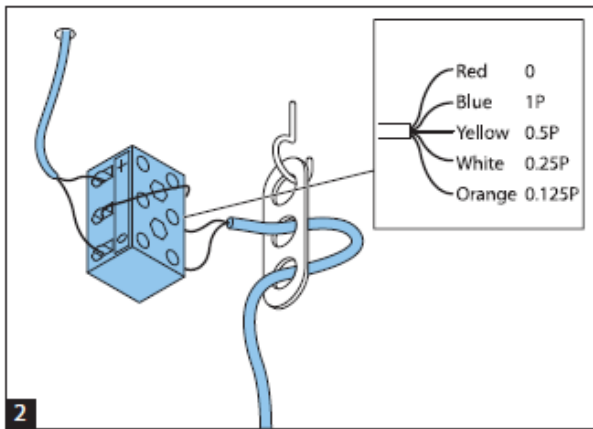
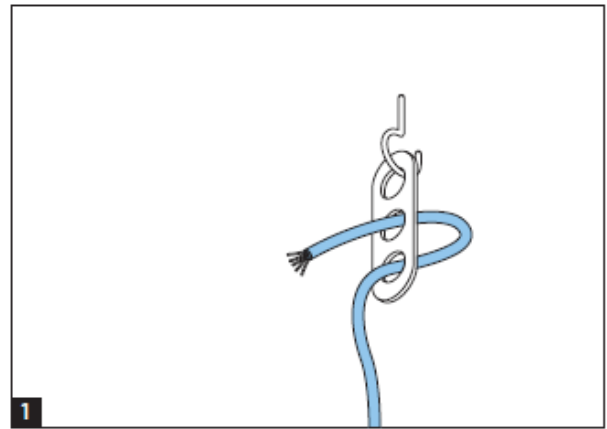
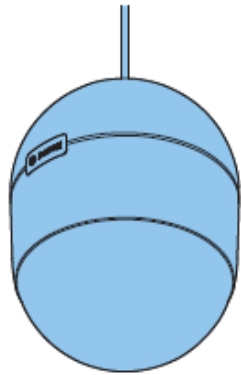
**BOSCH**

**en** Installation note



# 1 Installation

This document describes the installation procedure for the LS1-UC20E-1 Pendant Sphere Loudspeaker.



## 2 Technical data

### Electrical\*

Maximum power	30 W	
Rated power	20 / 10 / 5 / 2.5 W	
Sound pressure level at 20 W / 1 W (1kHz, 1 m)	99 dB / 86 dB (SPL)	
Sound pressure level at 20 W / 1 W (1kHz, 4 m)	91 dB / 78 dB (SPL)	
Opening angle at 1 kHz / 4 kHz (-6 dB)	220° / 65°	
Effective frequency range (-10 dB)	80 Hz to 20 kHz	
Rated voltage Rated impedance		100 V
	20 W	500 Ohm
	10 W	1000 Ohm
	5 W	2000 Ohm
	2.5 W	4000 Ohm
Connector	3-pole screw terminal	

\* Technical performance data acc. to IEC 60268-5

### Mechanical

Dimensions (D x L)	185 x 254 mm (7.3 x 10 in)
Weight	3 kg (6.6 lb)
Color	White (RAL 9010)
Material	ABS

### Environmental

Operating temperature	-25 °C to +55 °C (-13 °F to +131 °F)
Storage and transport temperature	-40 °C to +70 °C (-40 °F to +158 °F)
Relative humidity	<95%

### Note:

- The specification data is measured in an anechoic chamber, free field
- The reference axis is perpendicular to the center point of the front grille
- The reference plane is perpendicular to the center of the reference axis
- The horizontal plane is perpendicular to the center of the reference plane

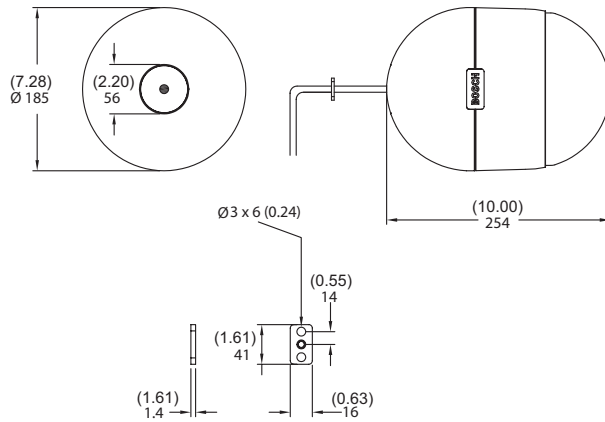


Figure 2.1: Dimensions in mm / (inch)

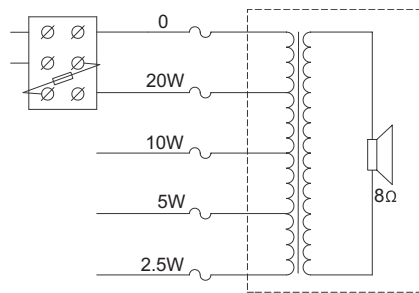


Figure 2.2: Circuit diagram

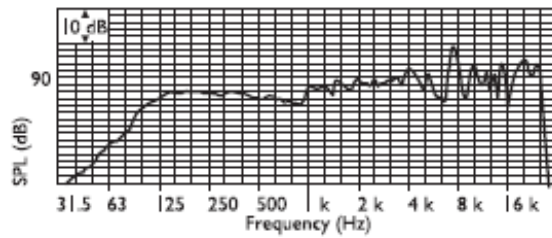


Figure 2.3: Frequency response

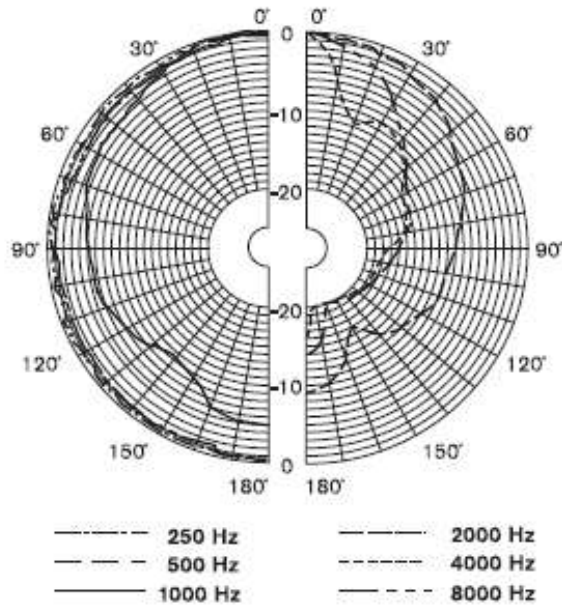


Figure 2.4: Polar diagram (measured with pink noise)


 1438
Bosch Security Systems BV Torenallee 49, 5617 BA Eindhoven, the Netherlands 12 1438-CPR-0258
EN 54-24:2008  Loudspeaker for voice alarm systems for fire detection and fire alarm systems for buildings  Pendant Sphere Loudspeaker 20 W LS1-UC20E-1 Type B DoP: LP052916

Figure 2.5: CE Label

**Bosch Security Systems B.V.**

Torenallee 49

5617 BA Eindhoven

Netherlands

**[www.boschsecurity.com](http://www.boschsecurity.com)**

© Bosch Security Systems B.V., 2016