

LHW-UML-IN Horn, 22, without driver



The Bosch professional horn loudspeaker system includes a range of circular horns and high-efficiency driver units. This provides the customer with the flexibility to use different combinations of horns and drivers for different applications.

The horn loudspeakers are ideal for outdoor applications, such as:

- Addressing election rallies
- Cultural and religious gathering
- Places of worship
- Schools and colleges
- Car parking areas
- Sport venues and playgrounds
- Tradeshows and exhibitions
- Industrial complexes.

System overview

The LHW-UML-IN is a horn waveguide to be used with a driver. This is a circular horn with a diameter of 22 inches. The manufacturing material is aluminum, which offers protection against corrosion. The edges are covered with a flexible beading for protection against impact damage.

The LHW-UML-IN horn has a standard 1-3/8 inch, 18 threads per inch threading used for mounting different drivers onto the horn. The LHW-UML-IN can be used with the LHD-UM60-IN (60 W), the LHD-UM40X-IN (40 W), and the LHD-UM60X-IN (60 W). The horn is finished with a light gray color (RAL 7035). The horn assembly is water- and dust-protected to IP65. The horn comes with a 1.5 mm thick steel mounting clamp that is strong enough to hold the horn assembly. The reflector is attached to

- ▶ Horn with diameter of 22 inches.
- ▶ Excellent speech reproduction.
- ▶ Choice of driver units.
- ▶ Water- and dust-protected according to IP65.
- ▶ Easy installation with adjustable wall-mounting bracket.

the horn with three nuts. The reflector, steel mounting bracket, and nuts are supplied with the product packaging.

The horn is supplied in a master packaging consisting of 10 horns and related accessories. As such, this product needs to be ordered in multiples of 10.

Regulatory information

All Bosch loudspeakers are designed to withstand operation at their rated power for 100 hours, in accordance with IEC 60268-1 and IEC 60268-5 Power Handling Capacity (PHC) standards.

Installation/configuration notes

Dimensions (mm)

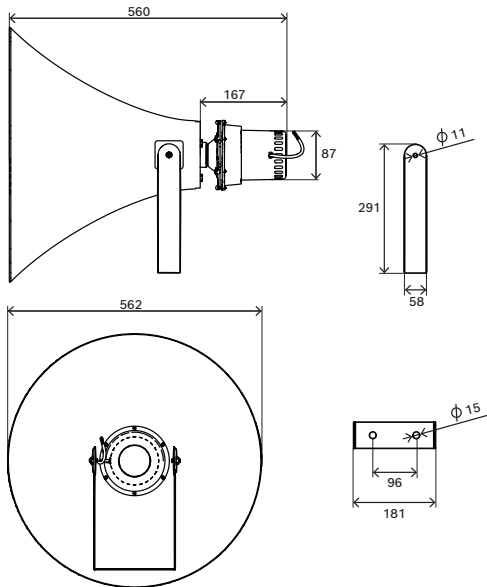


Fig. 1: Assembly of the LHW-UML-IN horn with the LHD-UM40X-IN/LHD-UM60X-IN

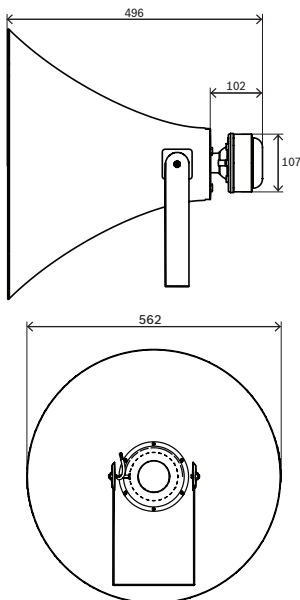


Fig. 2: Assembly of the LHW-UML-IN horn with the LHD-UM60-IN driver

Parts included

Quantity	Component
10	LHW-UML-IN Horn, 22, without driver
10	Mounting clamp assembly with a pair of bolts and nuts
10	Reflector assembly unit with 3-nos of nuts

Technical specifications

Mechanical

Diameter (mm)	562 mm
Material	Aluminum
Screw type	Steel anodized screws
Screw thread	1-3/8 inch, 18 threads per inch
Color (RAL)	RAL 7035 Light gray
Weight (kg)	3.06 kg
Shipping weight (kg) (master package)	39.30 kg

Environmental

Operating temperature (°C)	-10 °C – 60 °C
Storage temperature (°C)	-10 °C – 65 °C
Operating relative humidity, non-condensing (%)	95%
IP rating	IP65

Ordering information

LHW-UML-IN Horn, 22, without driver
 Horn, 22 inches, without driver.
 Order number **LHW-UML-IN | F.01U.403.344**

Represented by:

Europe, Middle East, Africa:
 Bosch Security Systems B.V.
 P.O. Box 80002
 5600 JB Eindhoven, The Netherlands
www.boschsecurity.com/xc/en/contact/
www.boschsecurity.com

Germany:
 Bosch Sicherheitssysteme GmbH
 Robert-Bosch-Platz 1
 D-70839 Gerlingen
www.boschsecurity.com

North America:
 Bosch Security Systems, LLC
 130 Perinton Parkway
 Fairport, New York, 14450, USA
www.boschsecurity.com

Asia-Pacific:
 Robert Bosch (SEA) Pte Ltd, Security Systems
 11 Bishan Street 21
 Singapore 573943
www.boschsecurity.com/xc/en/contact/
www.boschsecurity.com