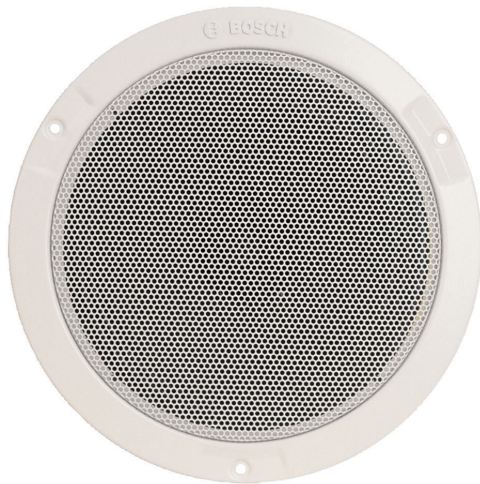


# LHM0606/00-US Ceiling loudspeaker, 6W, 70V

www.boschsecurity.com



**BOSCH**  
Invented for life



- ▶ Suitable for speech and music reproduction
- ▶ Easy to install
- ▶ Simple power setting
- ▶ Unobtrusive in virtually all interiors
- ▶ UL 2043, UL 1480 certified

The LHM0606/00-US is a general-purpose, 6 W, cost-effective ceiling loudspeaker. It is screw-mounted into the ceiling. An optional fire dome is available.

## Functions

An economic flush mounting ceiling loudspeaker is available for general-purpose applications. This full range loudspeaker is suitable for both speech and music reproduction in shops, department stores, schools, offices, sports halls, hotels and restaurants. The speaker assembly consists of a single-piece, 6 W dual cone loudspeaker and frame, with a 70.7 Volt matching transformer mounted on the back. A circular metal grille is an integrated part of the front. The appearance and neutral white color have been selected to be unobtrusive in virtually all interiors.

## Certifications and approvals

All Bosch loudspeakers are designed to withstand operating at their rated power for 100 continuous hours in accordance with IEC 268-5 Power Handling Capacity (PHC) standards. Bosch has also developed the Simulated Acoustical Feedback Exposure (SAFE)

test to demonstrate that they can withstand two times their rated power for short durations. This ensures improved reliability under extreme conditions, leading to higher customer satisfaction, longer operating life, and lessens the chance of failure or performance deterioration.

The LHM 0606/00-US has UL 1480 F certification listed for use in Fire Alarm and/or Emergency Communication Systems.

|           |                       |
|-----------|-----------------------|
| Safety    | according to EN 60065 |
| UL listed | 1480/2043             |

| Region | Regulatory compliance/quality marks |
|--------|-------------------------------------|
| USA    | UL                                  |

**Installation/configuration notes**

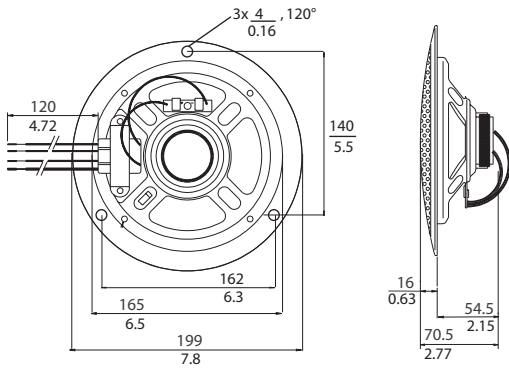
**Mounting**

The assembly is simply and quickly installed into a hole in the ceiling cavity and secured with the three white screws (supplied). A circular template for marking a 165 mm (6.5 in) diameter hole is included with the loudspeaker.

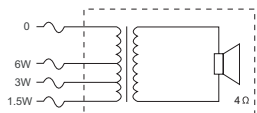
Three wires on the matching transformer (primary) provide for selection of nominal full-power, half-power or quarter-power radiation.

**Fire dome**

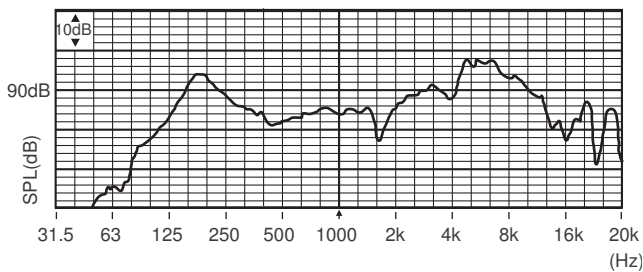
During a fire, the ceiling cavity in which loudspeakers are installed can allow flames to spread throughout the building. To prevent fire entering the cavity via the loudspeaker, the ceiling loudspeaker can be fitted with a protective steel fire dome (LBC3080/01). This optional fire dome is mounted on the loudspeaker assembly using four self-tapping screws, supplied as standard. There are four knockout holes; two (2) for rubber grommets (supplied) and two (2) for cable glands (PG13).



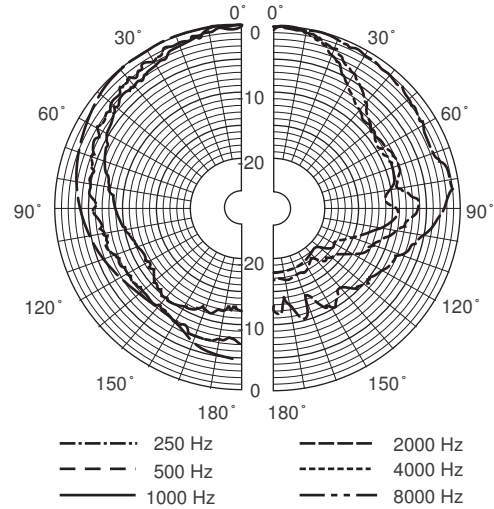
Dimensions in mm / in



Circuit diagram



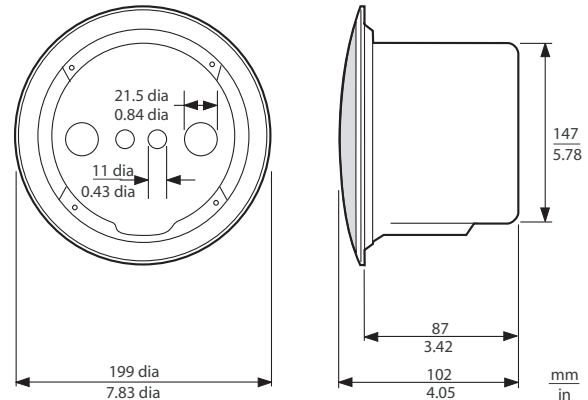
Frequency response



Polar diagram (measured with pink noise)



LBC3080/01 Fire Dome (optional)



LHM0606/00-US + LBC3080/01 fire dome assembly dimensions

**Parts included**

| Quantity | Component                             |
|----------|---------------------------------------|
| 1 pc     | On-air and telephone interface device |
| 1 pc     | 8-pin Phoenix connector               |

**Technical specifications****Electrical**

|                                                |                     |
|------------------------------------------------|---------------------|
| Maximum power                                  | 9 W                 |
| Rated power                                    | 6 / 3 / 1.5 W       |
| Sound pressure level at 6 W / 1 W (1 kHz, 1 m) | 94 dB / 86 dB (SPL) |
| Effective frequency range (-10 dB)             | 80 Hz to 18 kHz     |
| Opening angle at 1 kHz/4 kHz (-6 dB)           | 175° / 55°          |
| Rated voltage                                  | 70.7 V              |
| Rated impedance                                | 833.08 Ohm          |
| Connector                                      | Flying leads        |

**Mechanical**

|                  |                            |
|------------------|----------------------------|
| Diameter         | 199 mm (7.8 in)            |
| Maximum depth    | 70.5 mm (2.8 in)           |
| Mounting cut-out | 165 + 5 mm (6.5 + 0.20 in) |
| Speaker diameter | 152.4 mm (6 in)            |

|        |                  |
|--------|------------------|
| Weight | 620 g (1.37 lb)  |
| Color  | White (RAL 9010) |

**Environmental**

|                       |                                      |
|-----------------------|--------------------------------------|
| Operating temperature | -25 °C to +55 °C (-13 °F to +131 °F) |
| Storage temperature   | -40 °C to +70 °C (-40 °F to +158 °F) |
| Relative humidity     | <95%                                 |

**Ordering information****LHM0606/00-US Ceiling loudspeaker, 6W, 70V**

Ceiling loudspeaker 6 W, circular metal grille, ceiling-mounted with 3 (white) screws (supplied), white RAL 9010.

Order number **LHM0606/00-US**

**Accessories****LBC3080/01 Metal fire dome**

Metal fire dome for the LBC3087/41, LBC3090/01, LBC3090/31, LHM0606/00, LHM0606/10, and LHM0626/00 ceiling loudspeakers, EN54-24 certified, flame red RAL 3000.

Order number **LBC3080/01**

**Represented by:**

**Europe, Middle East, Africa:**  
Bosch Security Systems B.V.  
P.O. Box 80002  
5600 JB Eindhoven, The Netherlands  
Phone: + 31 40 2577 284  
emea.securitysystems@bosch.com  
emea.boschsecurity.com

**Germany:**  
Bosch Sicherheitssysteme GmbH  
Robert-Bosch-Ring 5  
85630 Grasbrunn  
Germany  
www.boschsecurity.com

**North America:**  
Bosch Security Systems, Inc.  
130 Perinton Parkway  
Fairport, New York, 14450, USA  
Phone: +1 800 289 0096  
Fax: +1 585 223 9180  
onlinehelp@us.bosch.com  
www.boschsecurity.us

**Asia-Pacific:**  
Robert Bosch (SEA) Pte Ltd, Security Systems  
11 Bishan Street 21  
Singapore 573943  
Phone: +65 6571 2808  
Fax: +65 6571 2699  
apr.securitysystems@bosch.com  
www.boschsecurity.asia