

## LHD-UM60-IN Horn loudspeaker driver, 60W



LHD-UM60-IN is a 60 W horn loudspeaker driver unit. This driver unit can be installed along with 22-inch and 18-inch horn waveguides (supplied separately). 1-3/8 inch, 18 threads per inch screw thread is used for mounting the driver into the horns. The horn loudspeakers are ideal for outdoor applications, such as:

- Addressing election rallies
- Cultural and religious gathering
- Places of worship
- Schools and colleges
- Car parking areas
- Sport venues and playgrounds
- Tradeshows and exhibitions
- Industrial complexes.

### System overview

The LHD-UM60-IN driver unit has a rated power of 60 W and an impedance of 16  $\Omega$ . The unit has brass-based connectors for loss-free signal transmission. 1-3/8 inch, 18 threads per inch screw thread is used for mounting the driver into the horn.

The driver unit attaches to the circular horn, using the screw threads on the driver unit. The top and bottom parts of the driver assembly are held together with four screws and the rubber gaskets. The threads present on top of the driver and the rubber gasket in the horn driver housing prevent water and dust from entering the horn assembly. The driver unit has an ABS plastic cap with the Bosch logo that needs to be removed during the assembly of the driver unit and the horn.

A protective mesh near the opening prevents small particles and insects from entering the unit.

- ▶ 60 W impedance-based driver unit.
- ▶ Excellent speech reproduction.
- ▶ Water- and dust-protected according to IP65.
- ▶ Brass-based connector for loss-free signal transmission.
- ▶ Anodized fasteners employed for product longevity.

The housing is made of aluminum, which avoids corrosion due to outdoor environment. The entire horn loudspeaker assembly has an IP65 certified protection.

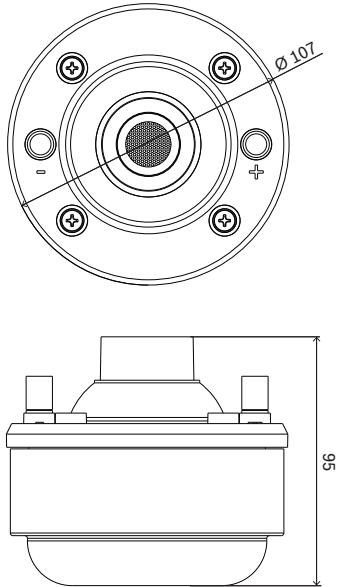
Each master package consists of 10 driver units. As such, this product needs to be ordered in multiples of 10.

### Regulatory information

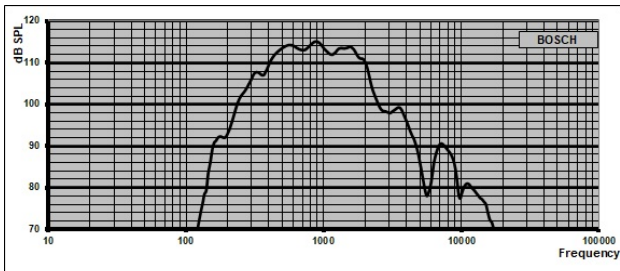
All Bosch loudspeakers are designed to withstand operation at their rated power for 100 hours, in accordance with IEC 60268-1 and IEC 60268-5 Power Handling Capacity (PHC) standards. This ensures improved reliability under extreme conditions, leading to higher customer satisfaction and longer operating life. It also minimizes the chance of failure or performance deterioration.

**Installation/configuration notes**

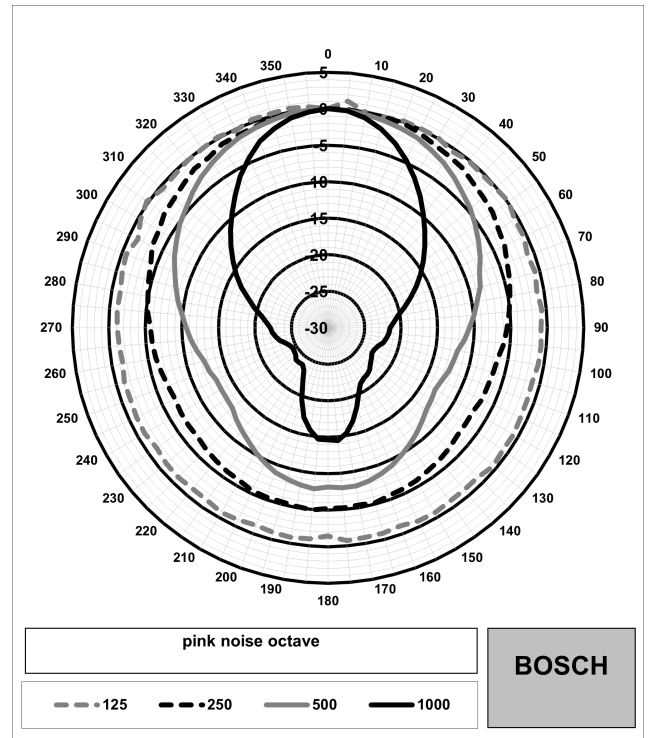
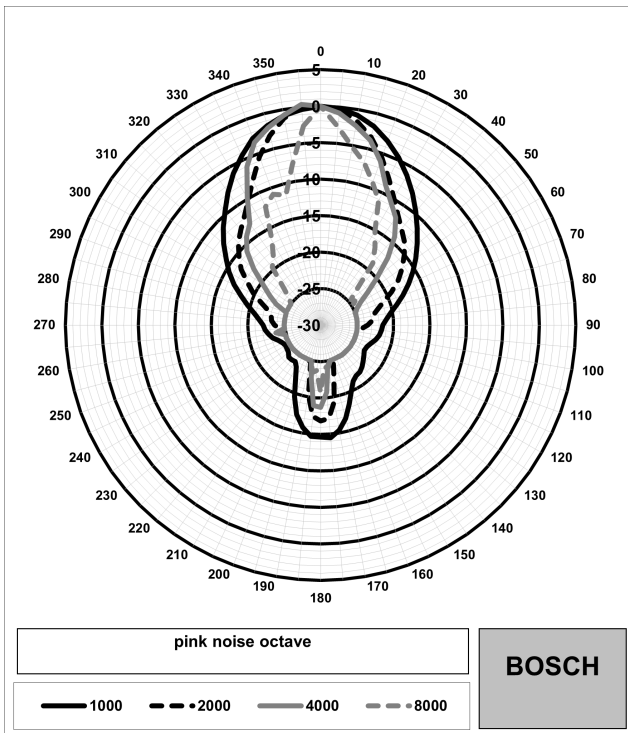
**Dimensions (mm)**



**Frequency response (Hz)**



**Polar plots (Hz)**



**Parts included**

Quantity	Component
10	LHD-UM60-IN Horn loudspeaker driver, 60W
10	Quick installation guide

**Technical specifications**

**Acoustic**

Frequency range (-10 dB) (Hz)	350 Hz – 3,500 Hz
Sound pressure level (1 W / rated power, 1 m, 1 kHz octave) (dB) with 18-inch horn	116 dB / 133.8 dB
Sound pressure level (1 W / rated power, 1 m, 1 kHz octave) (dB) with 22-inch horn	118 dB / 135.8 dB

**Electrical**

Maximum power (W)	90 W
Rated power (W)	60 W
Power tapping (W)	60 W (single tapping)
Nominal impedance (Ω)	16 Ω

**Environmental**

Operating temperature (°C)	-10 °C – 60 °C
Storage temperature (°C)	-10 °C – 65 °C
IP rating	IP65
Operating relative humidity, non-condensing (%)	95%

**Mechanical**

Dimensions (mm)	95 mm x 107 mm
Weight (kg) (individual driver unit)	1.60 kg
Color (RAL)	RAL 7035 Light gray

**Ordering information****LHD-UM60-IN Horn loudspeaker driver, 60W**

Horn loudspeaker driver 60 W.

Order number **LHD-UM60-IN | F.01U.403.341****Represented by:**

**Europe, Middle East, Africa:**  
Bosch Security Systems B.V.  
P.O. Box 80002  
5600 JB Eindhoven, The Netherlands  
[www.boschsecurity.com/xc/en/contact/](http://www.boschsecurity.com/xc/en/contact/)  
[www.boschsecurity.com](http://www.boschsecurity.com)

**Germany:**  
Bosch Sicherheitssysteme GmbH  
Robert-Bosch-Platz 1  
D-70839 Gerlingen  
[www.boschsecurity.com](http://www.boschsecurity.com)

**North America:**  
Bosch Security Systems, LLC  
130 Perinton Parkway  
Fairport, New York, 14450, USA  
[www.boschsecurity.com](http://www.boschsecurity.com)

**Asia-Pacific:**  
Robert Bosch (SEA) Pte Ltd, Security Systems  
11 Bishan Street 21  
Singapore 573943  
[www.boschsecurity.com/xc/en/contact/](http://www.boschsecurity.com/xc/en/contact/)  
[www.boschsecurity.com](http://www.boschsecurity.com)