



Horn Loudspeaker

LH2-UC06



BOSCH

en Installation note

1 Installation

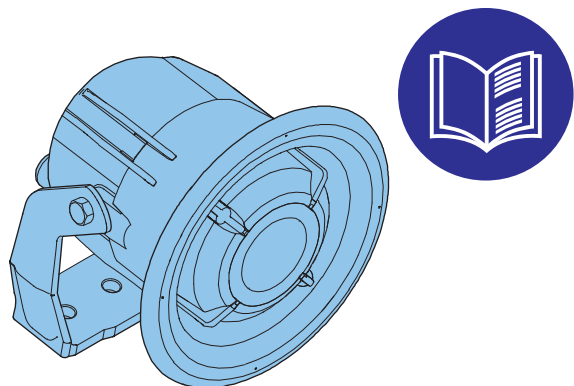


Fig. 1

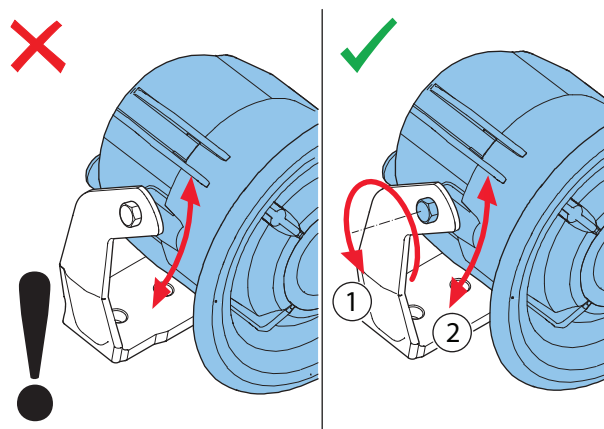


Fig. 2

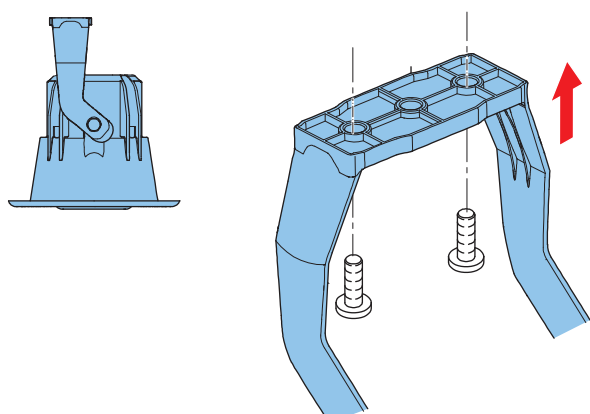


Fig. 3

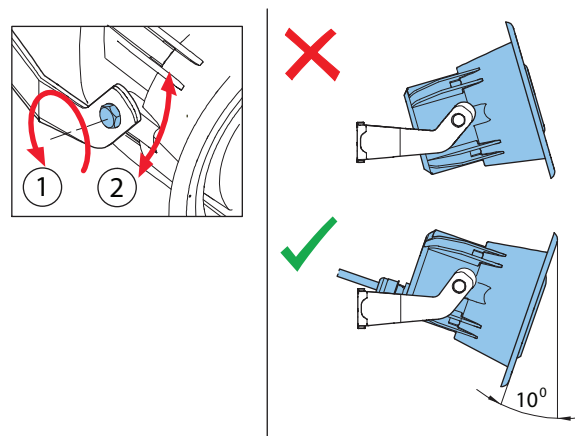


Fig. 4

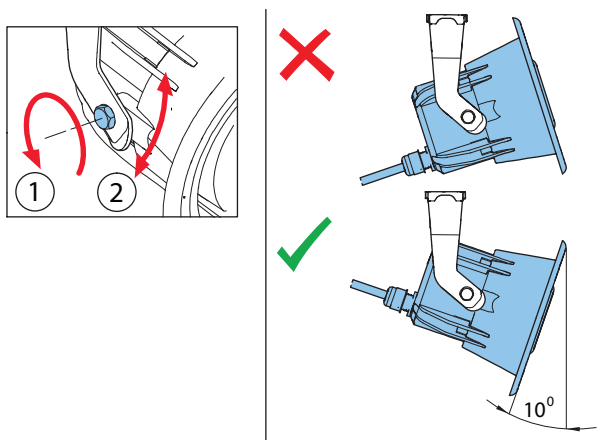


Fig. 5

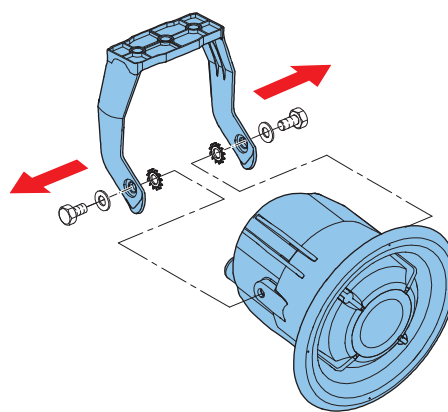


Fig. 6

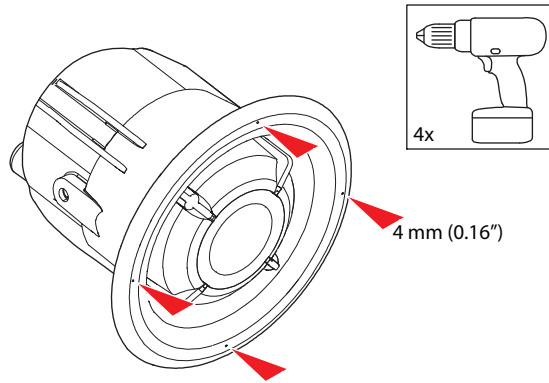


Fig. 7

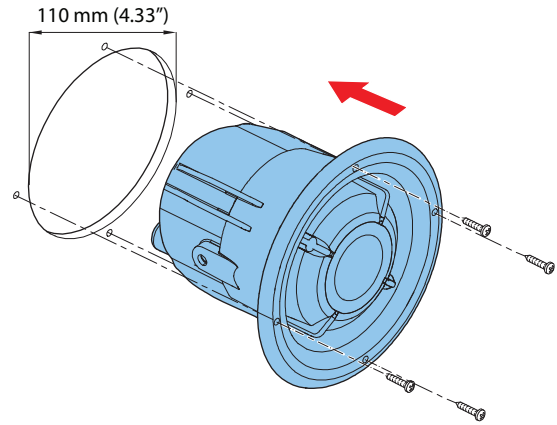


Fig. 8

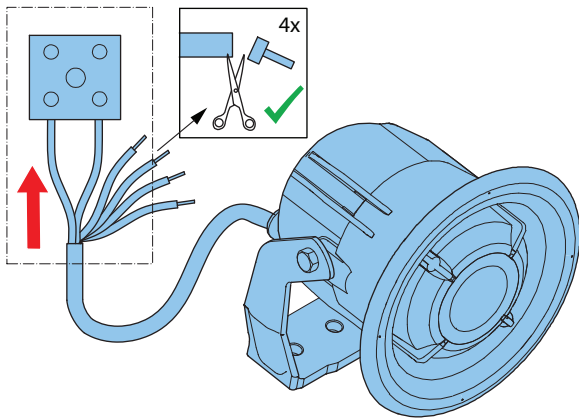


Fig. 9

2 Technical data

Electrical*

Maximum power	9 W
Rated power (PHC)	6 W
Power tapping	6 / 3 / 1.5 / 0.75 W
Sound pressure level at rated power / 1 W (1 kHz, 1 m)	105 / 97 dB (SPL)
Effective frequency range (- 10 dB)	600 Hz to 5 kHz
Opening angle at 1 kHz / 4 kHz (-6 dB)	360° / 60°
Rated input voltage	70 / 100 V
Rated impedance	833 / 1667 ohm
Electrical connection	1 m (39.37 in) 6-core fixed cable

* Technical performance data according to IEC 60268-5

Mechanical

Dimensions (H x W x D)	159 x 143 x 136 mm (6.26 x 5.63 x 5.35 in)
Weight	1.18 kg (2.60 lb)
Color	Light grey (RAL 7035)
Material horn	High impact ABS
Material mounting bracket	High impact ABS

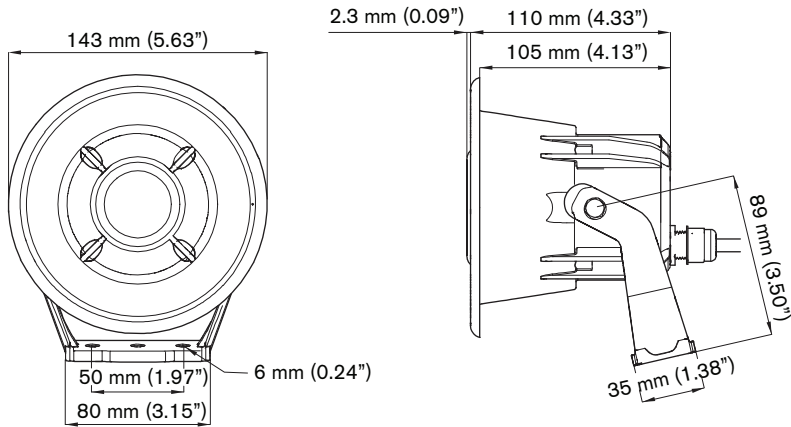
Environmental

Operating temperature	-30 °C to +70 °C (-22 °F to +158 °F)
Storage temperature	-40 °C to +70 °C (-40 °F to +158 °F)
Relative humidity	<95%

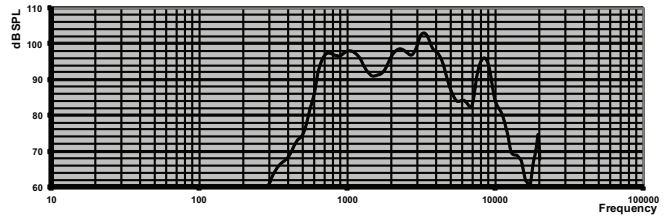
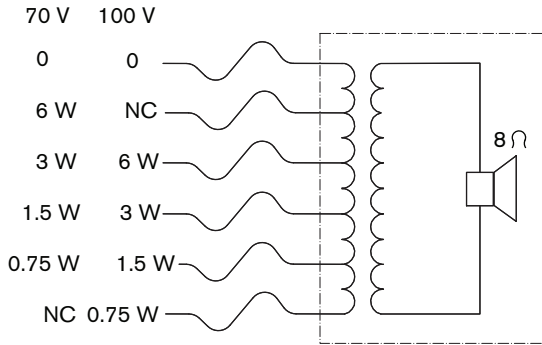
2.1 Certification and approvals

Safety	According to EN 60065
Type approval certified	According to EN 60945
Water and dust protection	According to EN 60529, IP 67
Salt mist	According to IEC 60068-11
Chlorine resistant	According to IEC 60068-2-60
Wind force resistant	According to Bft 11

2.2 Additional technical data

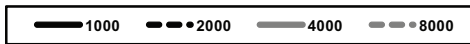
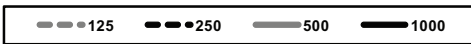
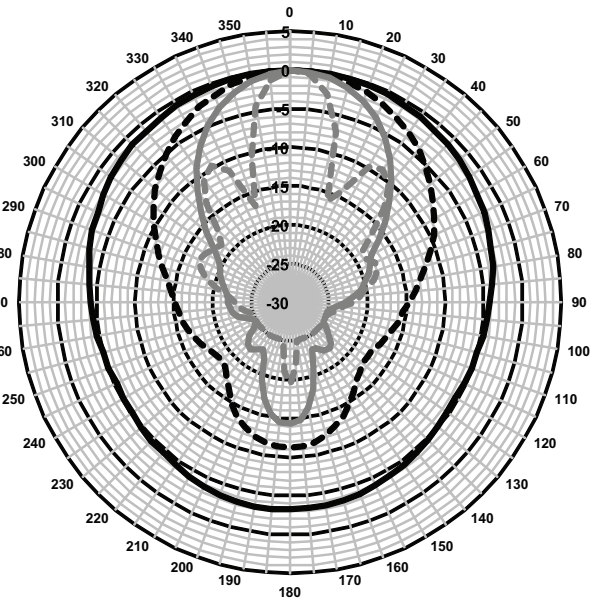
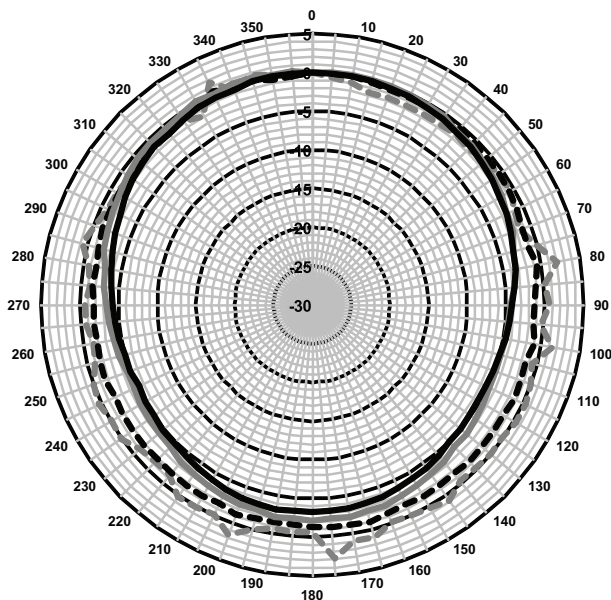


Dimensions



Circuit diagram

Frequency response



Polar diagram (Measured with pink noise)

Polar diagram (Measured with pink noise)

Bosch Security Systems B.V.

Torenallee 49

5617 BA Eindhoven

The Netherlands

www.boschsecurity.com

© Bosch Security Systems B.V., 2015