

## LBD0606/10 Ceiling loudspeaker 6W, metal with clamp



The LBD0606/10 is a general purpose, 6 W, cost effective ceiling loudspeaker. The loudspeaker can be used for reproducing music as well as speech.

### System overview

The speaker assembly consists of a single-piece, 6 W dual cone loudspeaker and frame, with a 100 V, matching transformer mounted on the back. The wide frequency range means better speech and music reproduction.

Ceiling speakers are supplied with a 100 V matching transformer with taps on the primary winding for full-power, half-power and quarter-power radiation. The LBD0606/10 has integral spring clamps on the rear which can be used to easily fix the loudspeaker into the false ceiling.

A circular metal grille is an integrated part of the front. The appearance and neutral white color has been selected to be unobtrusive in virtually all interiors. The metal grille can be painted to any color to match the background.

- ▶ Suitable for speech and music reproduction
- ▶ Flush-mounting in ceiling cavity
- ▶ Easy to install
- ▶ Simple power setting
- ▶ Unobtrusive in virtually all interiors

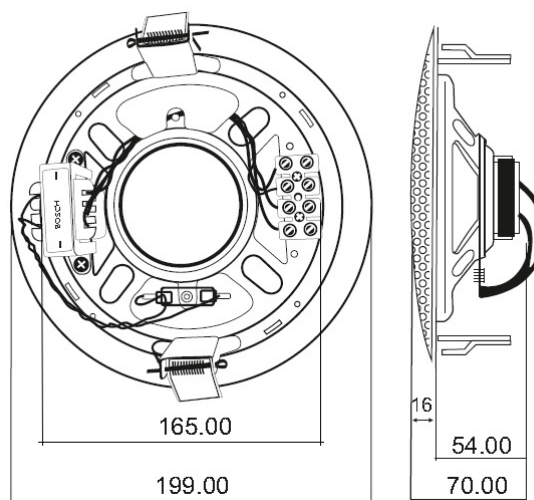


Fig. 1: Dimensions in mm

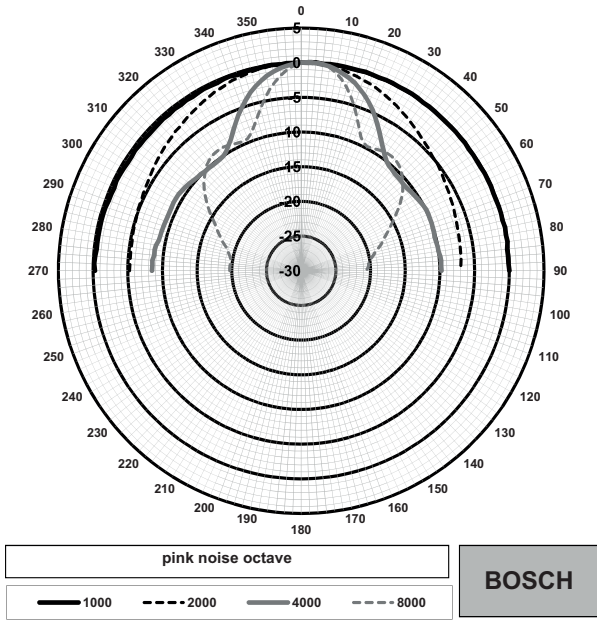


Fig. 2: Normalized polar plot

	Octave SPL 1W/1m	Total octave SPL 1W/1m	Total octave SPL Pmax/1m
125 Hz	91.3	-	-
250 Hz	90.2	-	-
500 Hz	88.9	-	-
1000 Hz	87.0	-	-
2000 Hz	93.2	-	-
4000 Hz	97.3	-	-
8000 Hz	90.7	-	-
A-weighted	-	90.7	97.9
Lin-weighted	-	91.1	98.4

(1/1)th octave band sensitivity

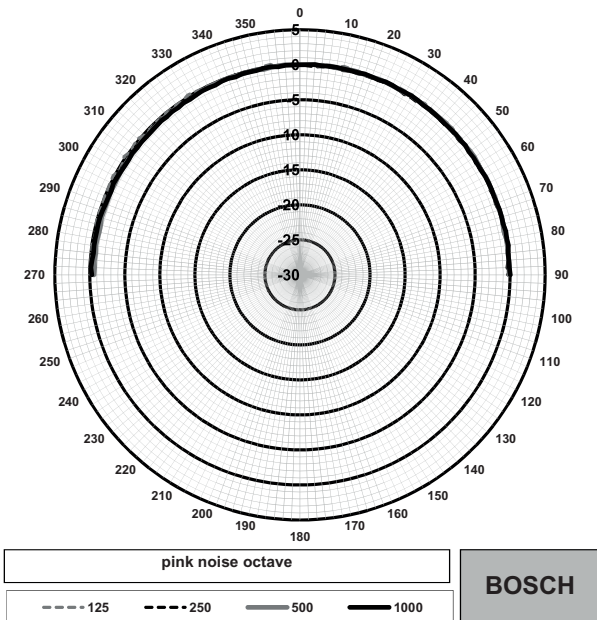


Fig. 3: Normalized polar plot

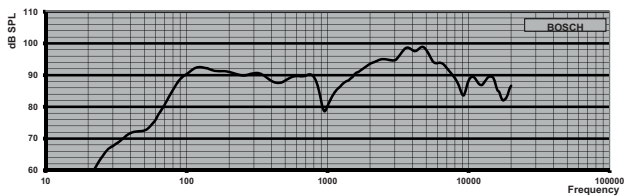


Fig. 4: Frequency diagram

Octave band opening angles			
	Horizontal	Vertical	
125 Hz	180	180	
250 Hz	180	180	
500 Hz	180	180	
1000 Hz	180	180	
2000 Hz	153	153	
4000 Hz	49	49	
8000 Hz	34	34	

Acoustical performance specified per octave.\* (all measurements are done with a pink noise signal; the values are in dB SPL).

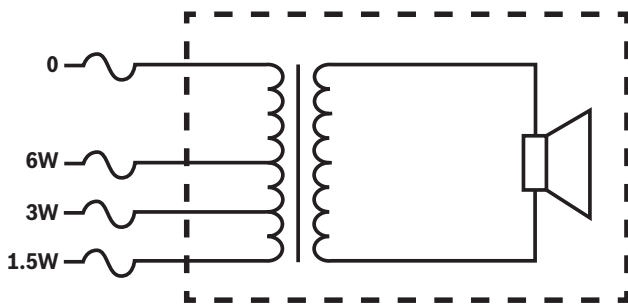


Fig. 5: Circuit diagram

**Parts included**

Quantity	Component
1	LBD0606/10 Ceiling loudspeaker 6W, metal with clamp

**Technical specifications**

**Electrical**

Rated power	6 W (6 W / 3 W / 1.5 W)
Sound pressure level at 6 W / 1 W (1 KHz at 1 m)	95 dB / 87 dB (SPL)
Effective frequency range (-10 dB)	65 Hz to 20 KHz
Opening angle at 1 KHz / 4 KHz (-6 dB)	180° / 49°

**Represented by:**

**Europe, Middle East, Africa:**  
 Bosch Security Systems B.V.  
 P.O. Box 80002  
 5600 JB Eindhoven, The Netherlands  
[www.boschsecurity.com/xc/en/contact/](http://www.boschsecurity.com/xc/en/contact/)  
[www.boschsecurity.com](http://www.boschsecurity.com)

**Germany:**  
 Bosch Sicherheitssysteme GmbH  
 Robert-Bosch-Platz 1  
 D-70839 Gerlingen  
[www.boschsecurity.com](http://www.boschsecurity.com)

**North America:**  
 Bosch Security Systems, LLC  
 130 Perinton Parkway  
 Fairport, New York, 14450, USA  
[www.boschsecurity.com](http://www.boschsecurity.com)

**Asia-Pacific:**  
 Robert Bosch (SEA) Pte Ltd, Security Systems  
 11 Bishan Street 21  
 Singapore 573943  
[www.boschsecurity.com/xc/en/contact/](http://www.boschsecurity.com/xc/en/contact/)  
[www.boschsecurity.com](http://www.boschsecurity.com)

Rated voltage	70 V / 100 V
Rated impedance	1667 ohm

**Mechanical**

Diameter	200 mm
Cutout diameter	165 mm
Maximum depth	70 mm
Weight	750 g

**Environmental**

Operating temperature	-25 °C to +55 °C
Storage temperature	-40 °C to +70 °C

**Ordering information**

**LBD0606/10 Ceiling loudspeaker 6W, metal with clamp**

Ceiling loudspeaker 6 W, circular metal grille, spring clamps for ceiling mounting  
 Order number **LBD0606/10 | F.01U.281.084**