

## Installation

LBC 3094/15

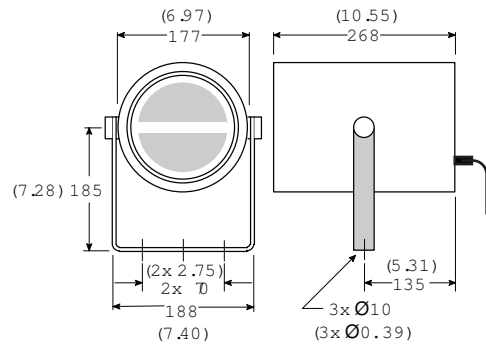
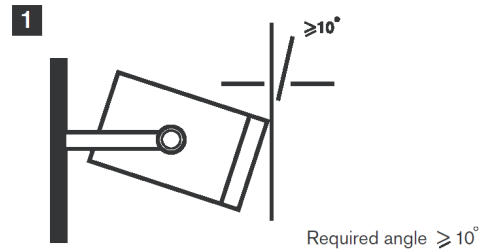


Fig. 1: Dimensions in mm (in)



Red	0
Blue	10 W
Yellow	5 W
White	2.5 W

## Circuit diagrams

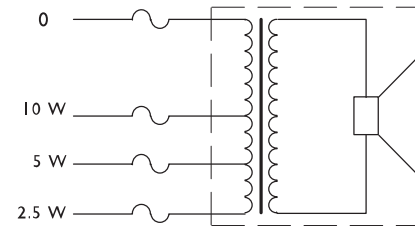


Fig. 2: Circuit diagram

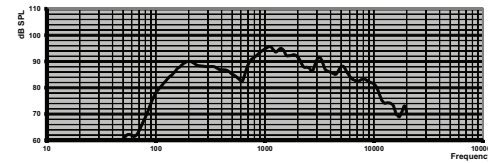


Fig. 3: Frequency response

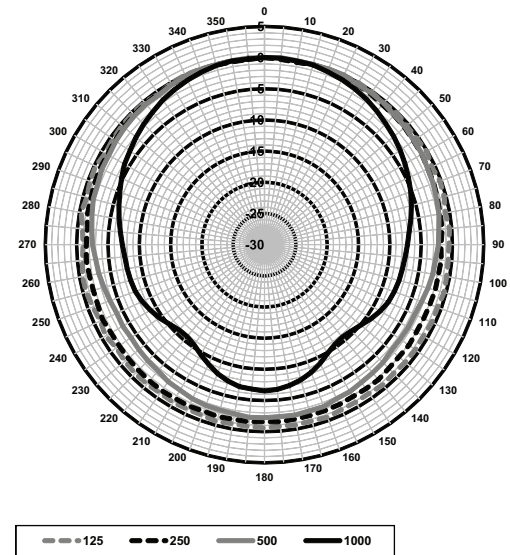


Fig. 4: Polar diagram (measured with pink noise)

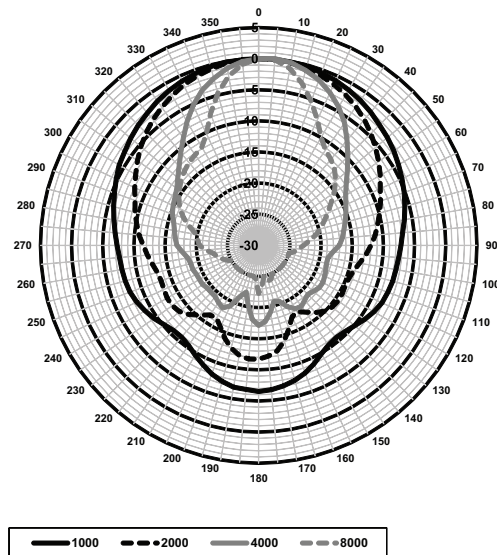


Fig. 5: Polar diagram (measured with pink noise)

## Technical data

### Electrical\*

Maximum power	15 W
Rated power (PHC)	10 W
Power tapping	10 / 5 / 2.5 W
Sound pressure level at 10 W / 1 W (1 kHz, 1 m)	104 dB / 94 dB (SPL)
Effective frequency range (-10 dB)	140 Hz to 10 kHz
Opening angle at 1 kHz / 4 kHz (-6 dB)	152° / 60°
Rated input voltage	100 V
Rated impedance	1000 ohm
Electrical connection	2 m (78.74 in) 4-core fixed cable (4 x 0.5 mm <sup>2</sup> / 20 AWG)

\* Technical performance data acc. to IEC 60268-5

### Environmental

Operating temperature	-25 °C to +55 °C (-13 °F to +131 °F)
Storage and transport temperature	-40 °C to +70 °C (-40 °F to +158 °F)
Relative humidity	<95%

### Mechanical

Dimensions (D x L)	177 x 268 mm (6.97 x 10.55 in)
Weight	2.2 kg (4.8 lb)
Color	White (RAL 9010)
Material:	
Enclosure	ABS
Bracket	Steel

Intentionally left blank



LBC3094/15 Sound projector loudspeaker,  
10W



en Installation note