

Installation

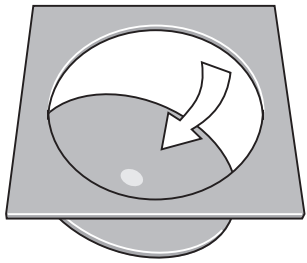


Fig. 1:

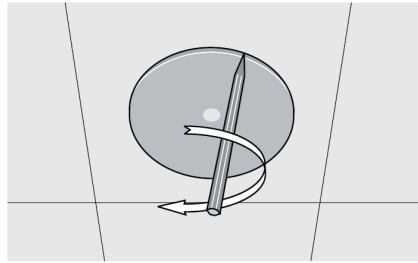


Fig. 2:

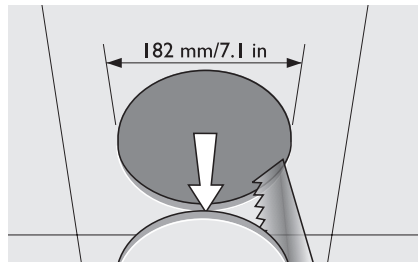


Fig. 3:

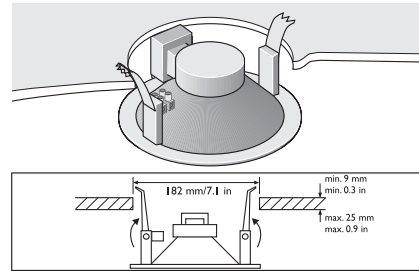


Fig. 4:

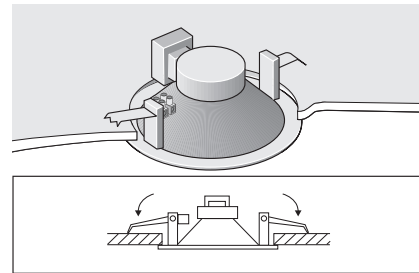


Fig. 5:

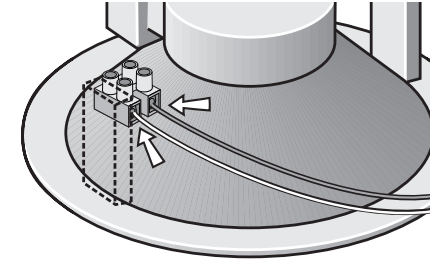


Fig. 6:

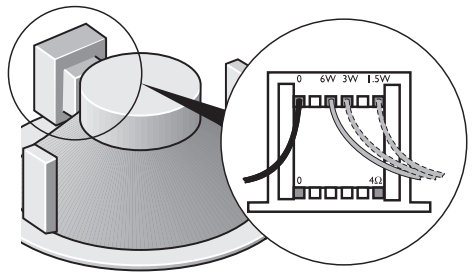


Fig. 7:

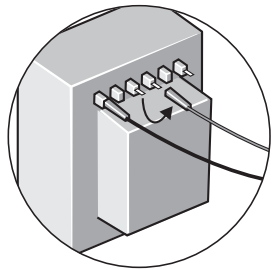


Fig. 8:

Circuit diagrams

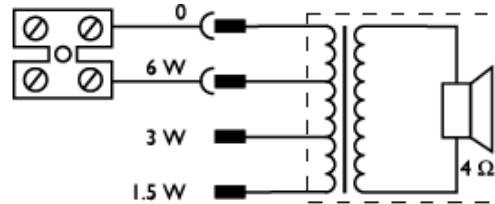


Fig. 9: Circuit diagram

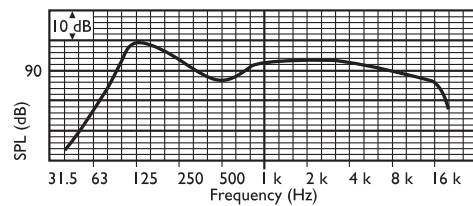


Fig. 10: Frequency response

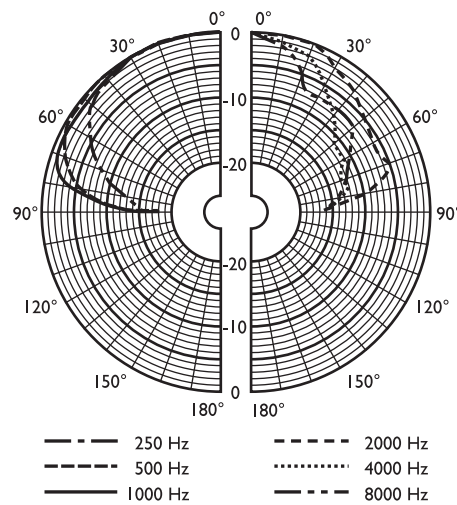
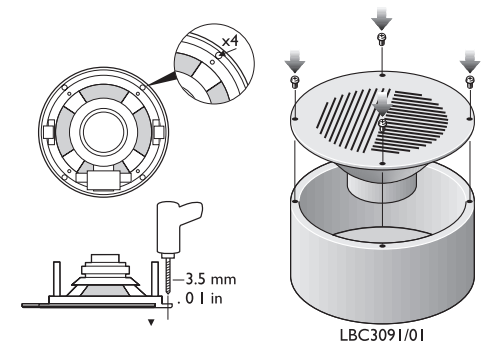
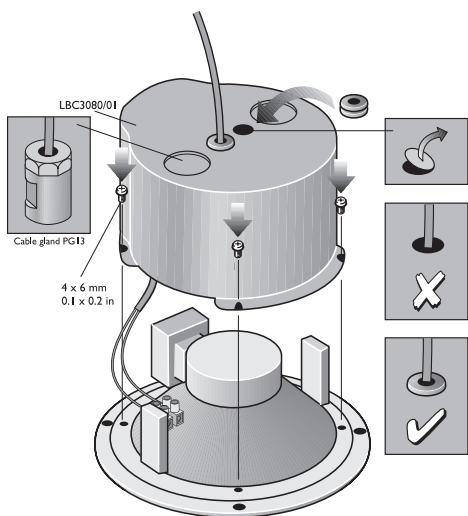


Fig. 11: Polar diagram



LBC3091/01



Technical data

Electrical*

Maximum power	9 W
Rated power	6 / 3 / 1.5 W
Sound pressure level at 6 W / 1 W (1 kHz, 1 m)	99 dB / 91 dB (SPL)
Sound pressure level at 6 W / 1 W (4 kHz, 1 m)	103 dB / 95 dB (SPL)
Effective frequency range (-10 dB)	70 Hz to 18 kHz
Opening angle at 1 kHz/4 kHz (-6 dB)	160° / 55°
Rated voltage	100 V
Rated impedance	1667 ohm

Connector	2-pole screw terminal block
-----------	-----------------------------

* Technical performance data acc. to IEC 60268-5

Mechanical

Diameter	210 mm (8.3 in)
Maximum depth	88 mm (3.5 in)
Mounting cut-out	182 + 5 mm (7.2 in)
Speaker diameter	152.4 mm (6 in)
Weight	1.1 kg (2.4 lb)
Color	White (RAL 9010)
Magnet weight	150 g (5.3 oz)

Environmental

Operating temperature	-25 °C to +55 °C (-13 °F to +131 °F)
Storage and transport temperature	-40 °C to +70 °C (-40 °F to +158 °F)



LBC3090/01 Ceiling loudspeaker, 6W, ABS with clamps



en Installation note

Relative humidity	<95%
-------------------	------

LBC3091/01

Diameter	210 mm (8.3 in)
Maximum depth	93 mm (3.6 in)
Weight	290 g (0.6 lb)
Color	White (RAL 9010)

LBC3080/01

Diameter	147 mm (5.8 in)
Maximum depth	87 mm (3.4 in)
Weight	360 g (0.8 lb)
Color	Flame red (RAL 3000)
Certified B15	acc. to DIN 4102