

LBC3080/11 Metal fire dome, white

www.boschsecurity.com



BOSCH
Invented for life



- ▶ Protects the rear of the ceiling loudspeaker
- ▶ Easy assembly with the loudspeaker
- ▶ Knockout holes for two grommets and two cable glands
- ▶ B15 certified according to DIN 4102-8

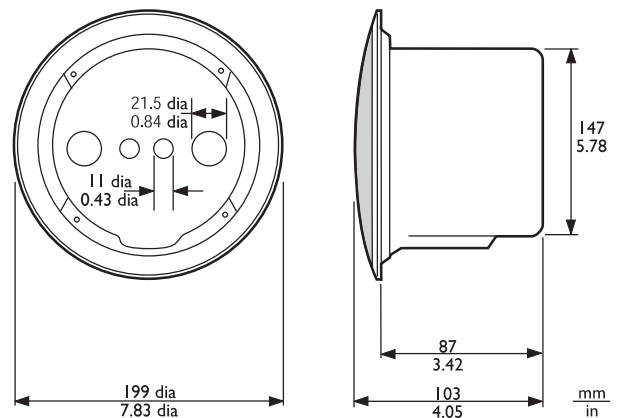
During a fire, the ceiling cavity can allow fire or smoke to spread throughout a building. To inhibit fire entering the cavity via the ceiling loudspeaker, it can be fitted with an LBC3080/11 steel fire dome. This is mounted on the loudspeaker assembly using four self-tapping screws supplied with the fire dome. The fire-dome has knockout holes for two grommets (supplied) and two cable glands (PG 13).

This fire dome can only be used with the ceiling speakers: LBC3087/41, LBC3090/01, LBC3090/31, LHM0606/00, LHM0606/10 and LHM0626/00.

Certifications and approvals

B15	DIN 4102-8
-----	------------

Installation/configuration notes



LBC3090/01 and LBC3080/11 Fire Dome assembly dimensions in mm (in)

Parts included

Quantity	Component
1	LBC3080/11 Fire Dome
4	Self-tapping screws
2	Rubber grommets

Technical specifications

Dimensions (dia. x max depth)	147 x 87 mm (5.8 x 3.4 in)
Weight	360 g (0.8 lb)
Color	White (RAL 9010)

Ordering information**LBC3080/11 Metal fire dome, white**

Metal fire dome for LBC3087/41, LBC3090/01, LBC3090/31, LHM0606/00, LHM0606/10 and LHM0626/00 ceiling loudspeakers, white RAL 9010.
Order number **LBC3080/11**

Represented by:

Europe, Middle East, Africa:
Bosch Security Systems B.V.
P.O. Box 80002
5600 JB Eindhoven, The Netherlands
Phone: + 31 40 2577 284
emea.securitysystems@bosch.com
emea.boschsecurity.com

Germany:
Bosch Sicherheitssysteme GmbH
Robert-Bosch-Ring 5
85630 Grasbrunn
Germany
www.boschsecurity.com

North America:
Bosch Security Systems, Inc.
130 Perinton Parkway
Fairport, New York, 14450, USA
Phone: +1 800 289 0096
Fax: +1 585 223 9180
onlinehelp@us.bosch.com
www.boschsecurity.us

Asia-Pacific:
Robert Bosch (SEA) Pte Ltd, Security Systems
11 Bishan Street 21
Singapore 573943
Phone: +65 6571 2808
Fax: +65 6571 2699
apr.securitysystems@bosch.com
www.boschsecurity.asia