

Installation

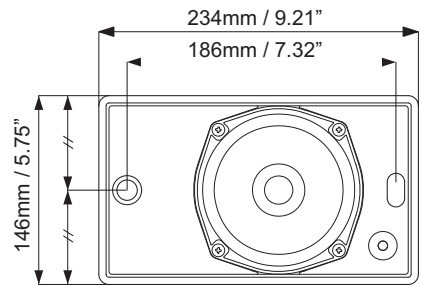


Fig. 1:

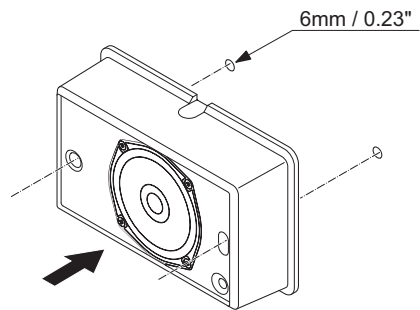


Fig. 2:

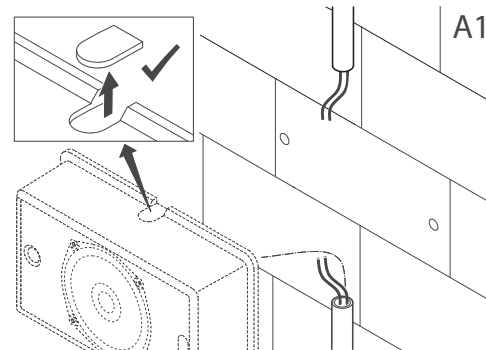


Fig. 3:

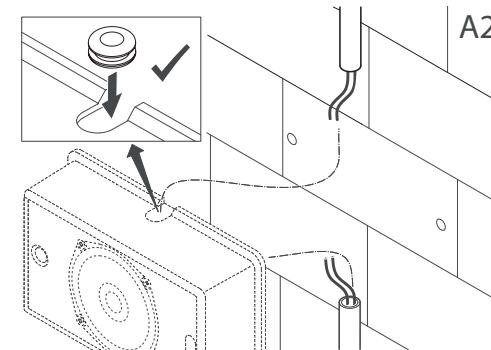


Fig. 4:

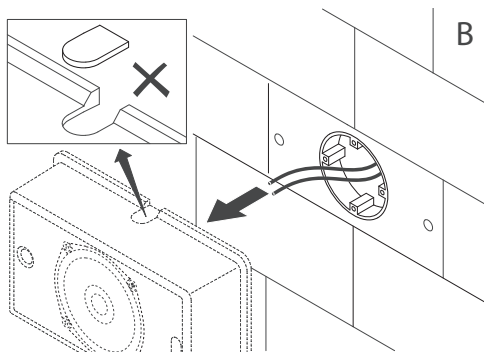


Fig. 5:

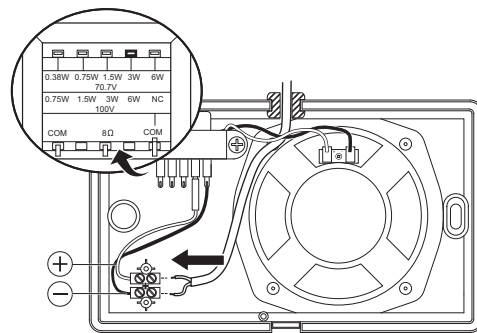


Fig. 6:

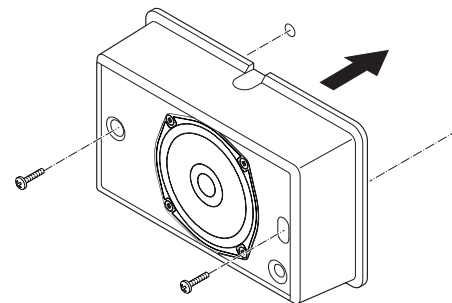


Fig. 7:

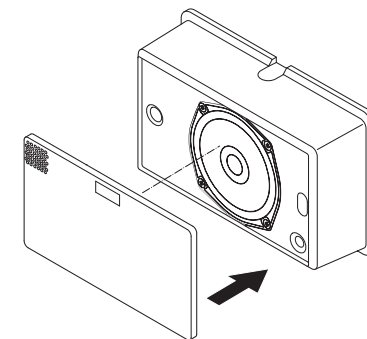


Fig. 8:

Circuit diagrams

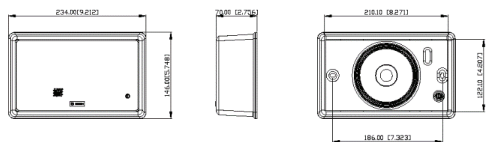


Fig. 9: Dimensions in mm (in)

LB7-UC06E

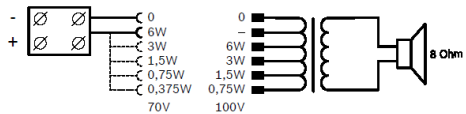


Fig. 10: Circuit diagram

Opening angle at 1 kHz / 4 kHz (-6 dB)	180°/ 90° (horizontal) 180°/ 98° (vertical)
Rated voltage	70/100 V
Rated impedance	835/1667 Ohm @ 6W 1667/3333 Ohm @ 3W 3333/6667 Ohm @ 1.5W 6667/13333 Ohm @ 0.75W 13333 Ohm @ 0.375W (70V only)
Connector	1 x 2-pole ABS screw terminal block
Acceptable wire gauge	0.5 to 4 mm ²

* Technical performance data acc. to IEC 60268-5

Mechanical

Dimensions (H x W x D)	146 x 234 x 70 mm
------------------------	-------------------

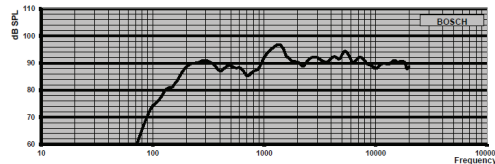


Fig. 11: Frequency response

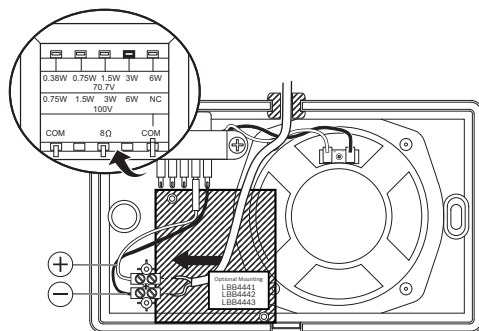


Fig. 12: Optional EOL board

Weight	1.08 kg
Color	White (RAL 9003)

Environmental

Operating temperature	-10 to +55 (14°F to +131°F)
Storage and transport temperature	-40 °C to +70 °C (-40 °F to +158 °F)
Relative humidity	< 95%

Note:

- The specification data is measured in an anechoic chamber, free field
- The reference axis is perpendicular to the center point of the front grille
- The reference plane is perpendicular to the center of the reference axis
- The horizontal plane is perpendicular to the center of the reference plane

Technical data

Electrical*

Rated power (PHC)	6W
Transformer taps	70V: 6W, 3W, 1.5W, 0.75W, 0.375W 100V: 6W, 3W, 1.5W, 0.75W
Sound pressure level at 6 W/1 W (1 kHz, 1 m)	102 dB / 94 dB
Sound pressure level at 6 W/1 W (1 kHz, 4 m)	89 dB / 81 dB
Frequency response (-10 dB)	160 Hz to 20 kHz

LB7-UC06E ABS cabinet loudspeaker 6 W LB7-UC06E



en Installation note

 1438
Bosch Security Systems BV Torenallee 49, 5617 BA Eindhoven, the Netherlands 18 1438-CPR-0591
EN 54-24:2008 Loudspeaker for voice alarm systems for fire detection and fire alarm systems for buildings Cabinet Loudspeaker 6 W LB7-UC06E Type A DoP: DECL DoP EUR EN54-24 LB7-UC06E-ABS

Bosch Security Systems B.V.

Torenallee 49
5617 BA Eindhoven
The Netherlands

www.boschsecurity.com

© Bosch Security Systems B.V., 2018