

Installation

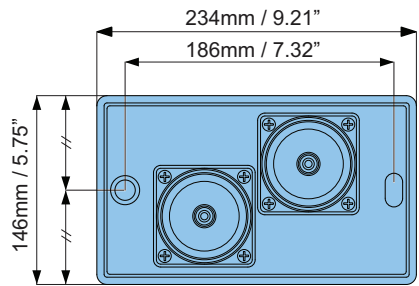


Fig. 1: Dimensions

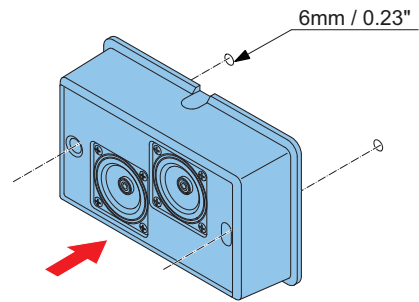


Fig. 2:

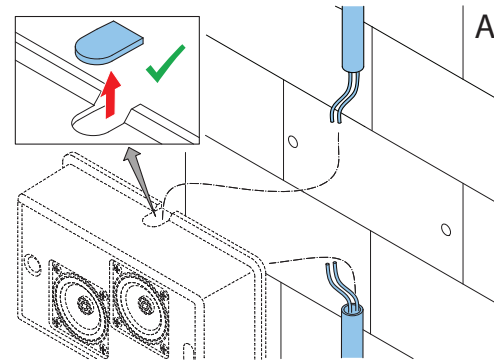


Fig. 3:

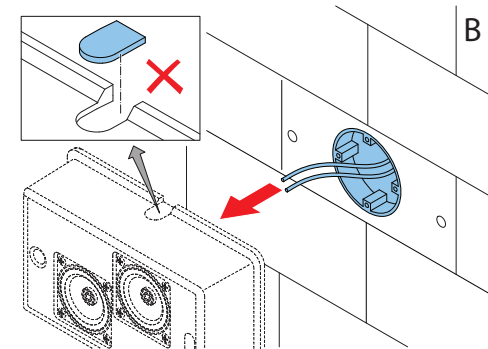


Fig. 4:

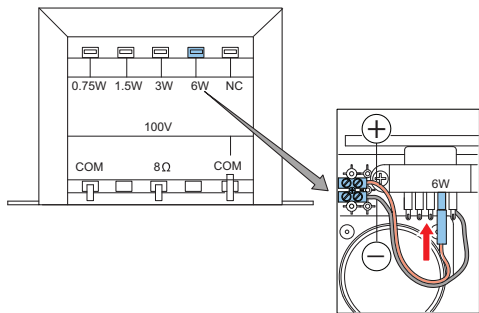


Fig. 5:

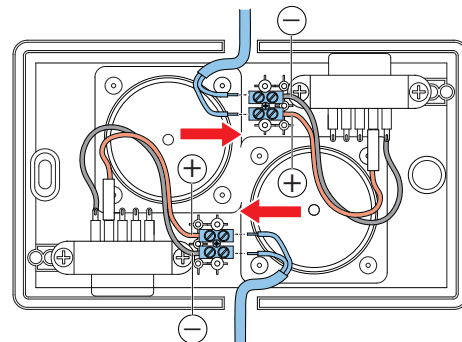


Fig. 6:

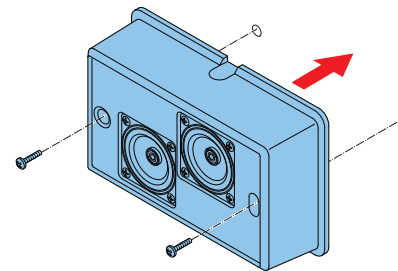


Fig. 7:

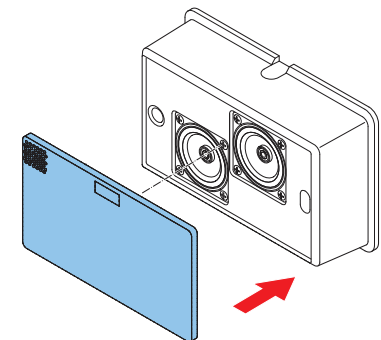
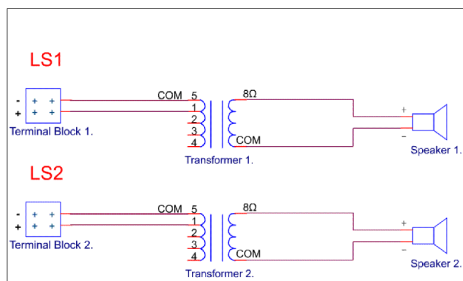


Fig. 8:

Circuit diagrams



Power: 100V	LS1	LS2
1	6W	6W
2	3W	3W
3	1.5W	1.5W
4	0.75W	0.75W

Fig. 9: Circuit diagram

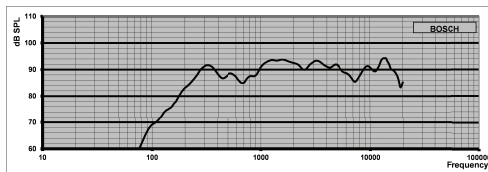


Fig. 10: Frequency response

Note:

- The specification data is measured in an anechoic chamber, free field
- The reference axis is perpendicular to the center point of the front grille
- The reference plane is perpendicular to the center of the reference axis
- The horizontal plane is perpendicular to the center of the reference plane

Technical data

Environmental

Operating temperature	-10 to +55 (14°F to +131°F)
Storage and transport temperature	-40 °C to +70 °C (-40 °F to +158 °F)
Relative humidity	< 95%

Mechanical

Dimensions (H x W x D)	146 x 234 x 70 mm
Weight	1.33 kg
Color	White (RAL 9003)

Electrical*

Rated power (PHC)	2 x 6 W (6-3 - 1.5 - 0.75 W)
-------------------	------------------------------



LB7-UC06E-AB A/B Cabinet Loudspeaker 6W




en Installation note

Sound pressure level at 6 W/1 W (1 kHz, 1 m)	96 / 88 dB (single driver) 99 / 91 dB (both drivers)
Sound pressure level at 6 W/1 W (1 kHz, 4 m)	84 / 75 dB (single driver) 88 / 77 dB (both drivers)
Frequency response (-10 dB)	180 Hz to 20 kHz
Opening angle at 1 kHz / 4 kHz (-6 dB)	180°/ 120° horizontal (single driver) 155°/ 71° horizontal (both drivers) 180°/ 136° vertical (single driver) 180°/ 47° vertical (both drivers)

Rated voltage	100 V
Rated impedance	1667 Ohm @ 6 W
	3333 Ohm @ 3 W
	6667 Ohm @ 1.5 W
	13333 Ohm @ 0.75 W
Connector	2 x 2-pole ABS screw terminal block
Acceptable wire gauge	0.5 to 4 mm ²

* Technical performance data acc. to IEC 60268-5

 1438	
Bosch Security Systems BV Torenallee 49, 5617 BA Eindhoven, the Netherlands 18 1438-CPR-0579	
EN 54-24:2008 Loudspeaker for voice alarm systems for fire detection and fire alarm systems for buildings	
A/B Cabinet Loudspeaker 6 W LB7-UC06E-AB Type A DoP: DECL DoP EUR EN54-24 LB7-UC06E-AB	