

Installation

LB1-UW06-D1 and LB1-UW06-L1 Cabinet Loudspeaker. LB1-UW06V-D1 and LB1-UW06V-L1 Cabinet Loudspeaker with volume control.

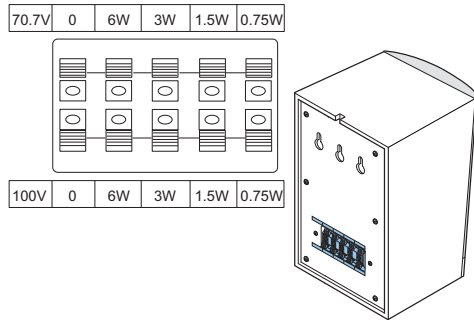


Fig. 1: Power setting

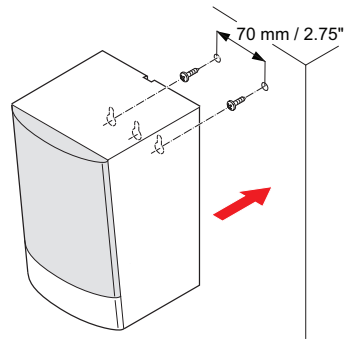


Fig. 2: LB1-UW06-x1 wall mounting

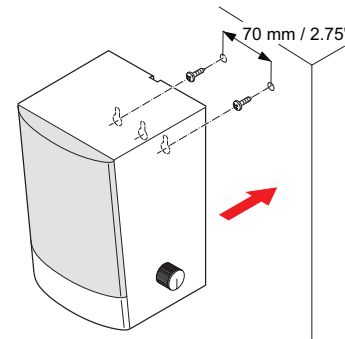


Fig. 3: LB1-UW06V-x1 wall mounting

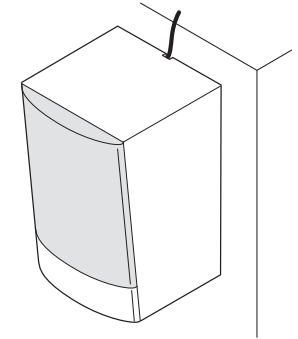


Fig. 4: LB1-UW06-x1 cable outlet

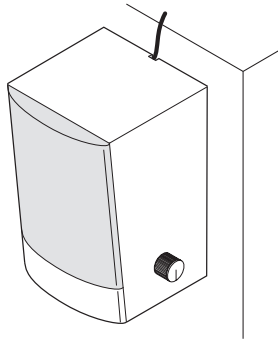


Fig. 5: LB1-UW06V-x1 cable outlet

Technical data

Electrical*

Maximum power	9 W
Rated power	6 / 3 / 1.5 / 0.75 W
Sound pressure level at 6 W / 1 W (1 kHz, 1 m)	99 dB / 91 dB (SPL)
Sound pressure level at 6 W / 1 W (4 kHz, 1 m)	100 dB / 92 dB (SPL)
Effective frequency range	185 Hz to 17 kHz (-10 dB)
Opening angle	1 kHz / 4 kHz (-6 dB)
horizontal	195° / 82°
vertical	n.a.
Rated input voltage	70 V / 100 V
Rated impedance	835 / 1667 ohm

Connector	2x 5-pole push-in terminal block
-----------	----------------------------------

* Technical performance data acc. to IEC 60268-5

Mechanical

Dimensions (H x W x D)	240x151x141/119 mm (9.4 x 5.9 x 5.6/4.7 in)
Weight	1.49 kg (3.28 lb)
Color	Black (D1) or white (L1)
cabinet / cloth (D1)	Matches RAL 9004 / RAL 9004
cabinet / cloth (L1)	Matches RAL 9010 / RAL 7044

Environmental

Operating temperature	-25 °C to +55°C (-13 °F to +131 °F)
Storage temperature	-40 °C to +70 °C (-40 °F to +158 °F)

Relative humidity	<95%
-------------------	------

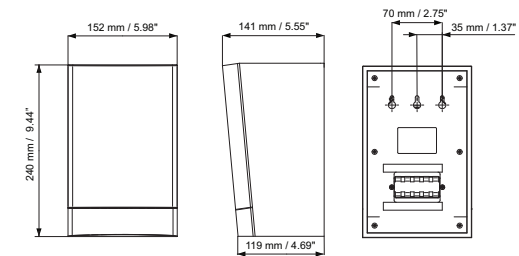


Fig. 6: LB1-UW06-x1 dimensions

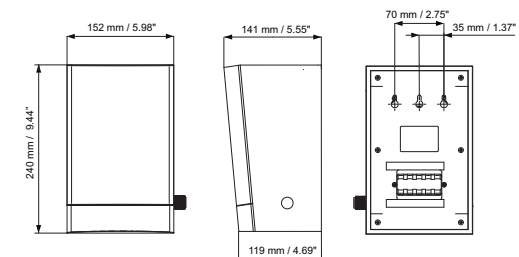


Fig. 7: LB1-UW06V-x1 dimensions

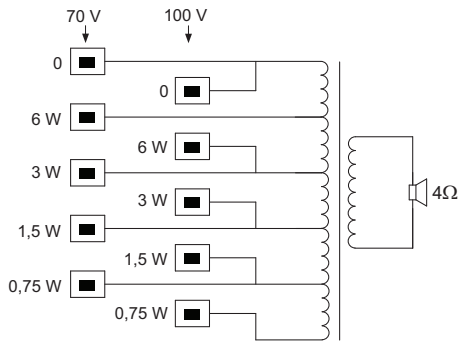


Fig. 8: LB1-UW06-x1 circuit

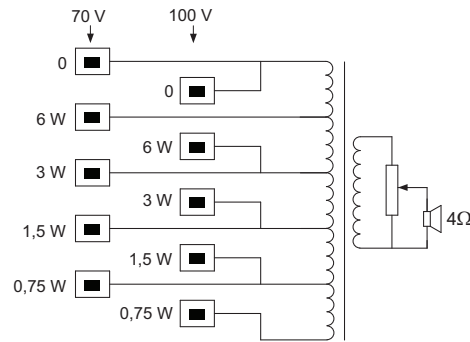


Fig. 9: LB1-UW06V-x1 circuit

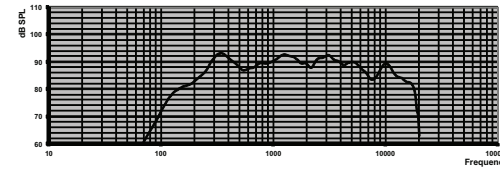


Fig. 10: Frequency response



Cabinet Loudspeakers

Installation note



en Installation note

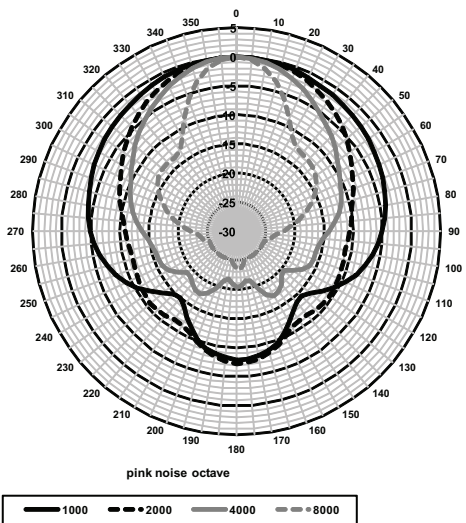


Fig. 11: Polar diagram (measured with pink noise)

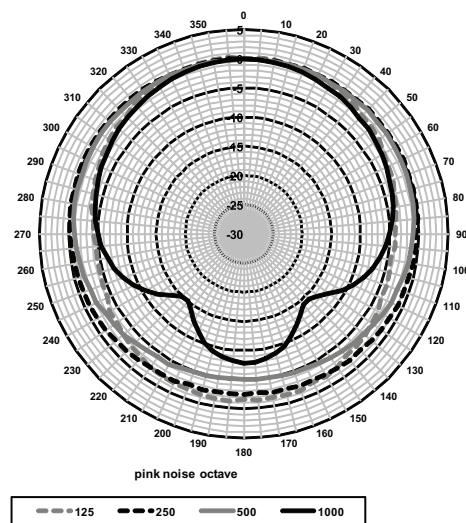


Fig. 12: Polar diagram (measured with pink noise)

Bosch Security Systems B.V.

Torenallee 49
5617 BA Eindhoven
The Netherlands

www.boschsecurity.com

© Bosch Security Systems B.V., 2014