

## LA2-UM30-LZL-IN Column loudspeaker 30W, 8Ω, metal, white



- ▶ For applications where directivity is important
- ▶ Good speech intelligibility and background music reproduction
- ▶ Swivel wall-mounting bracket supplied as standard

The LA2-UM30-LZL-IN metal column loudspeaker delivers professional performance from a robust, yet aesthetically designed metal enclosure in a white finish.

It is an ideal column loudspeaker where sound beaming is required, for indoor use in passenger terminals, places of worship, conference venues, factories, exhibition areas.

A swivel wall mounting bracket is supplied as standard, allowing accurate positioning.

### Installation/configuration notes

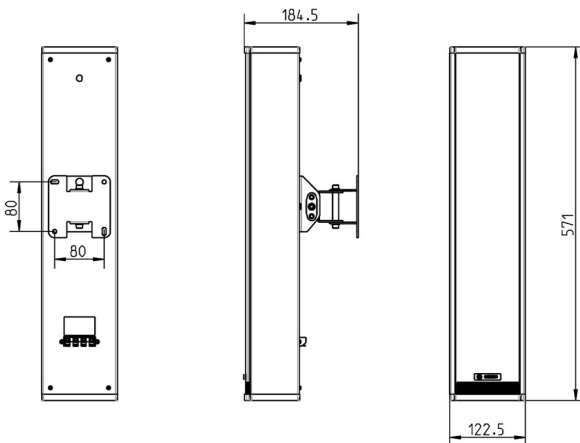


Fig. 1: Dimensions LA2-UM30-LZL-IN

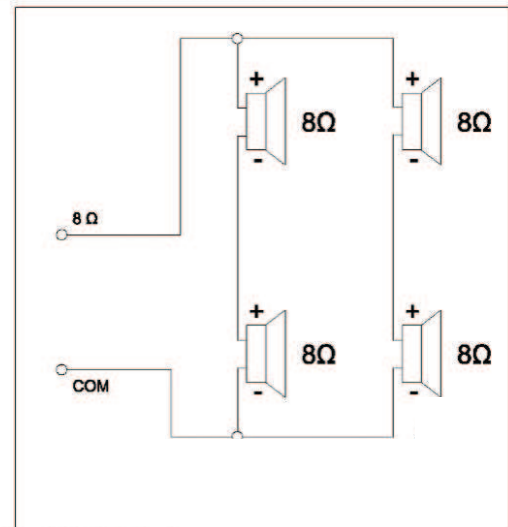


Fig. 2: Circuit diagram LA2-UM30-LZL-IN

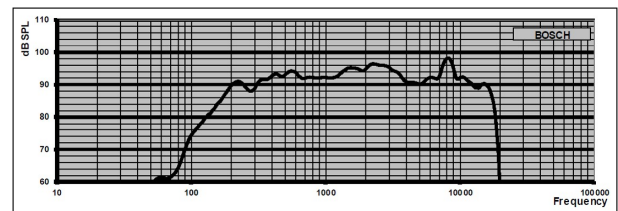


Fig. 3: Frequency response LA2-UM30-LZL-IN

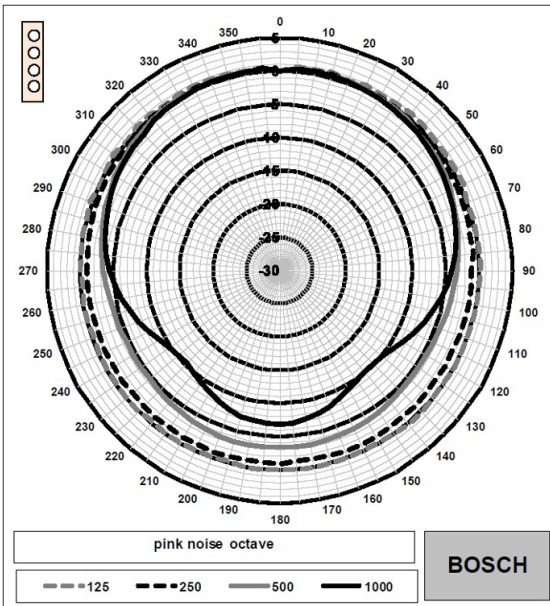


Fig. 4: Polar diagram LA2-UM30-LZL-IN (measured with pink noise)

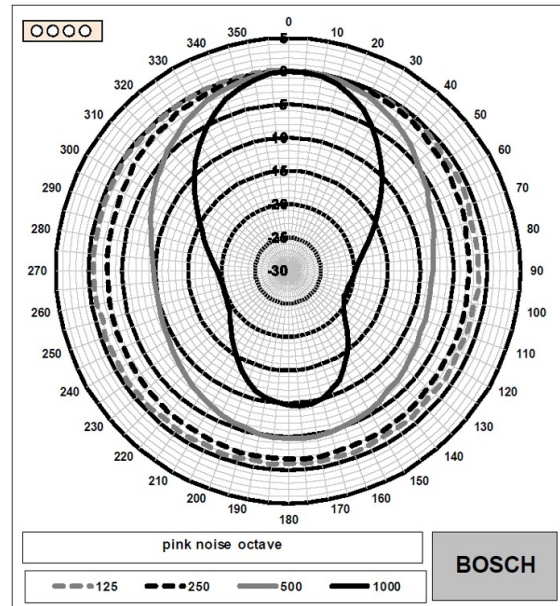


Fig. 6: Polar diagram LA2-UM30-LZL-IN (measured with pink noise)

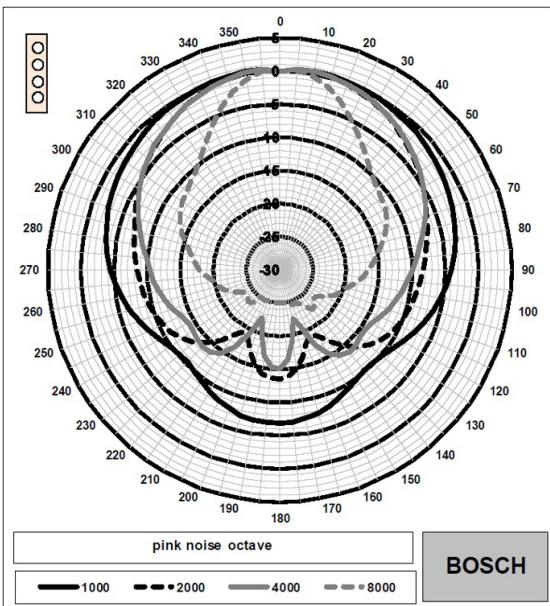


Fig. 5: Polar diagram LA2-UM30-LZL-IN (measured with pink noise)

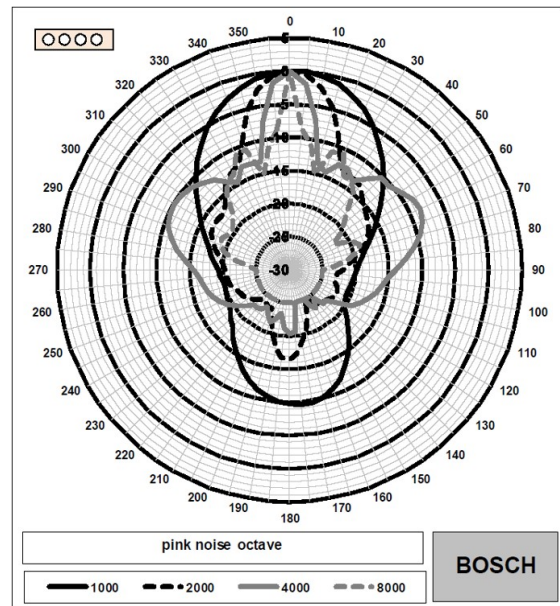


Fig. 7: Polar diagram LA2-UM30-LZL-IN (measured with pink noise)

**Parts included**

Quantity	Component
1	LA2-UM30-LZL-IN Metal Column loudspeaker
1	Wall mounting bracket
1	Installation instruction

## Technical specifications

### Electrical

	LA2-UM30-LZL-IN
Maximum power	45 W
Rated power (PHC)	30 W
Sound pressure level at rated power / 1 W (1 kHz, 1 m)	106 / 94 dB (SPL)
Effective frequency range (-10 dB)	150 Hz to 18 kHz
Horizontal opening angle at 1 kHz / 4 kHz (-6 dB)	198° / 130°
Vertical opening angle at 1 kHz / 4 kHz (-6 dB)	62° / 18°
Nominal impedance	8 Ω

### Mechanical

	LA2-UM30-LZL-IN
Dimensions (L x W x D)	571 x 122 x 90 mm (22.4 x 4.8 x 3.5 in)
Weight	4.8 kg (10.6 lb)
Color	Signal white RAL 9003
Material	Steel
Connection	Push terminal for speakers
Connector	1 x 4 Way Push Type

### Environmental

	LA2-UM30-LZL-IN
Operating temperature	0 °C to +55 °C (32 °F to +131 °F)
Storage and transport temperature	-10 °C to +70 °C (-14 °F to +158 °F)
Relative humidity	≤95%

## Ordering information

### LA2-UM30-LZL-IN Column loudspeaker 30W, 8Ω, metal, white

Column loudspeaker 30 W, 8 Ohm, metal enclosure, finished in white, supplied with a swivel wall mounting bracket.

Order number **LA2-UM30-LZL-IN | F.01U.344.886**

#### Represented by:

**Europe, Middle East, Africa:**  
Bosch Security Systems B.V.  
P.O. Box 80002  
5600 JB Eindhoven, The Netherlands  
[www.boschsecurity.com/xc/en/contact/](http://www.boschsecurity.com/xc/en/contact/)  
[www.boschsecurity.com](http://www.boschsecurity.com)

**Germany:**  
Bosch Sicherheitssysteme GmbH  
Robert-Bosch-Platz 1  
D-70839 Gerlingen  
[www.boschsecurity.com](http://www.boschsecurity.com)

**North America:**  
Bosch Security Systems, LLC  
130 Perinton Parkway  
Fairport, New York, 14450, USA  
[www.boschsecurity.com](http://www.boschsecurity.com)

**Asia-Pacific:**  
Robert Bosch (SEA) Pte Ltd, Security Systems  
11 Bishan Street 21  
Singapore 573943  
[www.boschsecurity.com/xc/en/contact/](http://www.boschsecurity.com/xc/en/contact/)  
[www.boschsecurity.com](http://www.boschsecurity.com)