

LA2-UM30-D-IN Column loudspeaker 30W, metal, black



- ▶ For applications where directivity is important
- ▶ Good speech intelligibility and background music reproduction
- ▶ Swivel wall-mounting bracket supplied as standard

The LA2-UM30-D-IN metal column loudspeaker delivers professional performance from a robust, yet aesthetically designed metal enclosure in a black finish.

It is an ideal column loudspeaker where sound beaming is required, for indoor use in passenger terminals, places of worship, conference venues, factories, exhibition areas.

A swivel wall-mounting bracket is supplied as standard, allowing accurate positioning.

Installation/configuration notes

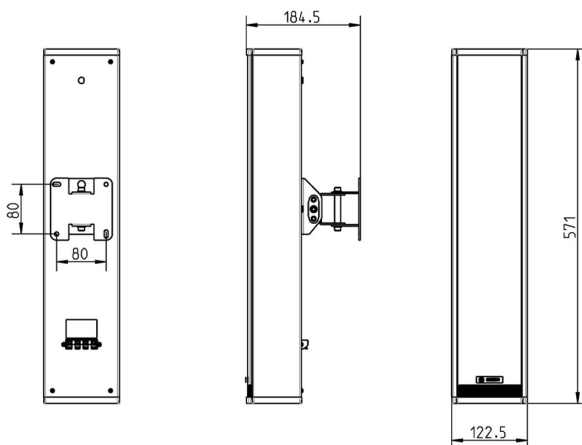


Fig. 1: Dimensions LA2-UM30-D-IN

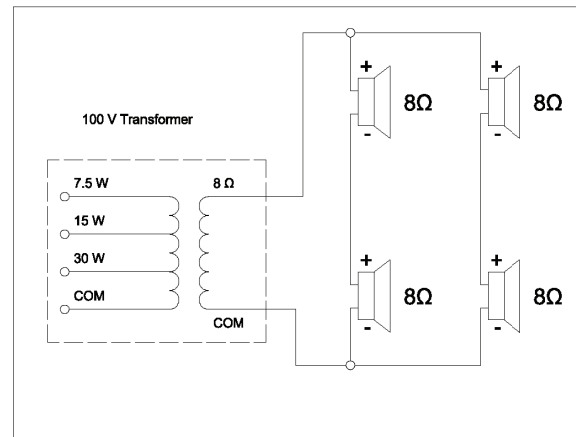


Fig. 2: Circuit diagram LA2-UM30-D-IN

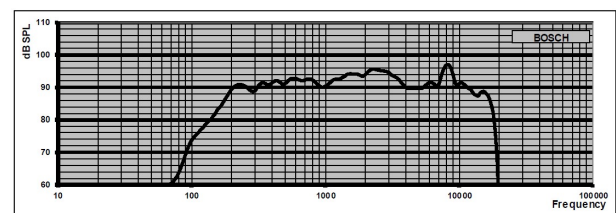


Fig. 3: Frequency response LA2-UM30-D-IN

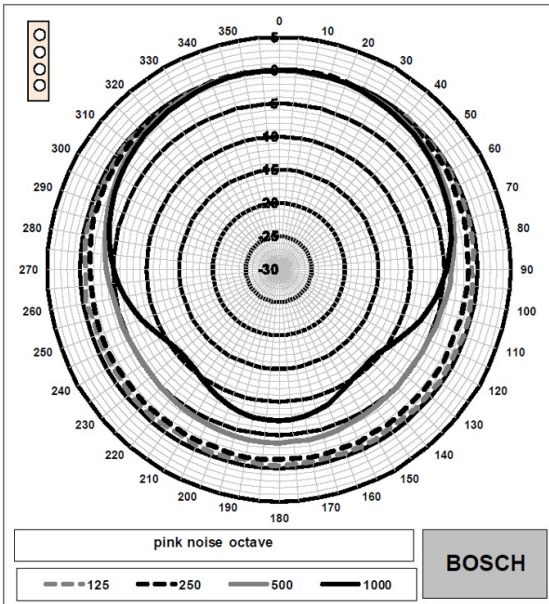


Fig. 4: Polar diagram LA2-UM30-D-IN (horizontal measured with pink noise)

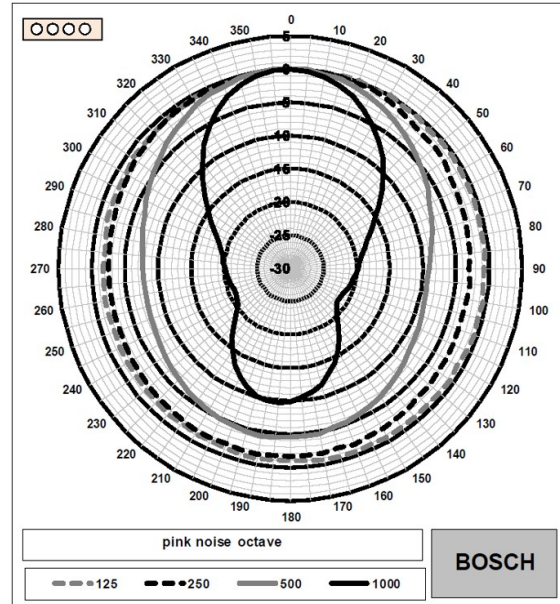


Fig. 6: Polar diagram LA2-UM30-D-IN (vertical measured with pink noise)

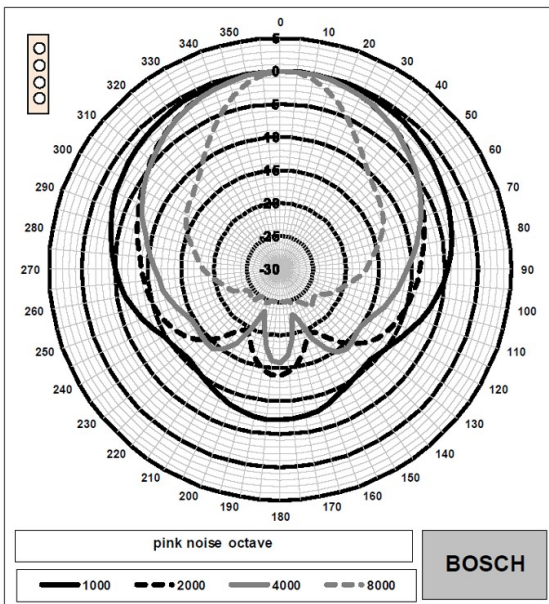


Fig. 5: Polar diagram LA2-UM30-D-IN (horizontal measured with pink noise)

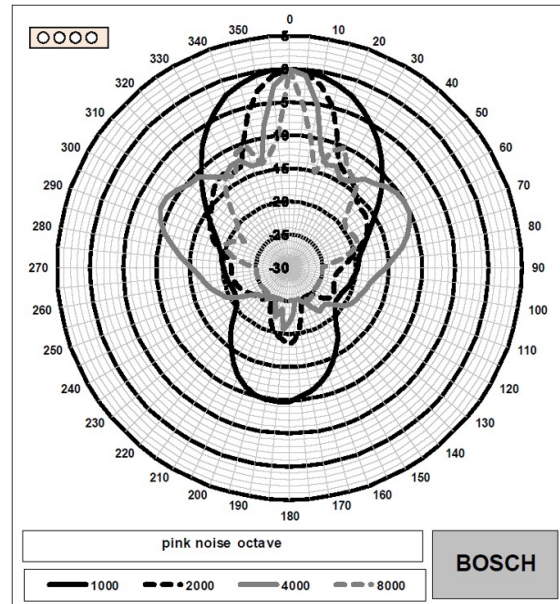


Fig. 7: Polar diagram LA2-UM30-D-IN (vertical measured with pink noise)

Parts included

Quantity	Component
1	LA2-UM30-D-IN Column loudspeaker 30W, metal, black
1	Wall-mounting bracket
1	Installation instructions

Technical specifications

Electrical

Maximum power	45 W
Rated power (PHC)	30 W
Sound pressure level at rated power / 1 W (1 kHz, 1 m)	105 / 92 Db SPL
Effective frequency range (-10 dB)	153 Hz – 17.7 kHz
Horizontal opening angle at 1 kHz / 4 kHz (-6 dB)	198° / 130°
Vertical opening angle at 1 kHz / 4 kHz (-6 dB)	62° / 18°
Rated input voltage	100 V
Rated impedance	
Full power	333 Ω
Half power	667 Ω
Quarter power	1333 Ω

Mechanical

Dimensions (L x W x D)	571 mm x 122 mm x 90 mm (22.4 in. x 4.8 in. x 3.5 in.)
Weight	5.3 kg (11.7 lb)
Color	Traffic black RAL 9017
Material	Steel
Connection	Push terminal for speakers
Connector	1 x 4 Way Push Type

Environmental

Operating temperature	0 °C – 55 °C (32 °F – 131 °F)
Storage and transport temperature	-10 °C – 70 °C (-14 °F – 158 °F)
Relative humidity	≤ 95%

Ordering information

LA2-UM30-D-IN Column loudspeaker 30W, metal, black

Column loudspeaker 30 W, metal enclosure, finished in black, supplied with a swivel wall-mounting bracket.
Order number **LA2-UM30-D-IN | F.01U.344.878**

Represented by:

Europe, Middle East, Africa:
Bosch Security Systems B.V.
P.O. Box 80002
5600 JB Eindhoven, The Netherlands
www.boschsecurity.com/xc/en/contact/
www.boschsecurity.com

Germany:
Bosch Sicherheitssysteme GmbH
Robert-Bosch-Platz 1
D-70839 Gerlingen
www.boschsecurity.com

North America:
Bosch Security Systems, LLC
130 Perinton Parkway
Fairport, New York, 14450, USA
www.boschsecurity.com

Asia-Pacific:
Robert Bosch (SEA) Pte Ltd, Security Systems
11 Bishan Street 21
Singapore 573943
www.boschsecurity.com/xc/en/contact/
www.boschsecurity.com