

Installation Instructions for use with the CTS1-70 Tamper Switch

General Information

- The CTS1-70 may be installed in the DS7100 control panel for use as a cover tamper switch, a wall tamper switch or both (2 required). The CTS1-70 is intended for connection to Normally Closed tamper or supervised circuits, and operates as a Normally Closed device when the plunger is depressed. Contacts are rated 0.3 Amps, 100 VDC, maximum.

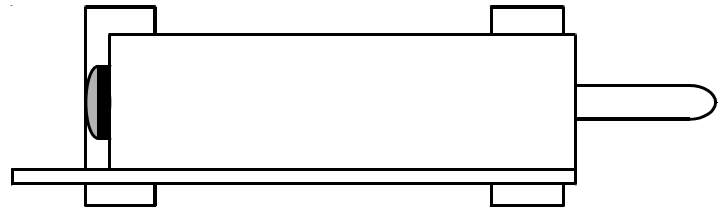
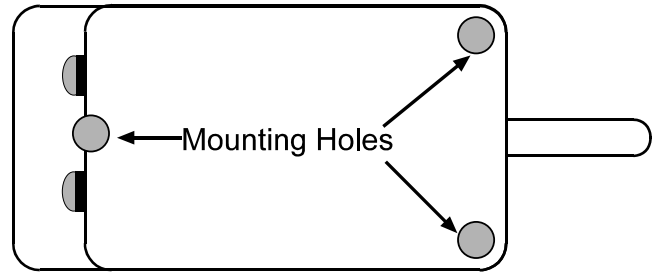
Installation

- Open the DS7100 control cover, and locate the two mounting hole patterns on the right side panel. Each pattern consists of three holes that match the pattern on the tamper switch (see insert below).
- Choose the appropriate pattern. The top pattern is used for cover tamper mounting; the bottom pattern is used for wall tamper mounting.
- Mount the tamper switch to the inside of the control box using the #6-32 hardware supplied with the tamper switch.



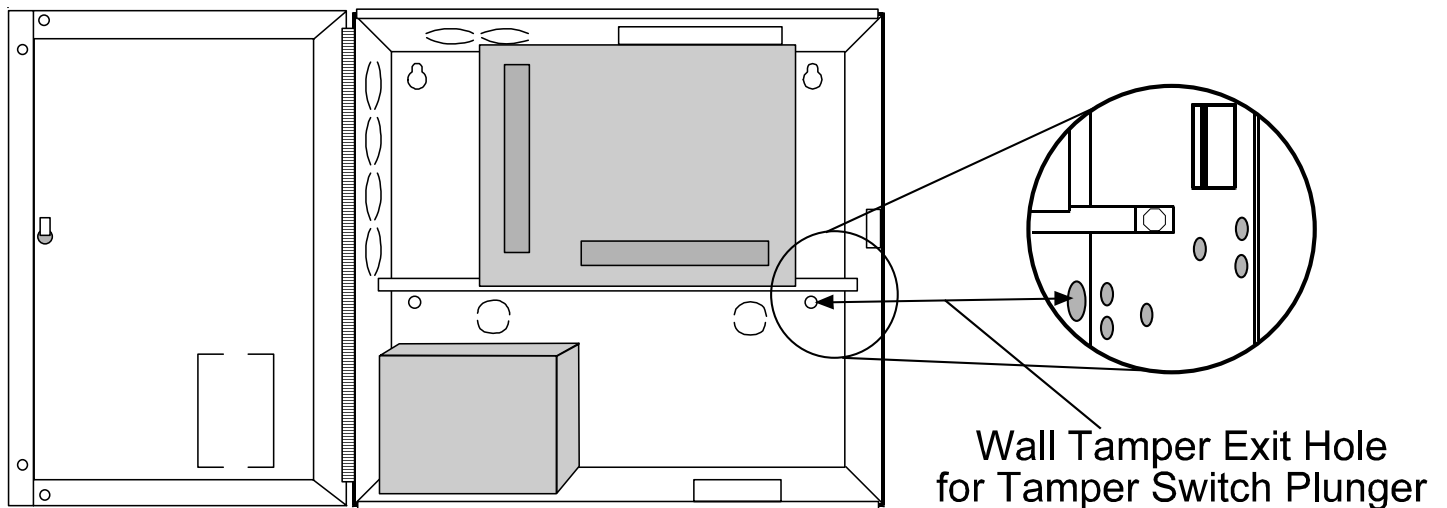
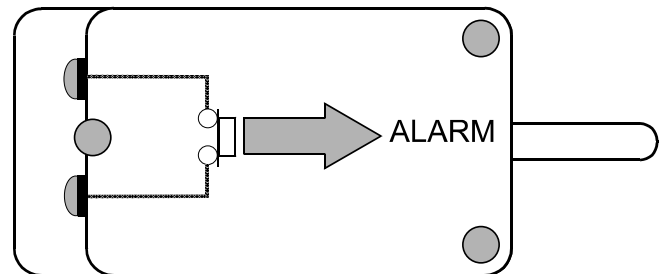
IMPORTANT

For safety reasons, install the hardware so that the screw heads are on the outside of the box, and the nuts are on the inside.



Wiring

- Connect the tamper switch terminals to any Normally Closed (NC) monitor or 24 hour supervision loop requiring an open for an alarm. The tamper may also be wired to one of the DS7100's burglary zones.



Security Systems

BOSCH

