

- Carefully pack the defective unit (the manufacturer cannot be responsible for consequential damage due to shipping or mishandling). Include your return address and complete details as to the nature of the difficulties being experienced and date of installation.
- Return to: Gentex Corporation, 10985 Chicago Drive, Zeeland, MI 49464. Prior to returning, call Gentex @ 1-800-436-8391 or e-mail FP\_RMA@gentex.com to obtain a RMA Number from our return department.

## VII. ELECTRICAL SPECIFICATIONS:

Field Selectable Power Tap Selection						
Voltage	1/8 Watt	1/4 Watt	1/2 Watt	1 Watt	2 Watt	4 Watt
25 Volts	74.6 dBA @ 10ft.	77.7 dBA @ 10ft.	80.5 dBA @ 10ft.	83.1 dBA @ 10ft.	85.6 dBA @ 10ft.	87.9 dBA @ 10ft.
70.7 Volts	73.7 dBA @ 10ft.	76.7 dBA @ 10ft.	79.6 dBA @ 10ft.	82.5 dBA @ 10ft.	85.4 dBA @ 10ft.	87.9 dBA @ 10ft.

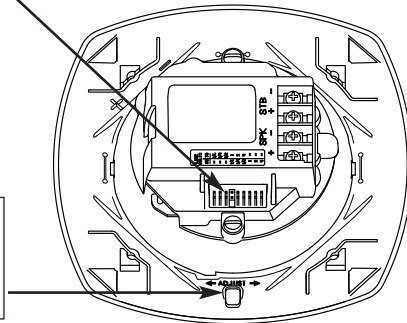
Adjust power taps using needle nose pliers.

### SSPKCLP FIELD SELECTABLE CANDELA SELECTOR

Ceiling Strobe Current Ratings*		
Candela	Regulated 24VDC Max. Operating Current(mA)	Regulated 24VFWR Max. Operating Current (mA)
15	120mA	183mA
30	130mA	190mA
75	272mA	374mA
95	318mA	439mA
115	360mA	494mA

Adjust intensity by inserting small flatblade screwdriver to turn dial. Displayed number will indicate selected candela.

**NOTE:** Field selectable options of 15, 30, 75, 95 and 115 candela.



**Note:** DC Voltage Range Limits: 16-33v. FWR Voltage Range Limits: 16-33v. This product was only tested to the stated voltage range(s); do not apply 80% and 110% of this range for system operation.

\* Speaker Strobes are synchable using the Gentex AVSM Synchronization Module.

### LIMITED WARRANTY

For a period of 36 months from the date of purchase, or a maximum of 42 months from the date of manufacture, Gentex warrants to you, the original purchaser, that your appliance will be free from defects in workmanship, materials, and construction under normal use and service. If a defect in workmanship, materials, or construction should cause your appliance to become inoperable within the warranty period, Gentex will repair your appliance or furnish you with a new or rebuilt replacement appliance without charge to you except for postage required to return the appliance to us. Gentex will not reimburse you for repairs or replacement parts provided by other parties. Your repaired or replacement appliance will be returned to you free of charge and it will be covered under this warranty for the balance of the warranty period.

This warranty is void if our inspection of your appliance shows that the damage or failure was caused by abuse, misuse, abnormal usage, faulty installation, improper maintenance, or repairs other than those performed by us.

ANY WARRANTIES IMPLIED UNDER ANY STATE LAW, INCLUDING IMPLIED WARRANTIES OF MERCHANTABILITY OR FITNESS FOR A PARTICULAR PURPOSE, APPLY ONLY FOR THE WARRANTY PERIOD SPECIFIED ABOVE. PLEASE NOTE THAT SOME STATES DO NOT ALLOW LIMITATIONS ON HOW LONG AN IMPLIED WARRANTY LASTS, SO THE ABOVE EXCLUSION MAY NOT APPLY TO YOU.

GENTEX WILL NOT BE LIABLE FOR ANY LOSS, DAMAGE, INCIDENTAL OR CONSEQUENTIAL DAMAGES OF ANY KIND ARISING IN CONNECTION WITH THE SALE, USE OR REPAIR OF THIS APPLIANCE. THE MAXIMUM LIABILITY OF GENTEX SHALL NOT IN ANY CASE EXCEED THE PURCHASE PRICE PAID BY YOU FOR THE APPLIANCE. PLEASE NOTE THAT SOME STATES DO NOT ALLOW THE EXCLUSION OR LIMITATION OF INCIDENTAL OR CONSEQUENTIAL DAMAGES, SO THE ABOVE EXCLUSION MAY NOT APPLY TO YOU.

If a defect in workmanship, materials, or construction should cause your appliance to become inoperable within the warranty period, you must return the appliance to Gentex postage prepaid. You must also prove to the satisfaction of Gentex the date of purchase of your appliance. Warranty service may only be performed by Gentex personnel at Gentex's facilities in Zeeland, Michigan. You must also pack the appliance to minimize the risk of it being damaged in transit. You must also enclose a return address. Appliances returned for warranty service should be sent to: Gentex Corporation, 10985 Chicago Drive, Zeeland, MI 49464. If we receive an appliance in a damaged condition as the result of shipping, we will notify you and you must file a claim with the shipper.

THIS WARRANTY GIVES YOU SPECIFIC LEGAL RIGHTS AND YOU MAY ALSO HAVE OTHER RIGHTS WHICH VARY FROM STATE TO STATE.

#### Important Notice:

These materials have been prepared by Gentex Corporation ("Gentex") for informational purposes only, are necessarily summary, and are not purported to serve as legal advice and should not be used as such. Gentex makes no representations and warranties, express or implied, that these materials are complete and accurate, up-to-date, or in compliance with all relevant local, state and federal laws, regulations and rules. The materials do not address all legal considerations as there is inevitable uncertainty regarding interpretation of laws, regulations and rules and the application of such laws, regulations and rules to particular fact patterns. Each person's activities can differently affect the obligations that exist under applicable laws, regulations or rules. Therefore, these materials should be used only for informational purposes and should not be used as a substitute for seeking professional legal advice. Gentex will not be responsible for any action or failure to act in reliance upon the information contained in this material.

GENTEX CORPORATION  
10985 CHICAGO DRIVE, ZEELAND, MI 49464  
PHONE: 1-800-436-8391  
www.gentex.com

550-0385-C

12-01-05

**GENTEX CORPORATION**

**SSPKCLP SERIES**



UL 1971 COMPLIANT  
UL 1480 COMPLIANT

A Smarter Vision®

**UNIVERSAL MOUNT LOW PROFILE SPEAKER  
AND CEILING MOUNT LOW PROFILE SPEAKER/STROBE**

## Installation Instructions- Owner's Information

### MODELS

SSPKCLP\*.....LOW PROFILE CEILING OR WALL MOUNT SPEAKER WITHOUT STROBE  
SSPK24CLP\*.....LOW PROFILE CEILING MOUNT SPEAKER WITH SELECTABLE STROBE  
\* Includes one or more of the following designators, P (plain), R (red) or W (white).

### I. INTRODUCTION

The Gentex SSPKCLP Series is a high quality speaker and speaker/strobe. The SSPKCLP Series is UL Listed for fire protective service. The high intensity strobe utilizes a Xenon flash tube which generates a high-intensity light visible from all sides. The strobe is UL Listed in compliance with UL 1971, Signaling Appliances for the Hearing Impaired.

### II. PRODUCT INFORMATION

The SSPKCLP Series speaker and speaker/strobe offer a choice of field selectable power taps, 1/8, 1/4, 1/2, 1, 2 and 4 Watts for either 25v or 70.7v audio amplifiers. The speaker/strobe offers the option of a high intensity strobe which complies with UL 1971. The frequency range of the speakers is 400-4000Hz. All devices are suitable for line supervision. Speaker includes DC blocking capacitor which allows for supervision voltage of either polarity.

### III. LOCATION

This appliance is intended for use in Fire Alarm Systems and is to be installed in accordance with this installation manual, the recommendation of the local authorities having jurisdiction, and other NFPA Standards that provide standards on notification appliances for protective signaling systems. The Gentex SSPKCLP Series is intended for indoor installation only. This appliance is not listed for outdoor or drip proof applications.

**WARNING!** Visual signal must be in the direct viewing area of the occupant in order to be seen.  
**WARNING!** Visual signal can not be seen when objects such as doors, furniture or walls block visual signal.

**NOTICE:** Visual signals for the hearing impaired are only one method of alerting the hearing impaired. Visual signals may not be the preferred method for notifying all hearing impaired individuals.

Room Spacing for Ceiling-Mounted Visible Appliances per NFPA 72, 2007 Edition				
Maximum Room Size		Minimum Required Light Output (Effective Intensity, Cd; One Light)		
		Maximum Ceiling Height		
Meters	Feet	10 Foot Ceiling	20 Foot Ceiling	30 Foot Ceiling
6.10 x 6.10	20 x 20	15	30	55
9.14 x 9.14	30 x 30	30	45	75
13.4 x 13.4	44 x 44	75	75	NA
15.2 x 15.2	50 x 50	95	95	95

#### \*\*Effective Intensity Requirements for Sleeping Area

##### Visible Notification Appliance

Distance from Ceiling to Top of Lens	Intensity
greater than or equal to 24" (610mm)	110 Cd
less than 24" (610mm)	177 Cd

**WARNING!** Visual signal must be installed within 16 feet of the pillow when used in a sleeping area.

**WARNING! Visual signal must be installed within 16 feet of the pillow when used in a sleeping area.**

**WARNING!** Visual signal must be in the direct viewing area of the occupant in order to be seen.

**WARNING!** Visual signal can not be seen when objects such as doors, furniture or walls block visual signal.

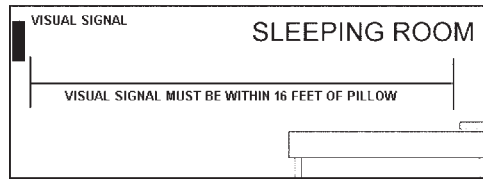
**NOTICE:** Visual signals for the hearing impaired are only one method of alerting the hearing impaired. Visual signals may not be the preferred method for notifying all hearing impaired individuals.

**NOTICE:** The visual signal must be seen by the sleeping person. If the person has head turned or otherwise unable to be alerted by visual, the visual signal will not be effective.

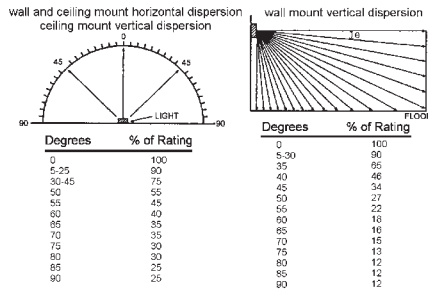
**WARNING** Visual Signal should **NEVER** be relied upon as the primary fire alert for the hearing impaired under these common sense conditions:

- Sleeping face down on the bedding or pillow
- Use of sleep medications of any kind
- Use of alcoholic beverages or recreational drugs
- Use of eye shades
- If there are tendencies of deep sleep conditions
- If a fire cuts power to AC circuits, the visual signal will not operate
- If person is not within line of sight of visual signals

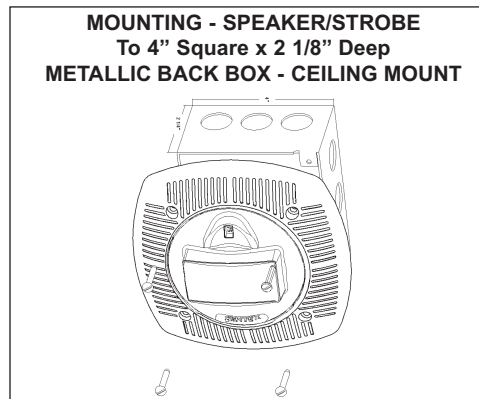
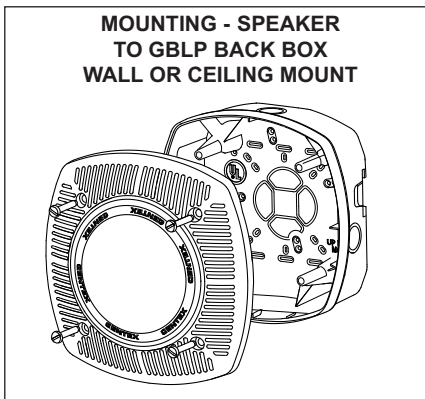
Under these and other similar common situations an alternate fire alert method such as a non-hearing impaired attendant is needed. The visual signal only increases the chance of being alerted to the presence of fire. No system of this type can fully protect the hearing impaired in case of fire.



#### LIGHT OUTPUT IN PERCENTAGE WHEN MEASURED FROM THE FOLLOWING DIRECTIONS - PER UL1971



#### IV. MOUNTING ROUGH-IN BOX AND RUN WIRING

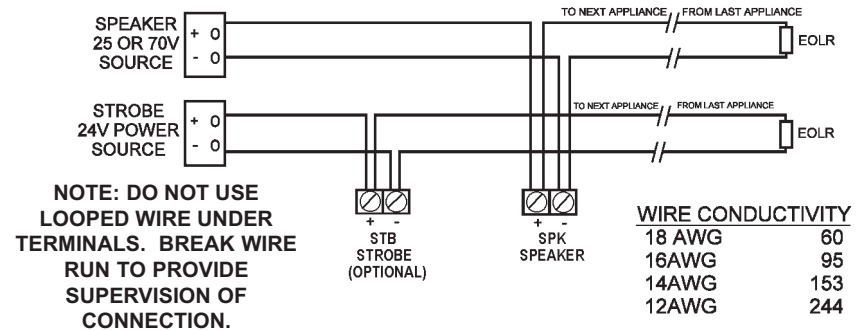


#### SYSTEM CONSIDERATIONS

- To select the proper wattage input for the speaker, move the jumper to the appropriate pin.
- Always maintain electrical isolation between speaker and strobe wiring on combination units.
- Do not exceed 130% of rated speaker voltage. If excessive distortion is heard, check amplifier for signal clipping. If clipping exists, reduce either amplifier input or gain.
- Four screws are provided, two for securing speaker to the backbox and two for aesthetics. The two non-functional screws will be held in place by the pressure fit of the faceplate.

**CAUTION**  
WHEN INSTALLING, ROUTE FIELD WIRING AWAY FROM SHARP PROJECTIONS, CORNERS AND INTERNAL COMPONENTS.

NOTE: Strobes are not recommended for use on coded or pulsing signaling circuits.



\*MAX. WIRE DISTANCE (IN FEET) =  $\frac{\text{PANEL VOLTAGE} - \text{DEVICE MINIMUM VOLTAGE}}{\text{TOTAL CURRENT DRAW}} \times \text{WIRE CONDUCTIVITY (STROBE ONLY)}$

\* INCLUDES WIRE TO AND FROM APPLIANCE.  
ASSUMES ALL APPLIANCES ARE AT THE END OF WIRE RUN (WORST CASE).  
**CAUTION: APPLIES ONLY TO REGULATED SUPPLIES.**

#### V. CHECKOUT AND TROUBLESHOOTING

- Supply power to the system control panel. The auxiliary signaling device should not be activated.
- If the signal is activated:
  - Check all smoke and fire detectors in the system to make sure they have not been activated.
  - Check all wiring connections to make sure the signal detection circuits are not reversed or shorted together. Check wire color codes and traces.
- To test the SSPKCLP Series and other signaling appliances, trip the auxiliary panel, activate alarm circuit at the main control panel or activate one of the fire detection units in the system. All auxiliary signals should be activated.
- An operational test on this product should be conducted in accordance with National Standards or at a minimum annually and more often if dictated by local and state codes or authorities having jurisdiction.

#### SIGNALING APPLIANCE LIMITATIONS:

Your speaker meets or exceeds current audibility requirements of Underwriters Laboratories. However, if the appliance is located outside a bedroom it may not wake up a sound sleeper, especially if the room door is closed or only partially open.

**WARNING**  
THIS APPLIANCE WILL NOT OPERATE WITHOUT ELECTRICAL POWER. AS FIRES FREQUENTLY CAUSE POWER INTERRUPTIONS, GENTEX SUGGESTS YOU DISCUSS FURTHER SAFEGUARDS WITH YOUR LOCAL FIRE PROTECTION SPECIALIST.

#### VI. TO RETURN A UNIT

Should you experience problems with your SSPKCLP Series unit, proceed as follows:

- Turn off electrical power to the auxiliary alarm circuit.
- Unscrew the unit from the mounting box.
- Disconnect the unit from the field wiring. Reconnect the two positive supply voltage circuits (red wires) and the two negative supply voltage circuits (black wires) of the auxiliary alarm circuit to maintain power to the other auxiliary alarm appliances in the audio system.