

MB-FS / MB-WS

Fire Phone Station / Warden Station

The MB-FS is a Fire Phone Station designed to integrate with an BOSCH HMB system. The cabinet is red and can be either surface mounted or semi-flush mounted. A thumbturn fastener secures the cabinet door. The WS is similar to the FS, and is equipped with an armored cable assembly.

When the handset goes off-hook, the status LED illuminates, and the device will “ring in” at the HMB-MP Master Panel. When the Master Panel operator connects the call, 2 way communication is established between the Phone Station and Master Panel. The call can be terminated either by returning the handset to the cradle, or by the Master Panel operator disconnecting the switch.

Field wiring connections:
 #6-32 wire clamp screw 14-18 AWG
 #8-32 wire clamp screw 12-18 AWG
 Horizontal wire entry terminal 18-26 AWG
 Wire gauge determined by circuit load

TB1:

Ter. 1 Fire Phone Circuit + (Tip)
Ter. 2 Fire Phone Circuit - (Ring)

TB2:

Ter. 1 to handset (white wire)
Ter. 2 to handset (white wire)
Ter. 3 to handset (black wire)
Ter. 4 to handset (red wire)

TB3:

Ter. 1 to hook switch
Ter. 2 to hook switch

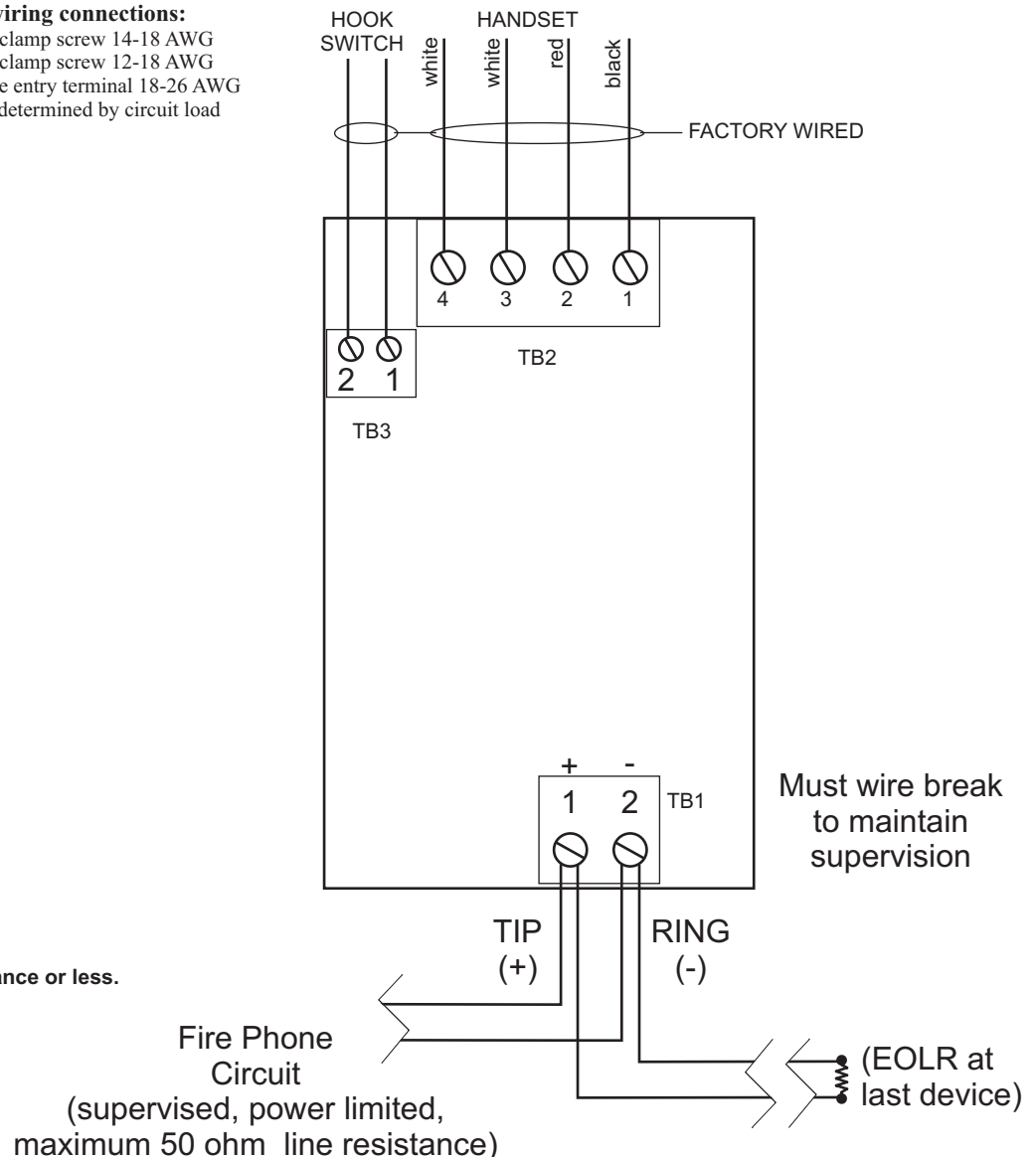
LED1:

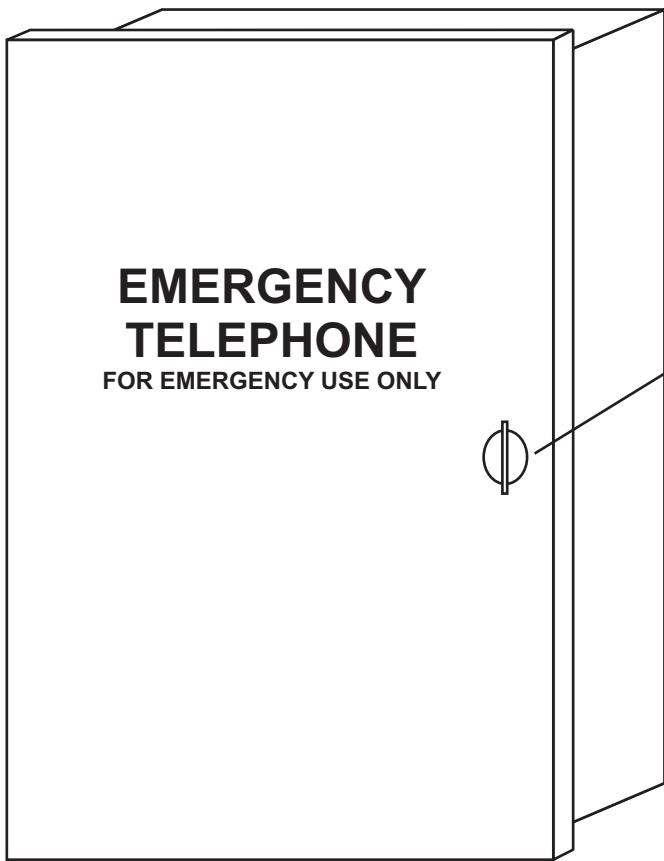
LED 1 Status

Electrical Ratings:

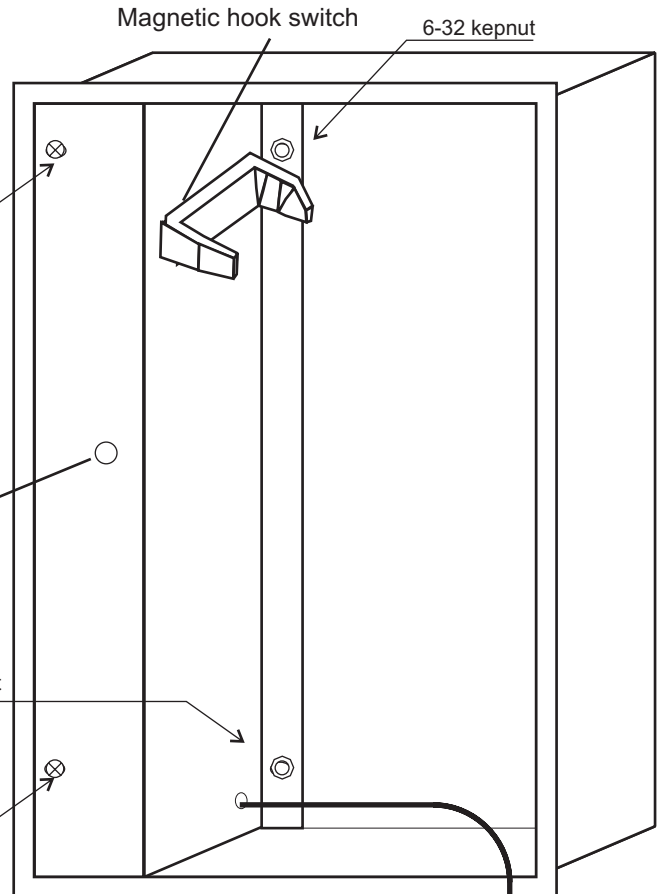
Power: 24VDC
Standby: 0 mA
Active: 25 mA

Ground faults are indicated at 10K impedance or less.





Thumbturn closure



remove (2) 6-32 screws and
(2) 6-32 kepnuts to access wiring

Field wiring connections:
#6-32 wire clamp screw 14-18 AWG
#8-32 wire clamp screw 12-18 AWG
Horizontal wire entry terminal 18-26 AWG
Wire gauge determined by circuit load

