

D304/D305



Fire Systems

EN | Installation Instructions
Duct Smoke Detector
Accessory Plates

BOSCH

1.0 Description

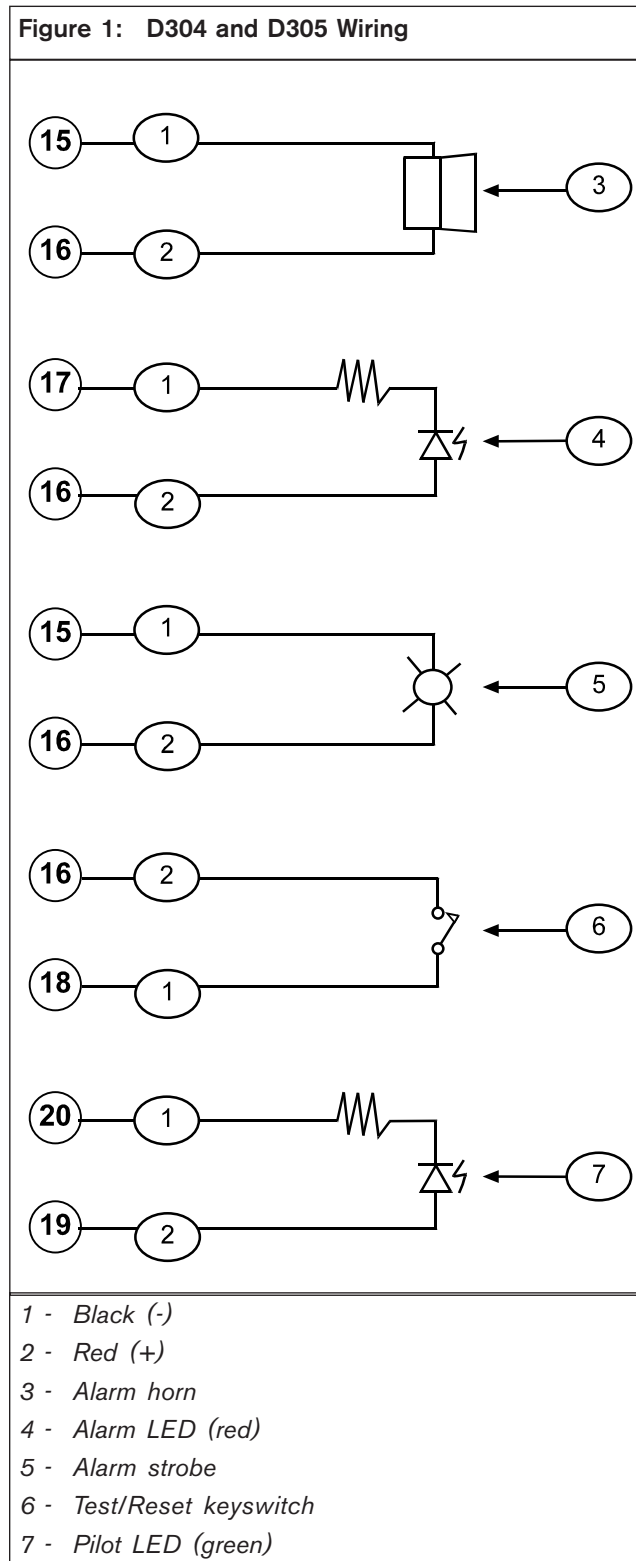
The D304 and D305 Duct Detector Accessory Plates provide remote control, testing, and annunciation for the D300A, D300A-HV, D331A, and D332A Duct Detectors.

Both the D304 and D305 are single-gang remote plates with LEDs for indicating power and alarm (refer to *Table 7*). The D305 also includes a Test/Reset keyswitch.

Table 1: Duct Smoke Detector Accessory Plates	
Model Number	Description
D304	Indicates power and alarm using Alarm and Pilot LEDs.
D305	Indicates power and alarm using Alarm and Pilot LEDs. Also has a Test/Reset feature (keyswitch).

2.0 Wiring Instructions

Figure 1 calls out the screw terminals on the duct detector housing and shows how different indicators are wired to the D304/D305. All power is supplied by the detector.



Notes

Bosch
130 Perinton Parkway
Fairport, NY 14450-9199 USA
Customer Service: (800) 289-0096
Technical Support: (888) 886-6189

© 2004 Bosch
74-07410-000-B



Recyclable

BOSCH