

Installation Guide

1.0 Notice

These instructions cover the installation of the D7032 Eight-Zone LED Annunciator Expander in a fire system supervised by a D7024 Fire Alarm Control Panel (FACP).

Install, test and maintain the D7032 according to these instructions, NFPA 72, Local Codes and the Authority Having Jurisdiction (AHJ). Failure to follow these instructions may result in failure of the device to operate properly. Bosch Security Systems, Inc. is not responsible for improperly installed, tested or maintained devices.



These instructions contain procedures to follow in order to avoid personal injury and damage to equipment.

2.0 Device Description

The D7032 is an eight-zone LED Annunciator expansion module for use with the D7030X Series LED Annunciators.

Note: For proper operation of the D7030X LED Annunciator with the D7024 FACP, make sure that the panel firmware is version 2.0 or greater.

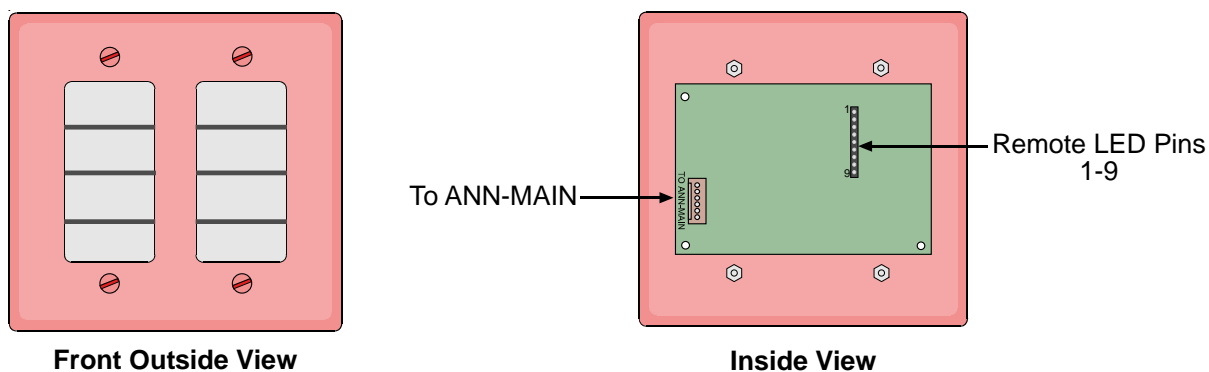


Figure 1: D7032 Eight-Zone LED Annunciator Expander

3.0 Installing the D7032

Note: Make sure all wiring is un-powered before routing. Annunciator wiring cannot be shared within the same cable with multiplex, telephone or notification appliance wiring.

Use the supplied cable to connect the D7032 to the D7030X. See Figure 2 for details.

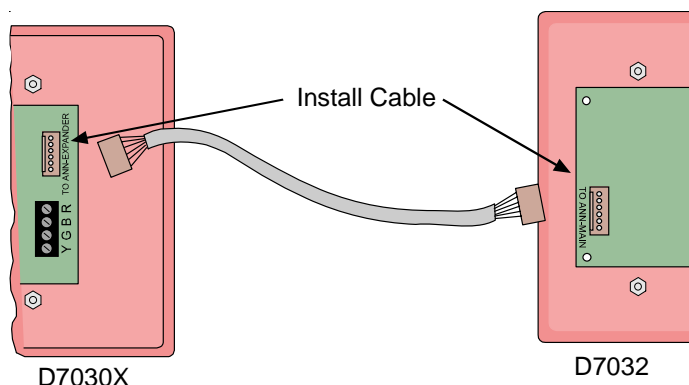


Figure 2: Connecting the D7032 to the D7030X

Note: The D7032 must be mounted within 20 ft. (6 m), and in the same room as the D7030X LED Annunciator. All wiring must be in conduit.



Set the LED jumpers on the D7030X as shown in Figure 3 for operation with the D7032.

Note: Set jumpers for 16 LEDs ENABLED and 16 ZONES.

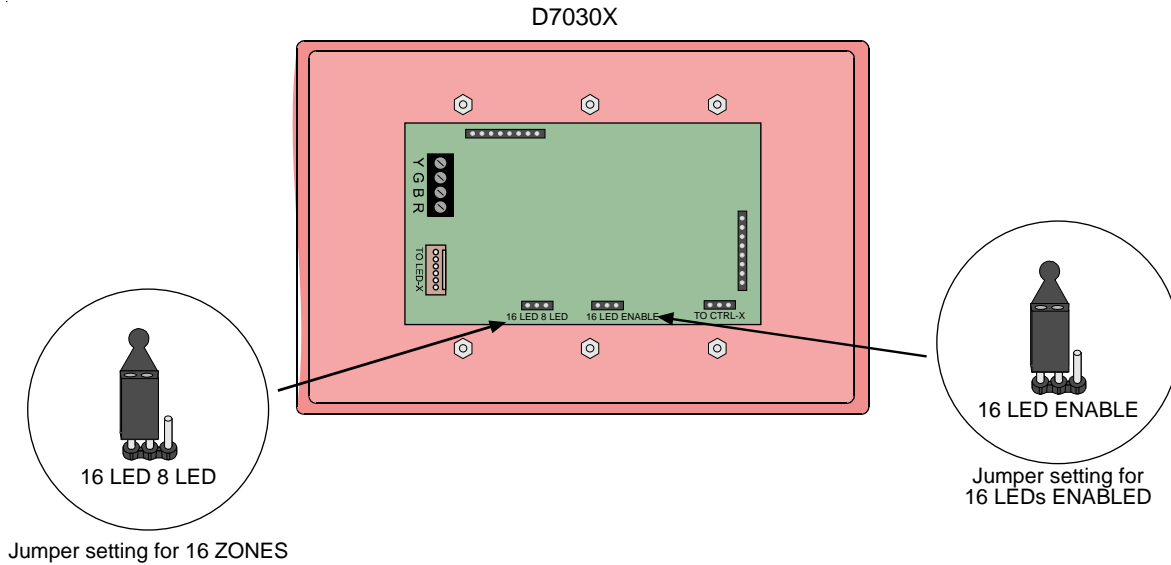


Figure 3: Jumper Settings

4.0 Adding Remote LEDs

External LEDs for remote indication of the individual zones may be added by connecting to the remote LED pins as shown in Figure 4.

Note: Pins 1-8 correspond to D7032 LEDs 1-8 (Zones 9-16).

Note: The current draw for the remote LEDs for any zone cannot exceed 6 mA.

5.0 Mounting the D7032

The D7032 should be mounted to the right of the D7030X and at entry locations in plain view. Remove the faceplate.

Note: Before mounting the D7032 to the back box, the zone labels need to be marked and inserted into their respective slots.

Once the labels are in place, mount the D7032 to the back box. Then place the faceplate in position. Use the supplied screws to secure the D7032 in the back box.

6.0 D7032 Specifications

- **Control Panel Requirements:** Compatible with the D7024 FACP with version 2.0 or greater firmware installed.
- **Operating Voltage:** 12 VDC Nominal
- **Standby Current:** 35 mA
- **Alarm Current:** 175 mA
- **Width:** 4.5 in. (11.4 cm)
- **Height:** 4.5 in. (11.4 cm)
- **Depth:** 1.5 in. (3.8 cm)

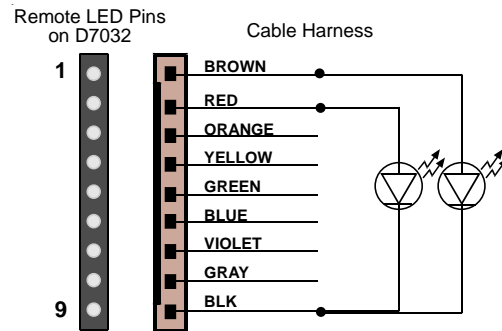


Figure 4: External LED Connections

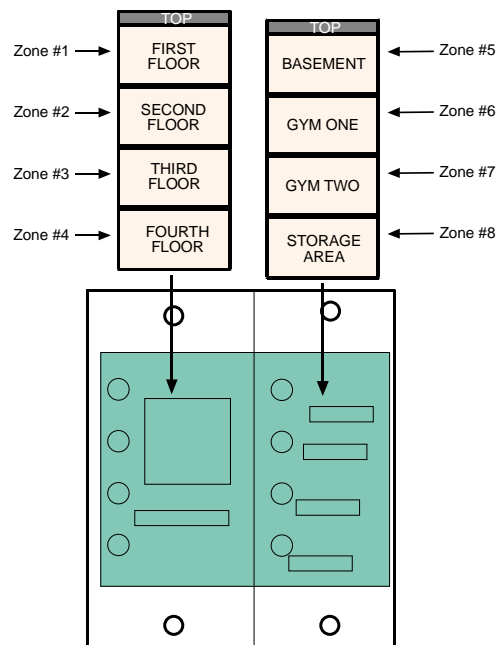


Figure 5: Label Installation