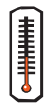
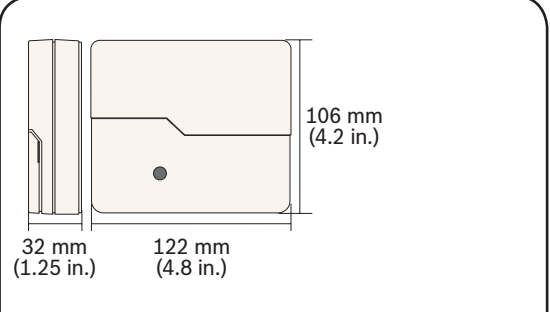
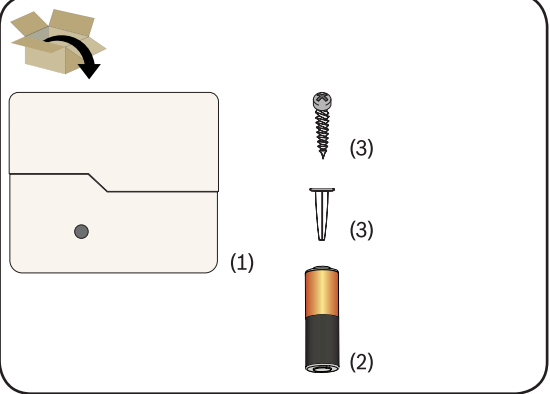


ISW-BGB1-SAX (868 MHz)
ISW-BGB1-SAY (915 MHz)



**wLSN Glass Break Detector
 Installation Instructions**



-10°C - +55°C (+14°F - +131°F)



868 MHz (ISW-BGB1-SAX)
 915 MHz (ISW-BGB1-SAY)



< 95%

ISW-BGB1-SAX (868 MHz):



EN50131-1 Grade 2
 Environmental Class II

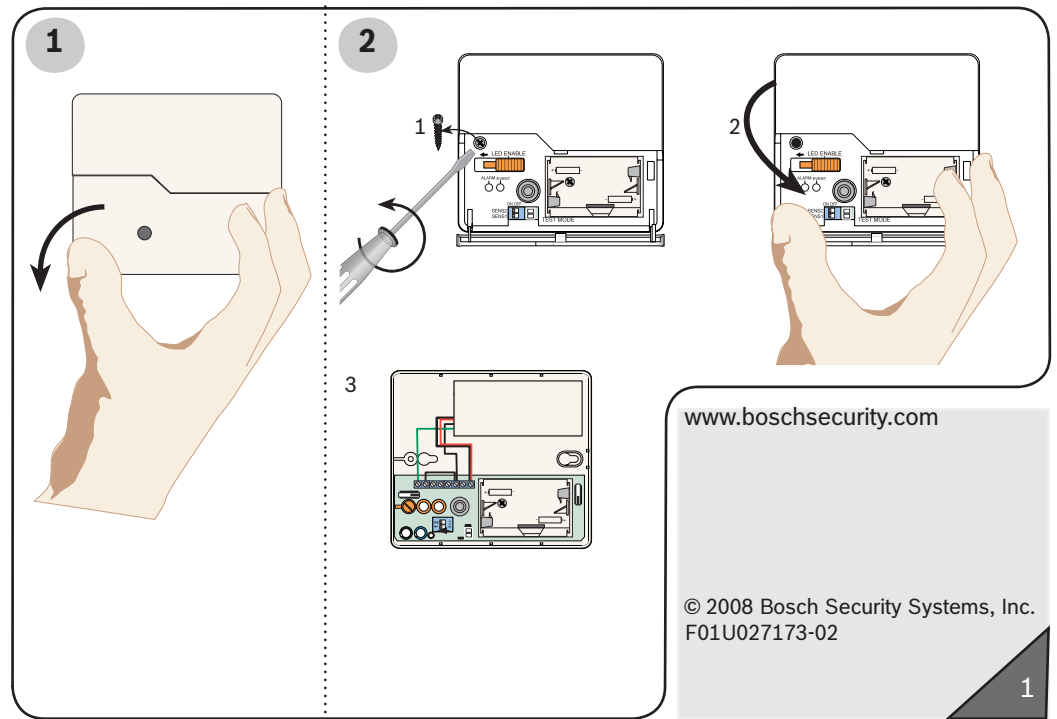
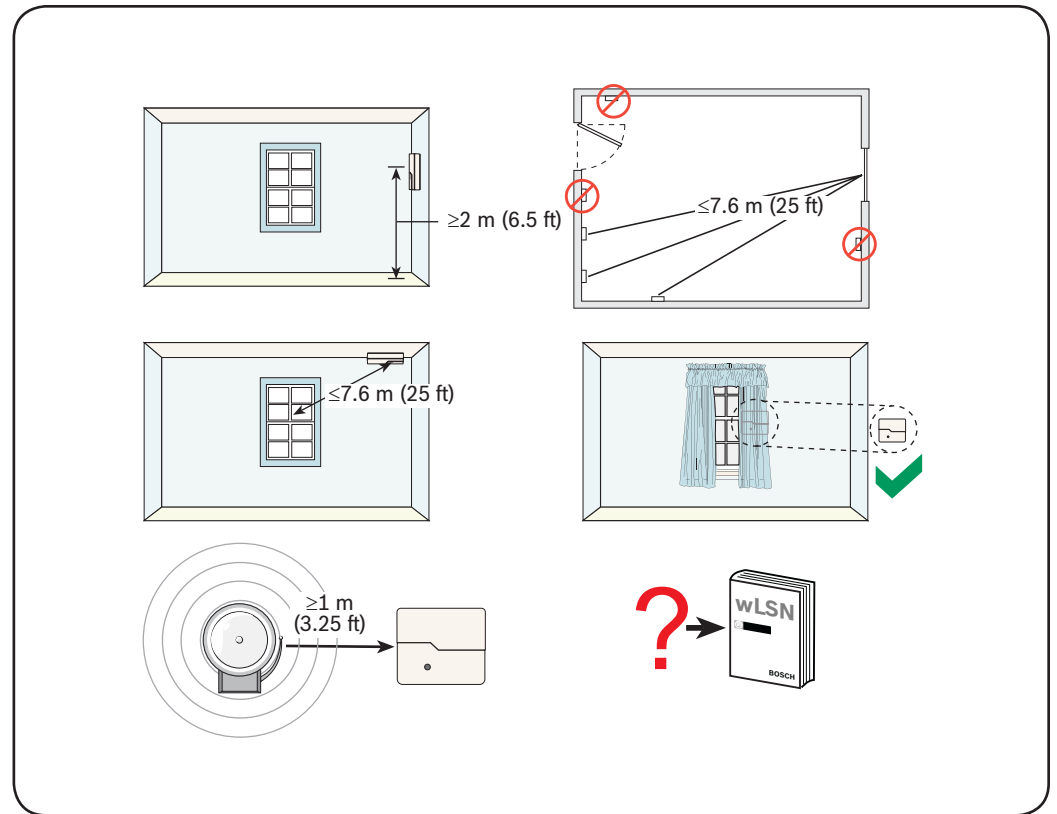
ISW-BGB1-SAY (915 MHz):

FCC, Part 15

IC: Industry Canada RSS-210

UL639: Intrusion Detection Units

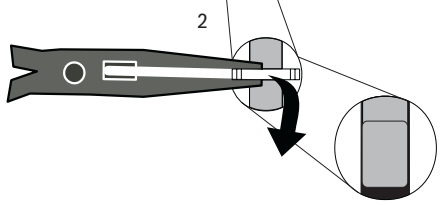
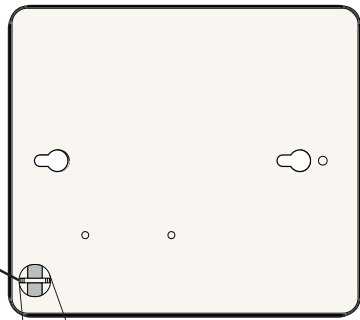
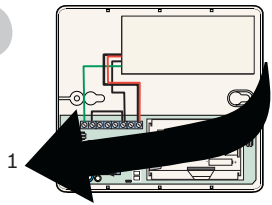
ULC-S306-03: Intrusion Detection Units



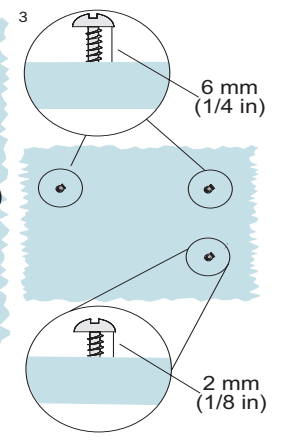
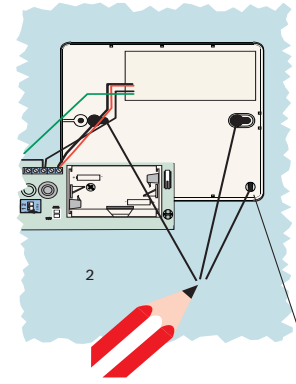
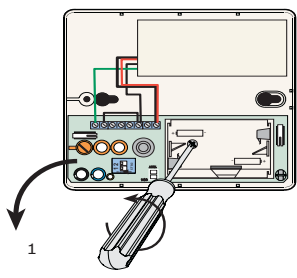
www.boschsecurity.com

© 2008 Bosch Security Systems, Inc.
 F01U027173-02

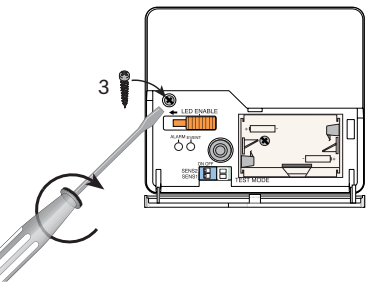
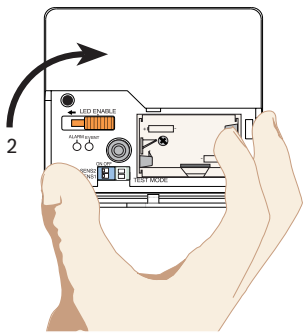
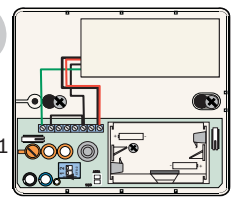
3



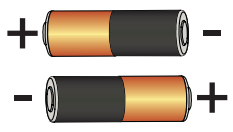
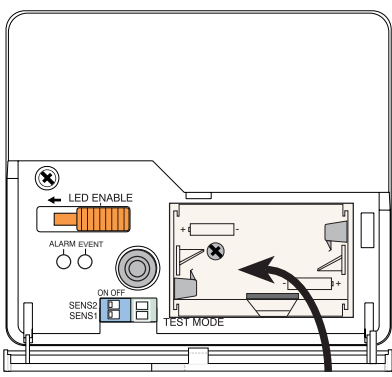
4



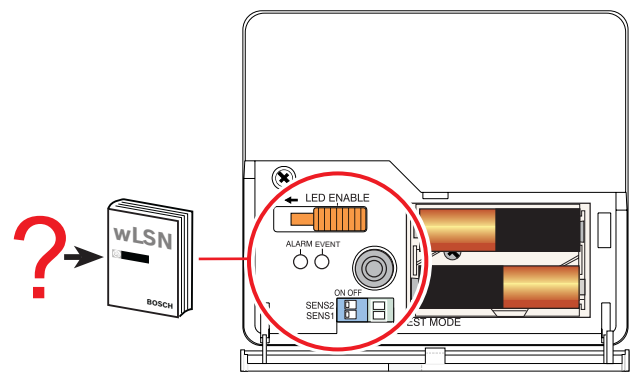
5



6



7



© 2008 Bosch Security Systems, Inc. F01U027173-02

