

Flush Call Point (Indoor version)

The flush call point will mount onto any standard single gang back box with a depth of 25mm or greater. Consideration should be given to the amount of cabling space at the rear of the call point, i.e. a deeper box or spacer eases installation. The flush call point comes complete with a spacer.

Surface Call Point (Indoor version)

The surface mounting call point comes complete with a back box onto which the call point is mounted. There is provision for rear cable entry and by using the template below (FIG.1), cable holes can be drilled into the top or bottom of the back box to accept one (A) or two (B) cable glands – Max dia 20mm (see FIG. 2).

Mechanical Details

Dimensions and Fixing Details: see FIG. 3
 IP-Rating (as per EN 60529): IP54
 Temperature range: -25°C to +65°C
 Housing material: ABS Plastic

Electrical Details

Terminals: In&Out, for cables 0.28 – 2.5mm²
 Operating voltage: 19V DC to 30V DC
 Current consumption: depending on the used fire detection system

FIG. 1 Template for cable glands

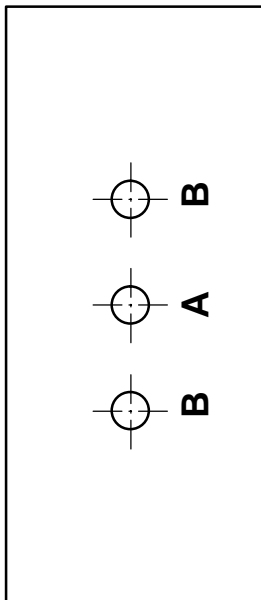


FIG. 2 Installation

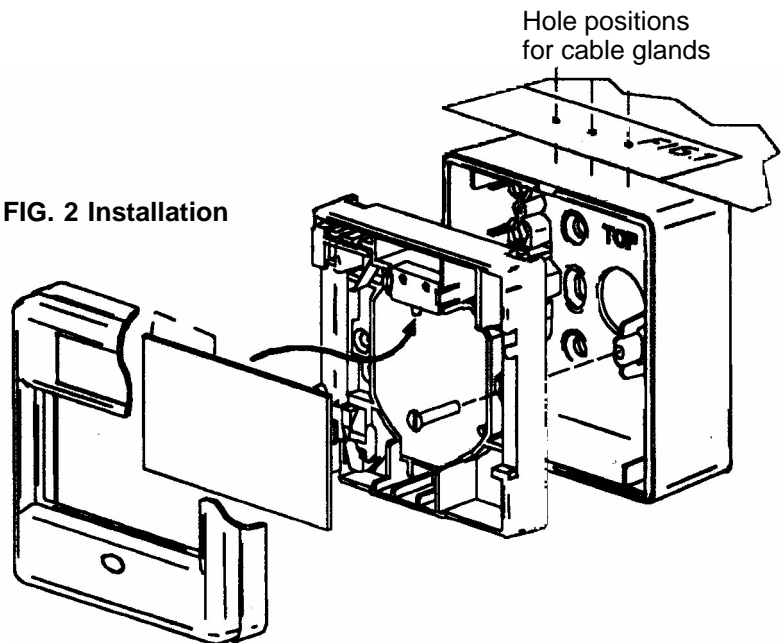
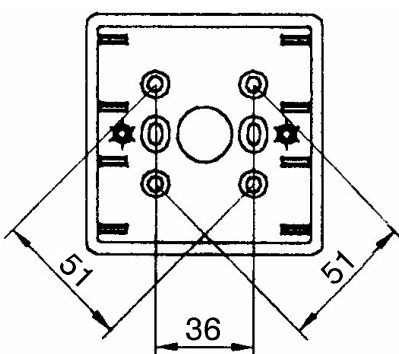
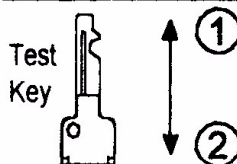
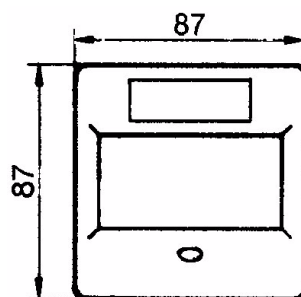


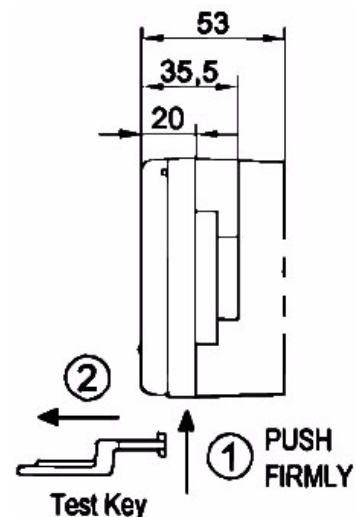
FIG.3 Dimensions [mm]



Installation dimensions



Test & Reset

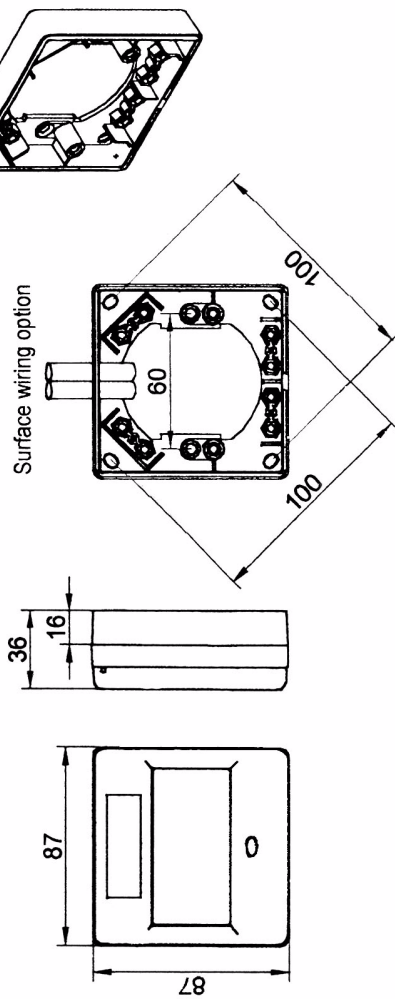


Front cover removal

CALL POINT ACCESSORIES

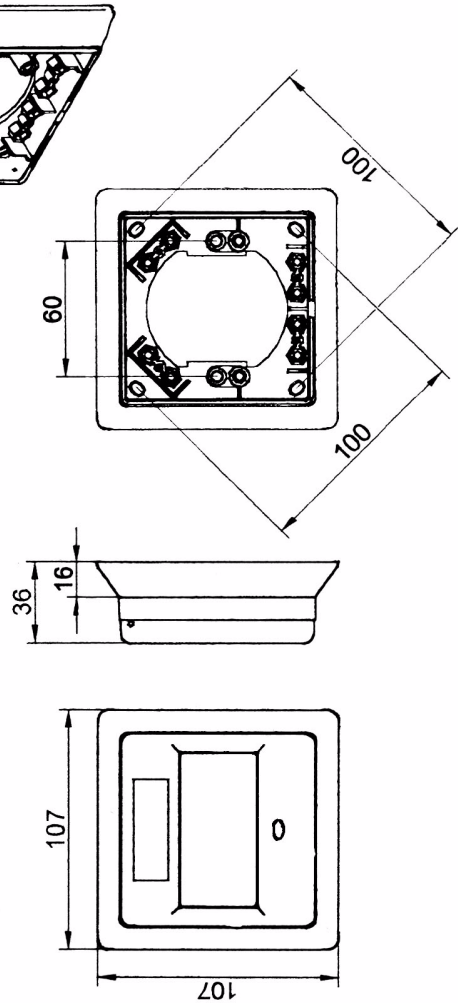
SPACER

The spacer (CXS/O) can be fitted instead of the back box to reduce the depth of the Call Point. It can be mounted to any standard U.K. single gang back box or directly to a wall. Provision has been made for surface wiring (one or two dia.8mm cables max.)



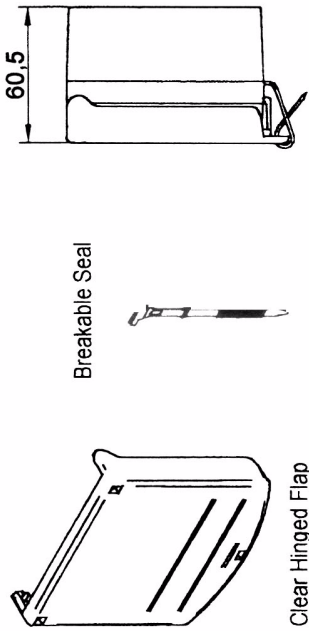
BEZEL

The bezel (CXBZ/O) can be fitted instead of the back box to cover unsightly marks on the wall. It can be mounted to any standard U.K. single gang back box or directly to a wall.



CLEAR HINGED FLAP and BREAKABLE SEAL

These can be fitted to any CX Call point variant. The Clear Hinged Flap gives extra protection from accidental operation. With the Breakable Seal fitted, the Clear Hinged Flap can not be lifted without breaking the seal.



RE-SETTABLE PLASTIC ELEMENT

These can be fitted to any CX Call point variant. The re-settable plastic element and spring replaces the glass element. When the re-settable element is pushed, a visible flag will appear indicating the call point has been activated.

